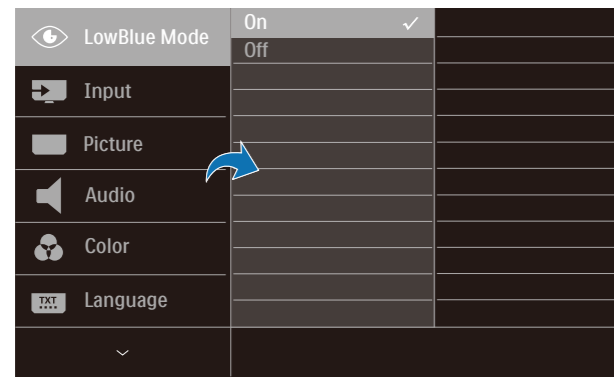
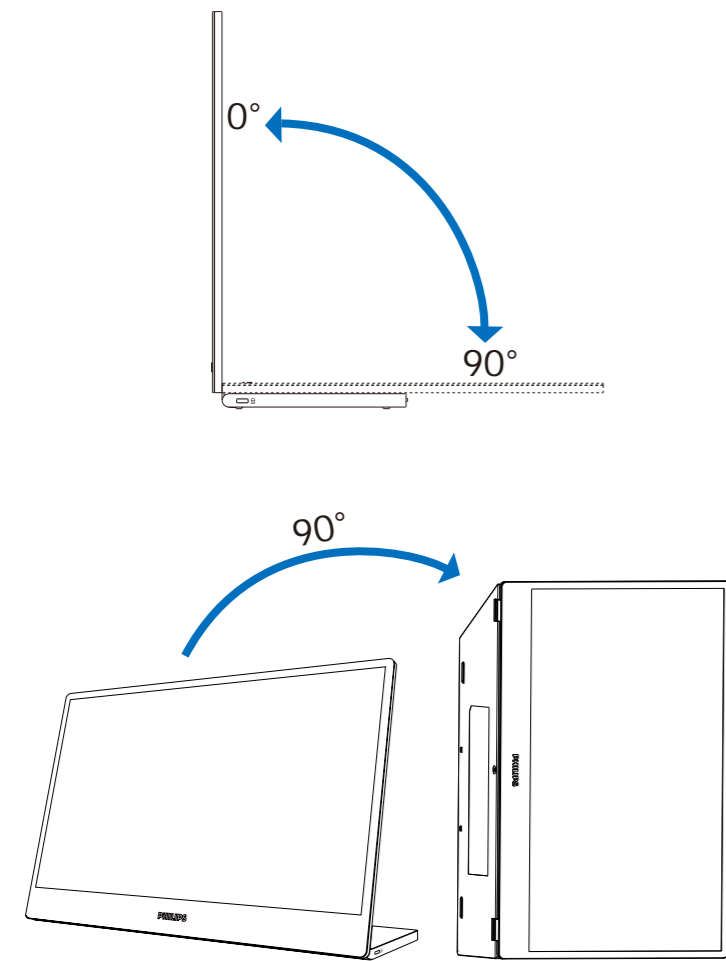


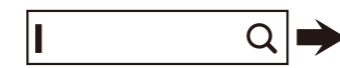
OK



5



Register your product and get support at www.philips.com/support



FAQ

Software SmartControl

User Manual

Energy Labelling

16B1P3302D



Printed in China



F41G16M1813-3A....

Version: M1116BU3302DE1WWL
2022 © TOP Victory Investments Ltd. All rights reserved.

This product has been manufactured by and is sold under the responsibility of Top Victory Investments Ltd., and Top Victory Investments Ltd. is the warrantor in relation to this product. Philips and the Philips Shield Emblem are registered trademarks of Koninklijke Philips N.V. and are used under license.

Specifications are subject to change without notice.

www.philips.com

PHILIPS

Portable Monitor

3000 Series

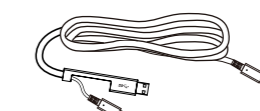
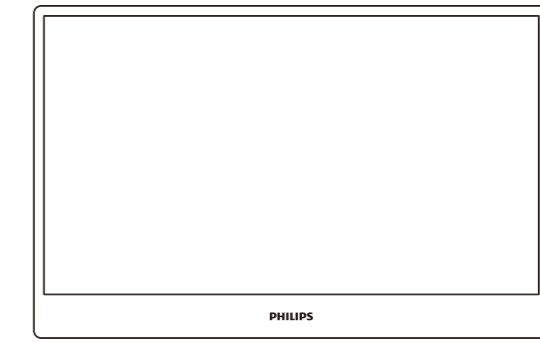


16B1P3302D

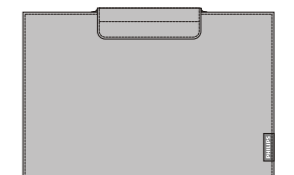
Quick start

Register your product and get support at www.philips.com/welcome

Contents



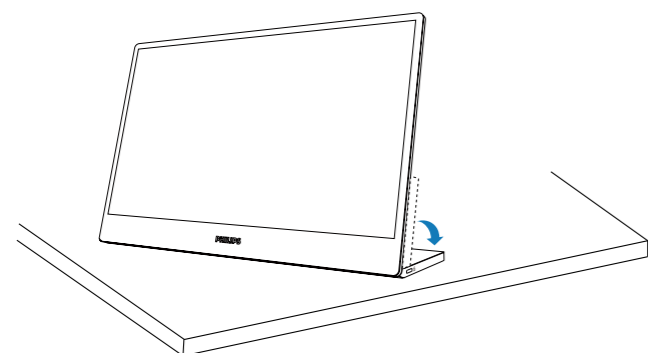
*USB C-C/A



*Protective case

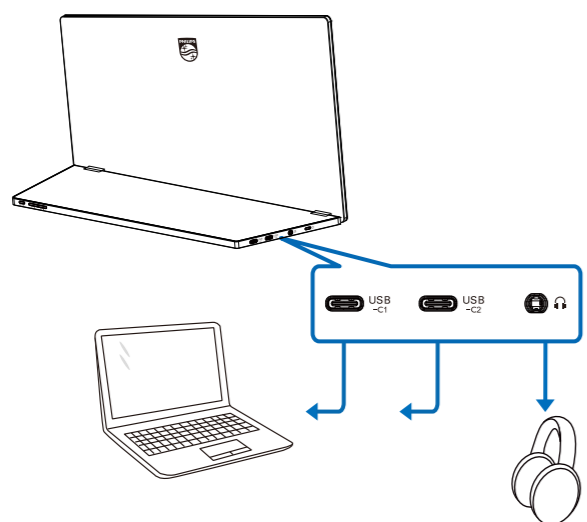
*Different according to region
Display design may differ from that illustrated

1



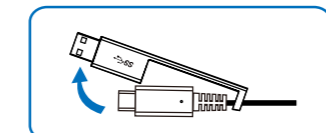
▲ CAUTION: Place the monitor face down on a smooth surface. Pay attention not to scratch or damage the screen.

2

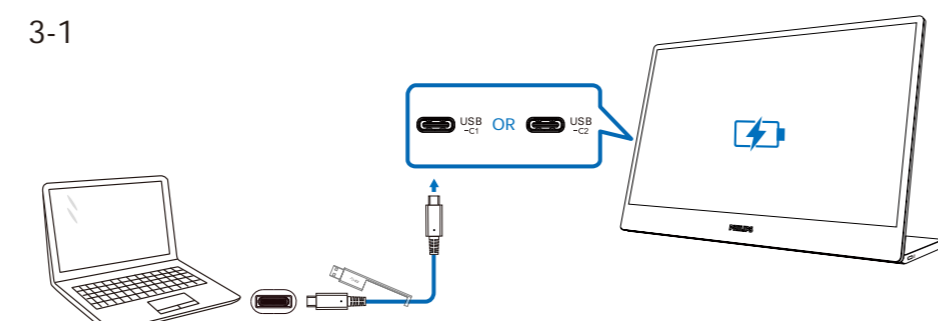


3 Power Delivery

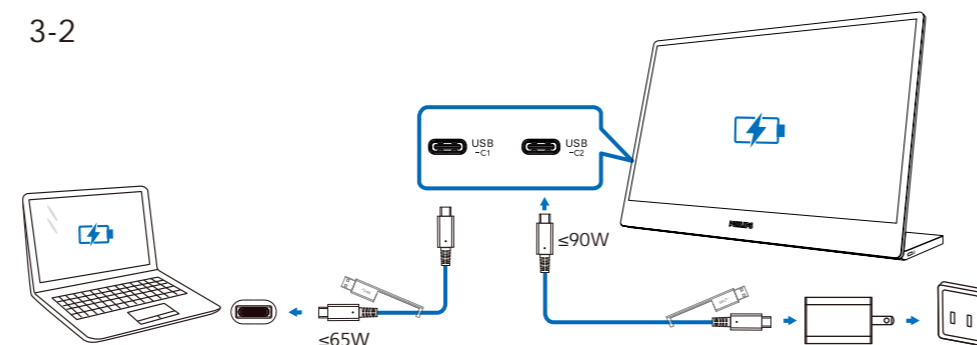
USB C-C



3-1

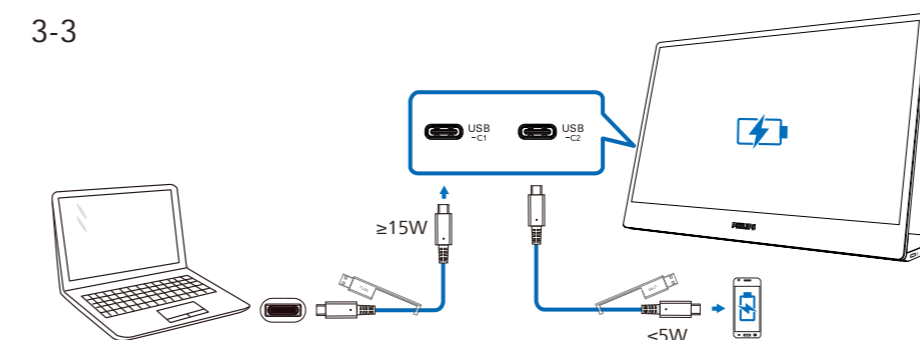


3-2

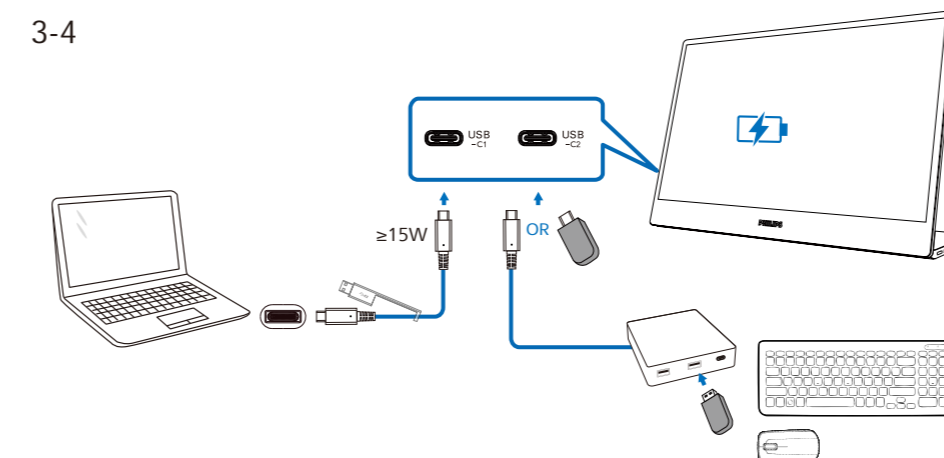


Note : For this model, the only supported adapter is the PD adapter.

3-3



3-4



Note : For more details on connecting to your device, please refer to the user manual.

4

