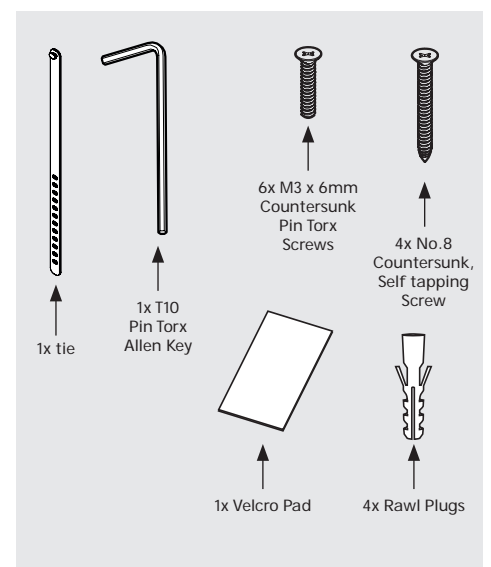
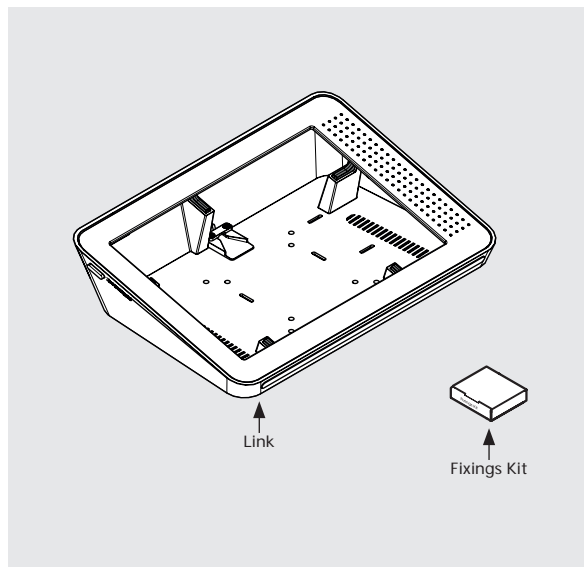


## LINK

### Assembly Instructions

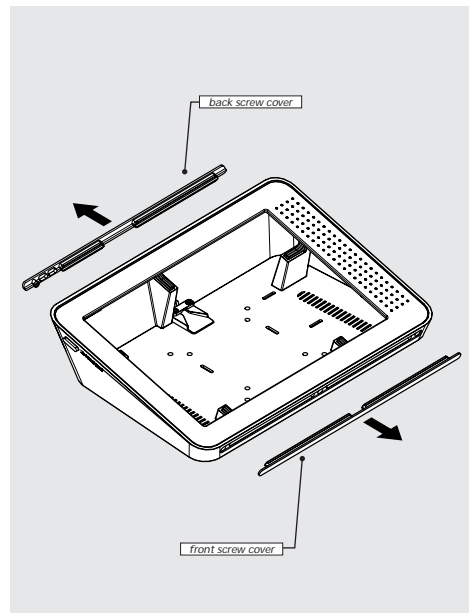
#### Tools Required to Fix From Above:

- Pencil
- Drill + drill bits
- 16mm Hole Saw

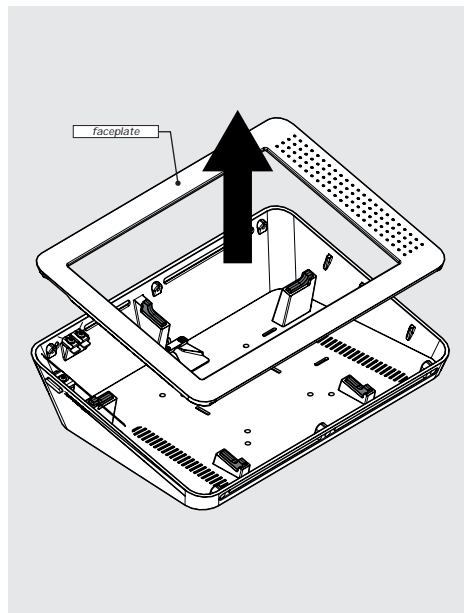


Sheet Code: BP-IM-074\_REV2  
Release Date: 08/04/2022

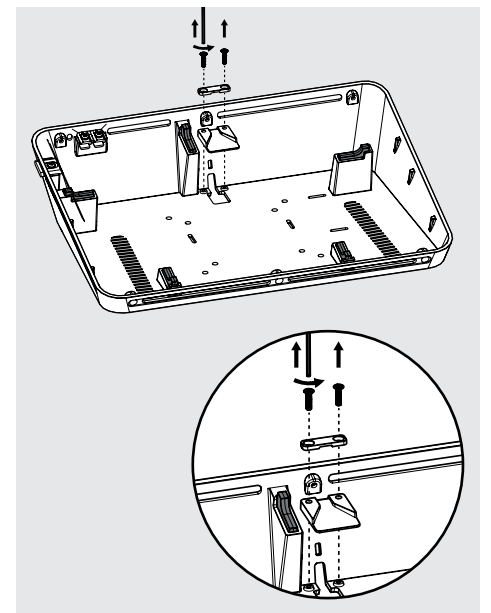
Copyright 2022 Spotspot Ltd. (T/A Bouncepad) all rights reserved. Confidential, no part of this publication may be reproduced or transmitted in any form without the written permission of the copyright holder.



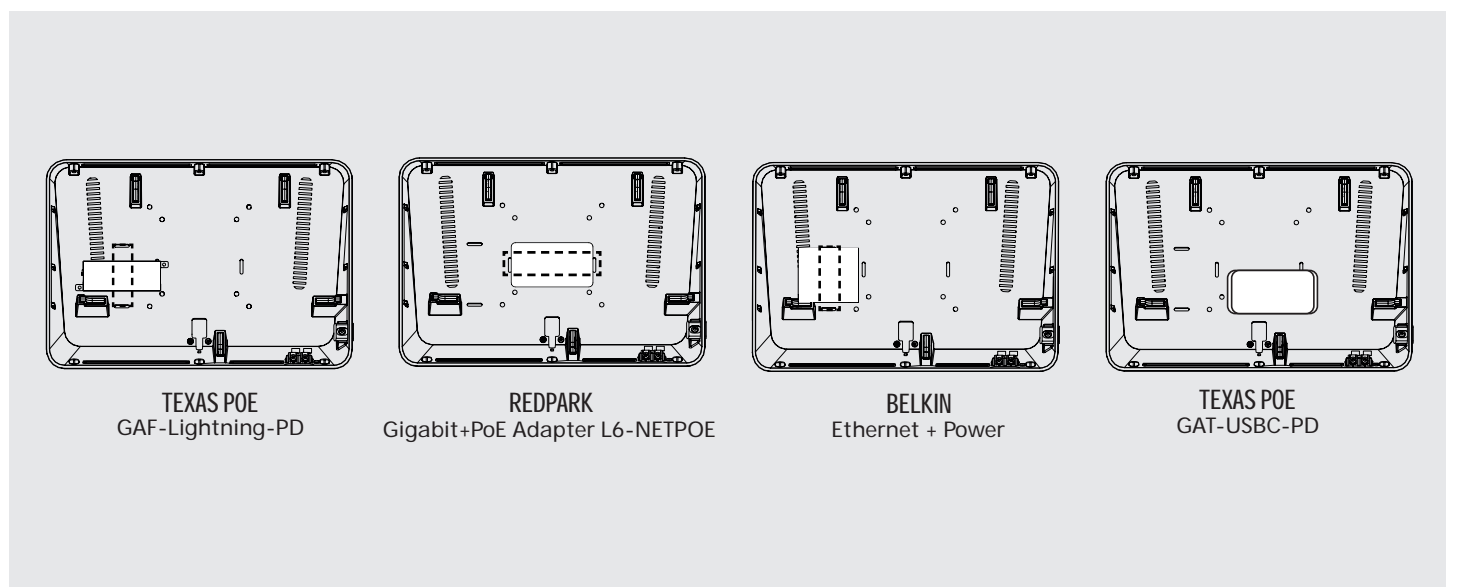
**1** Remove Front and Back Screw Covers.



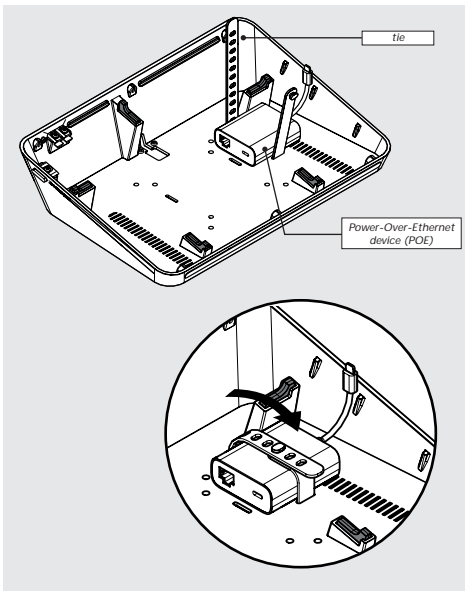
**2** Remove Faceplate.



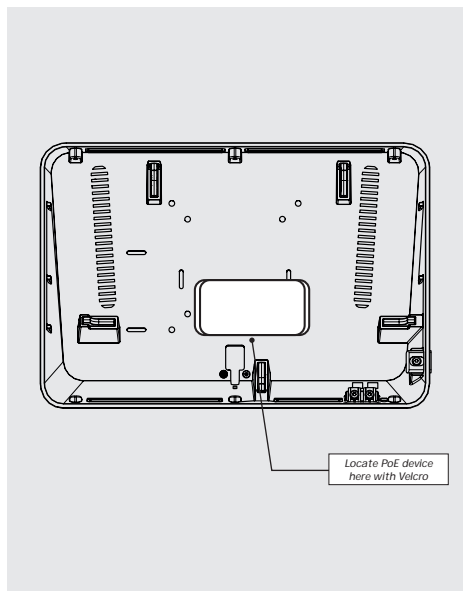
**3** Remove Cable Lock.



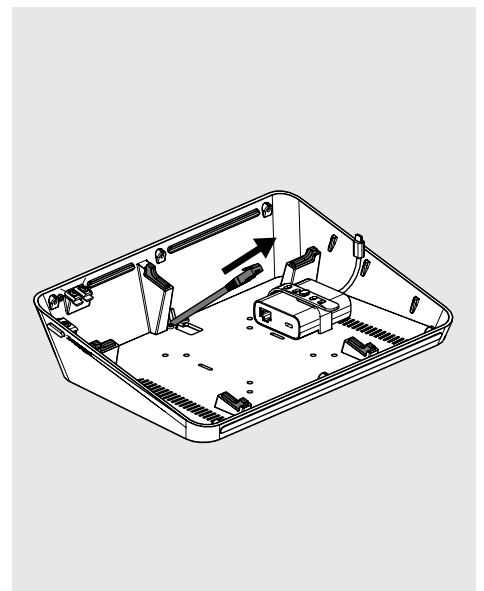
**4** Select your PoE device and note its location in relation to the mounting slots



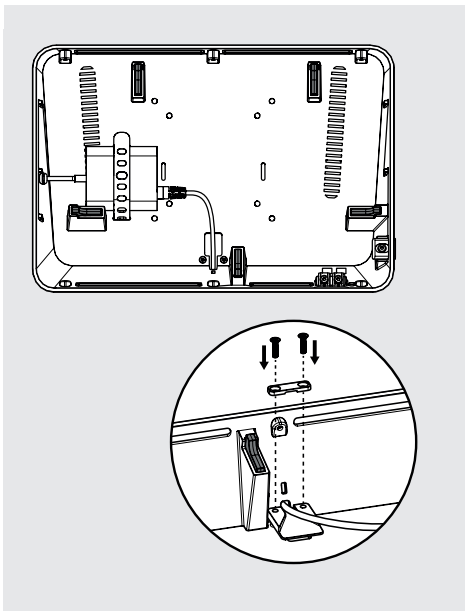
**5** Insert the tie through the cable slots and then clasp over the POE device.



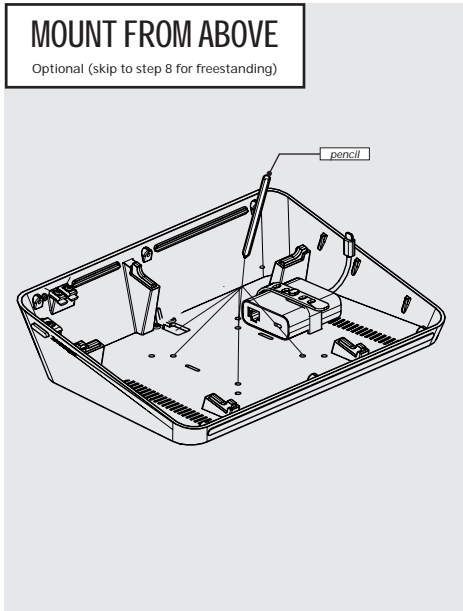
**6** Specifically for Texas PoE GAT-USB-PD use velcro pad for attachment



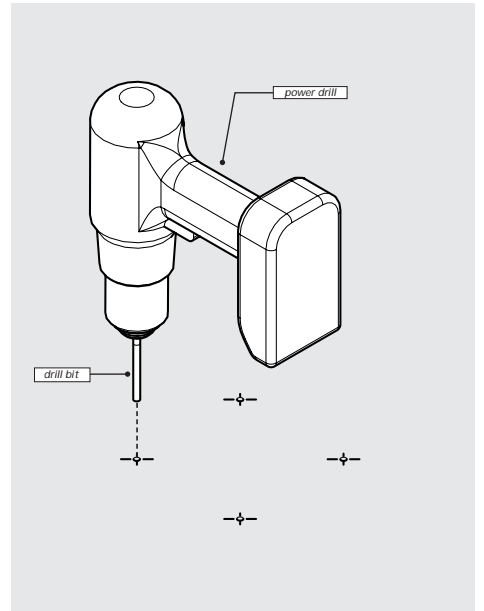
**7** Feed the ethernet cable through the cable exit.



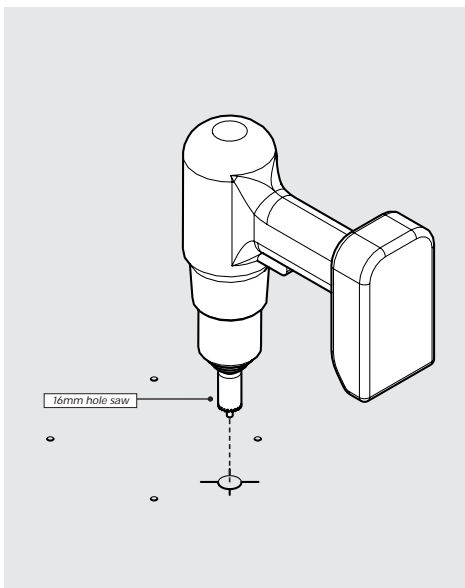
**8** Connect the ethernet cable to the POE and secure the cable with the cable lock.



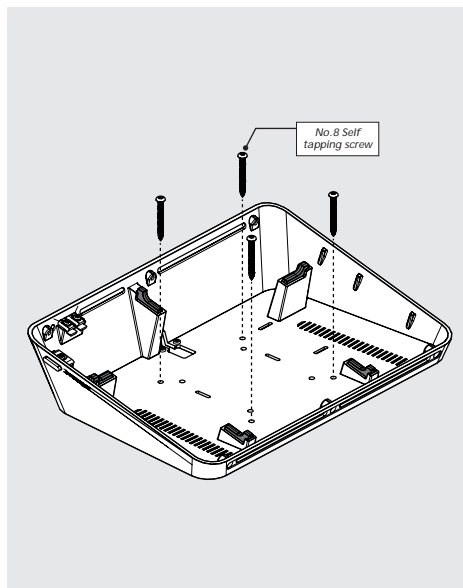
**A1** Use a pencil to mark pilot hole locations.



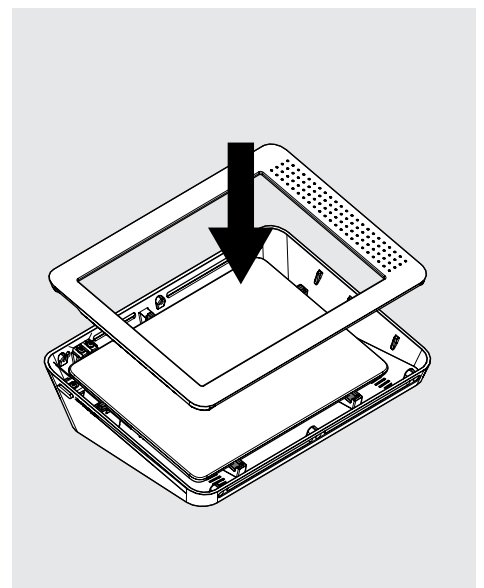
**A2** Use a drill bit suitable for your surface and make 4x pilot holes



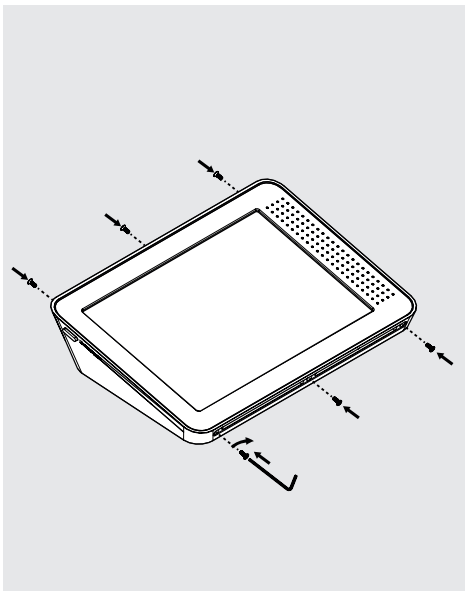
**A3** If running a ethernet or USB cable through the surface use a hole saw in the cable exit position.



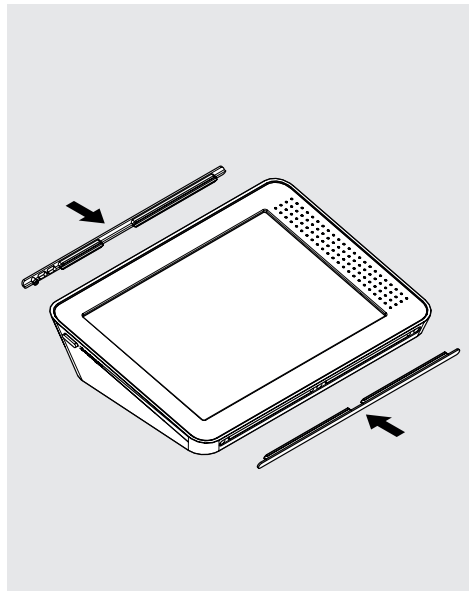
**A4** Secure the Link to the surface with 4x No. 8 Self tapping screws. Rawl plugs are provided if required.



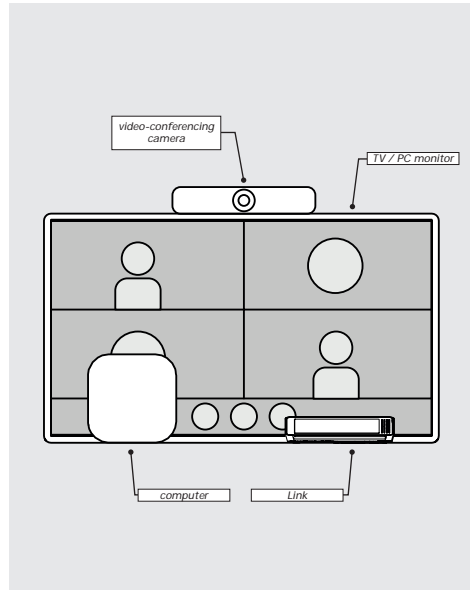
**9** Connect the USB cable to the tablet, then place inside the enclosure. Re-attach the faceplate.



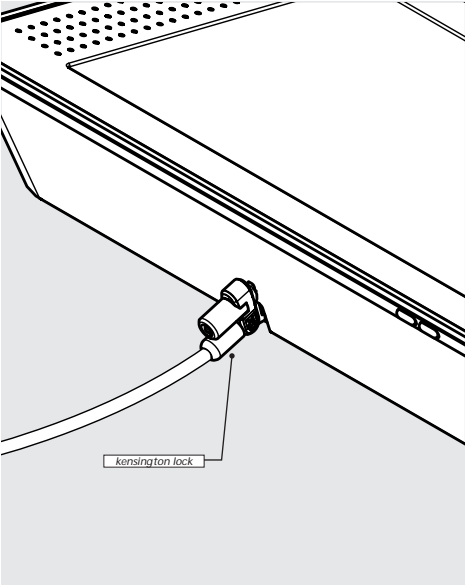
**10** Use 6x M3 Screws to secure faceplate.



**11** Reattach the front and back screw covers



**12** Set up the video-conferencing software and peripherals as per the provider's instructions.



**13** For additional security, tether your Link with a Kensington security cable. \*Security cable not provided.