

LINK

Assembly Instructions

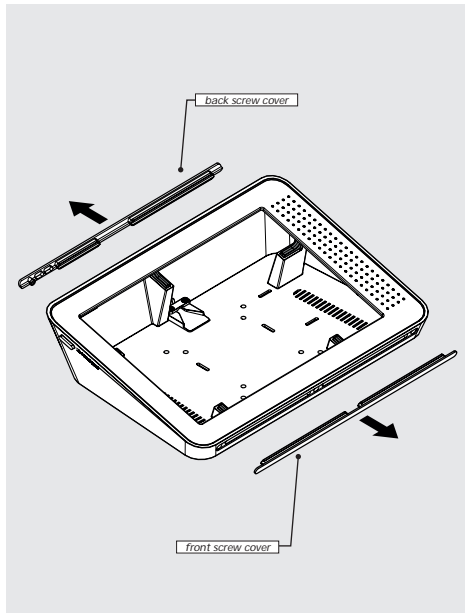
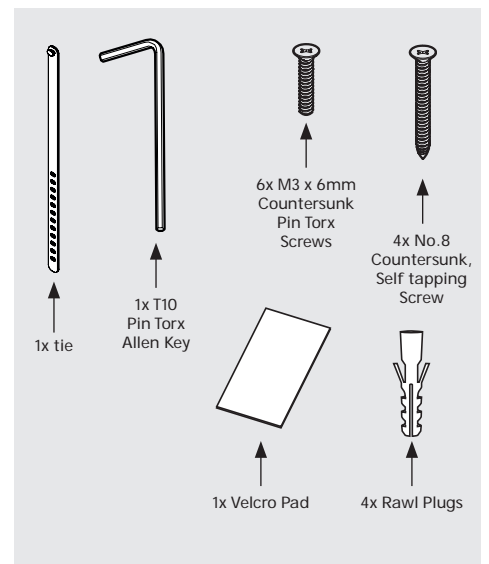
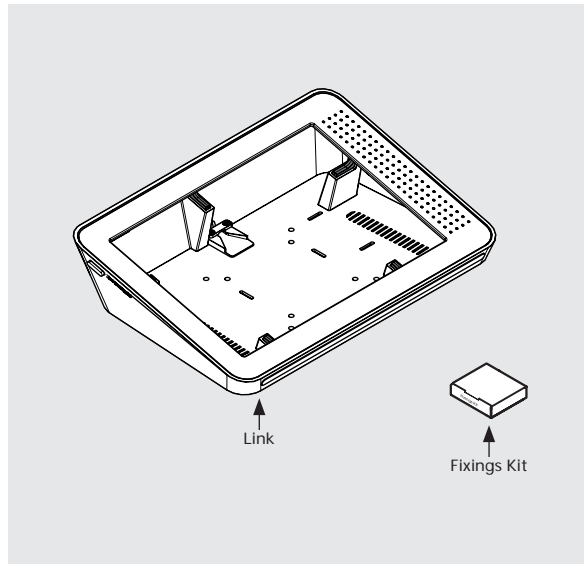
Tools Required to Fix From Above:

- Pencil
- Drill + drill bits
- 16mm Hole Saw

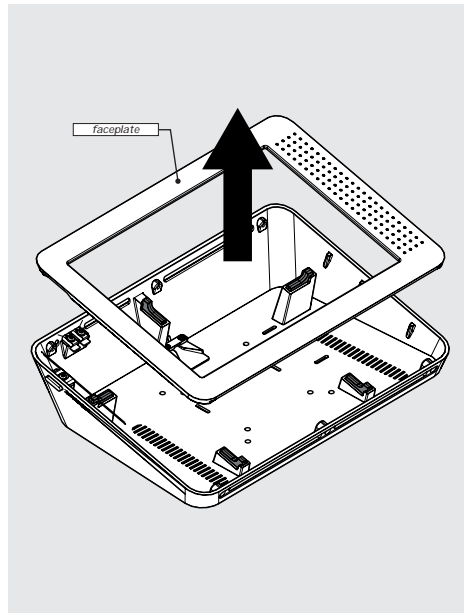
Sheet Code: BP-IM-074_REV2

Release Date: 08/04/2022

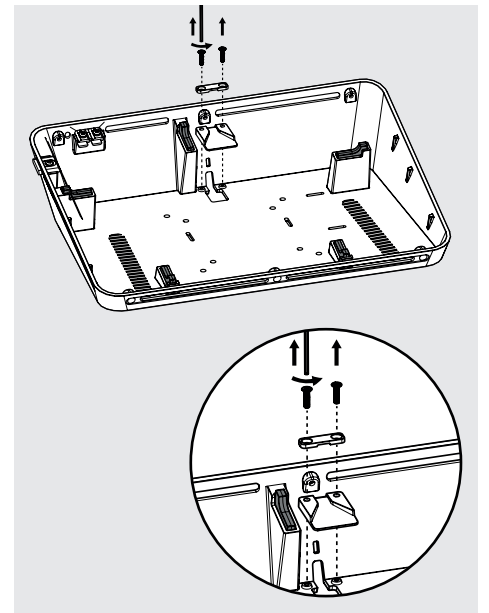
Copyright 2022 Spotspot Ltd. (T/A Bouncepad) all rights reserved. Confidential, no part of this publication may be reproduced or transmitted in any form without the written permission of the copyright holder.



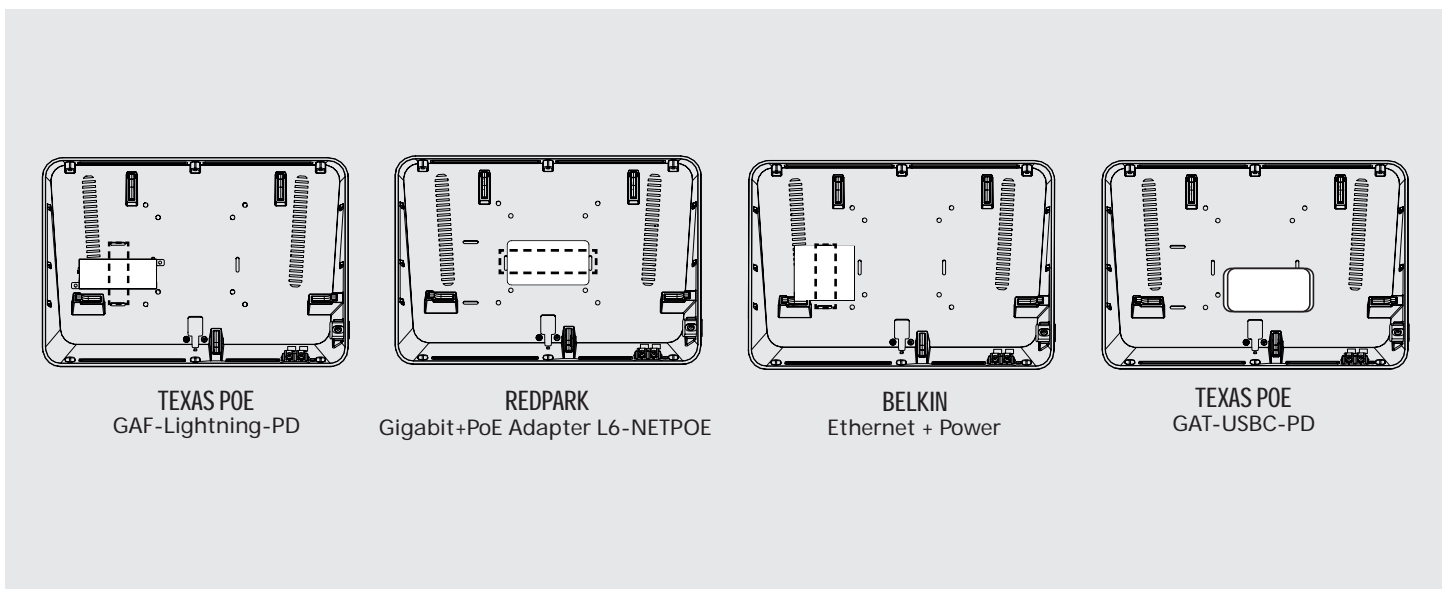
1 Remove Front and Back Screw Covers.



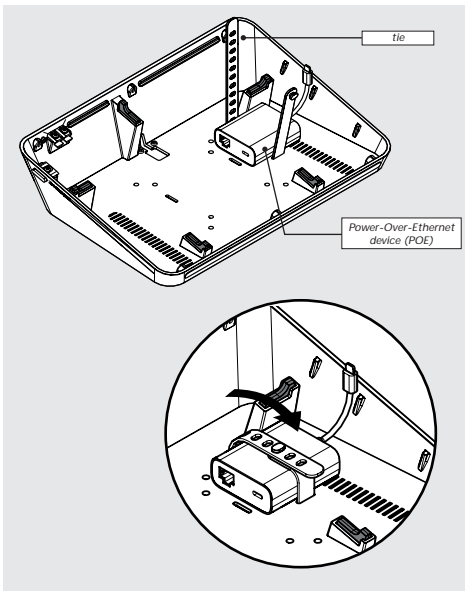
2 Remove Faceplate.



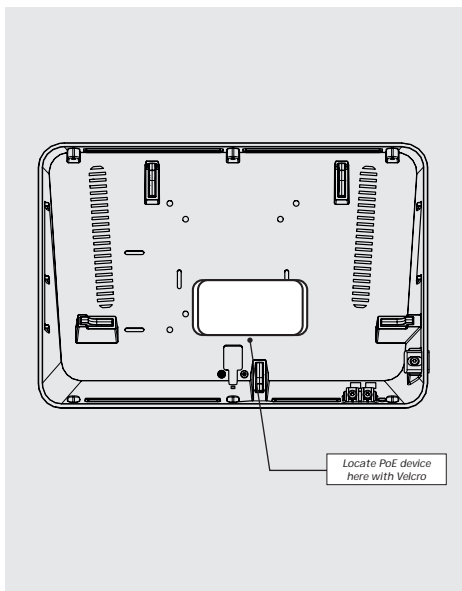
3 Remove Cable Lock.



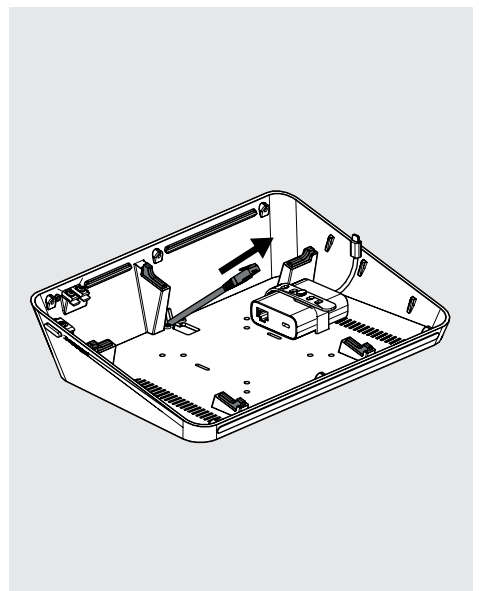
4 Select your PoE device and note its location in relation to the mounting slots



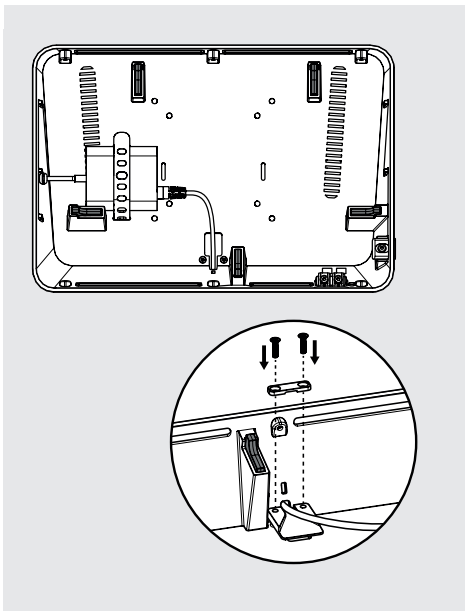
5 Insert the tie through the cable slots and then clasp over the POE device.



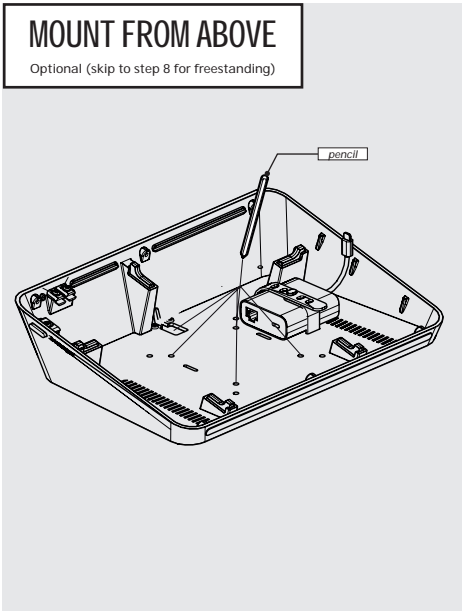
6 Specifically for Texas PoE GAT-USB-PD use velcro pad for attachment



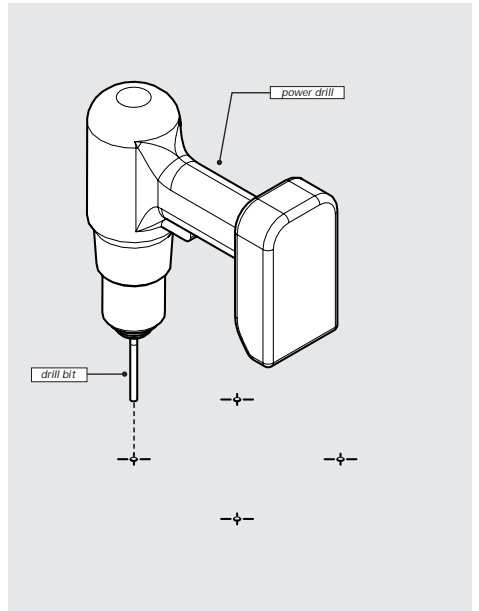
7 Feed the ethernet cable through the cable exit.



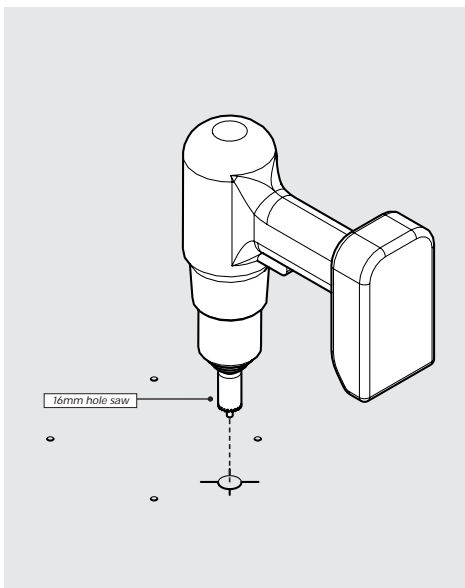
8 Connect the ethernet cable to the POE and secure the cable with the cable lock.



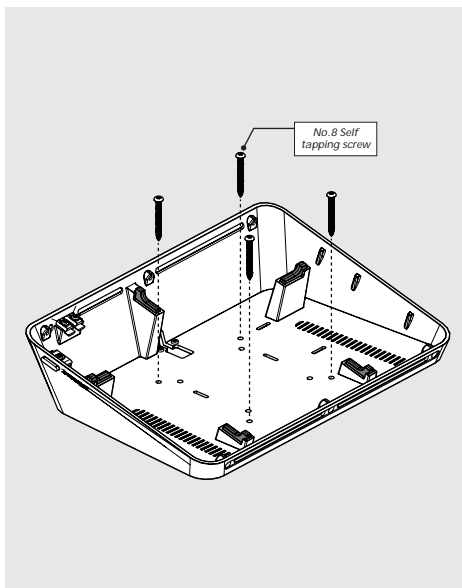
A1 Use a pencil to mark pilot hole locations.



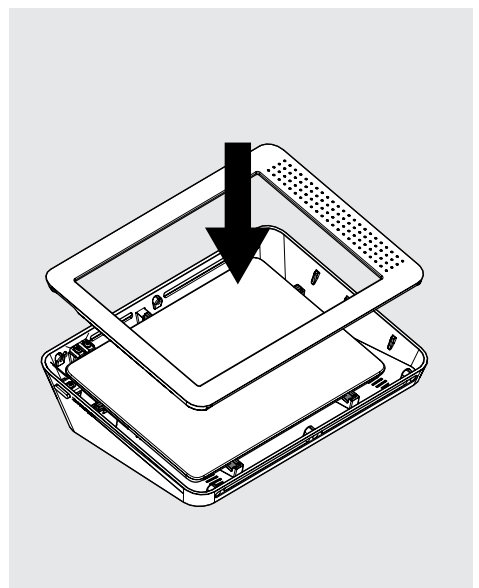
A2 Use a drill bit suitable for your surface and make 4x pilot holes



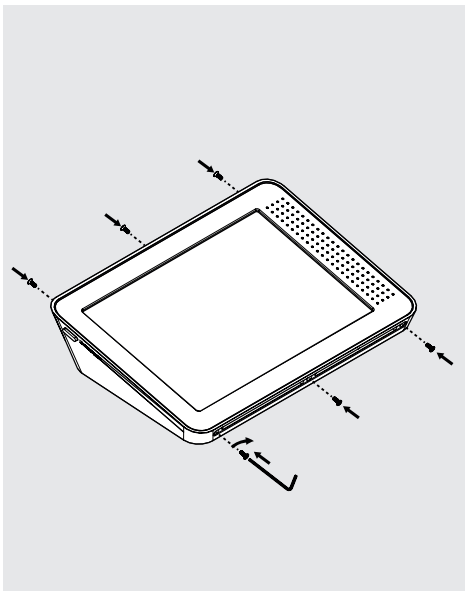
A3 If running a ethernet or USB cable through the surface use a hole saw in the cable exit position.



A4 Secure the Link to the surface with 4x No. 8 Self tapping screws. Rawl plugs are provided if required.

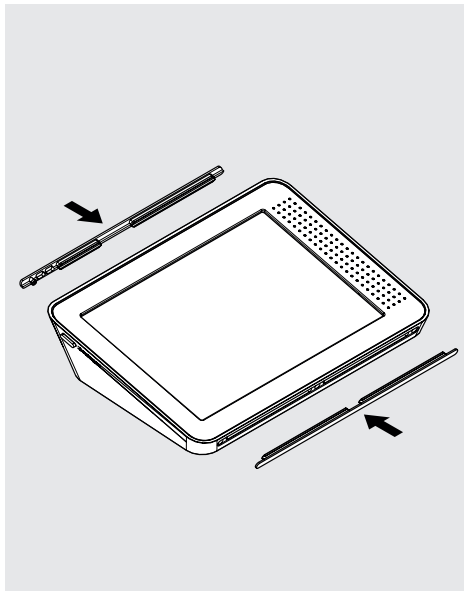


9 Connect the USB cable to the tablet, then place inside the enclosure. Re-attach the faceplate.



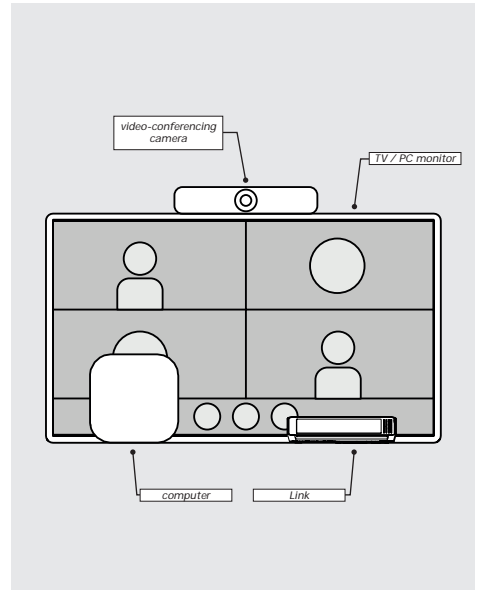
10

Use 6x M3 Screws to secure faceplate.



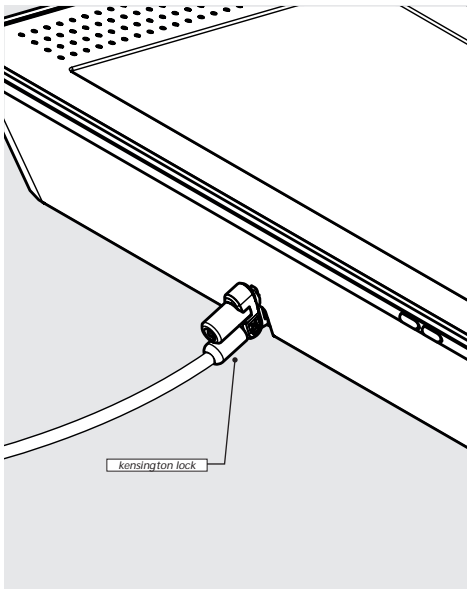
11

Reattach the front and back screw covers



12

Set up the video-conferencing software and peripherals as per the provider's instructions.



13

For additional security, tether your Link with a Kensington security cable. *Security cable not provided.