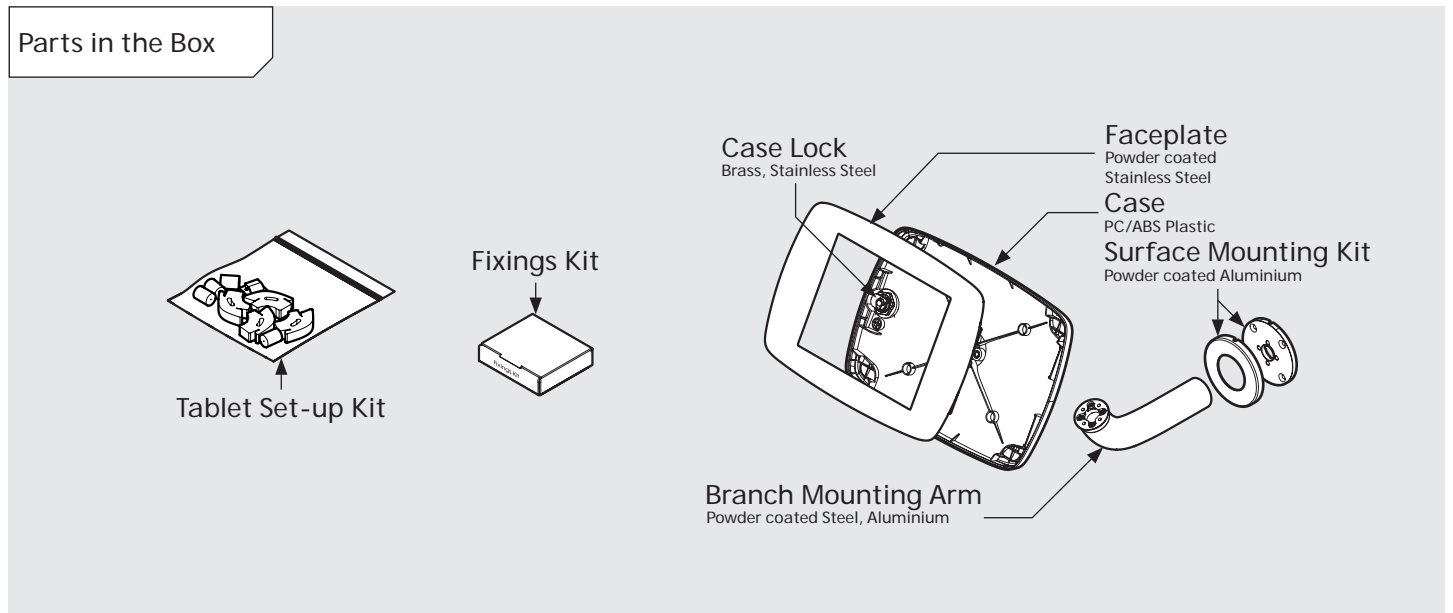
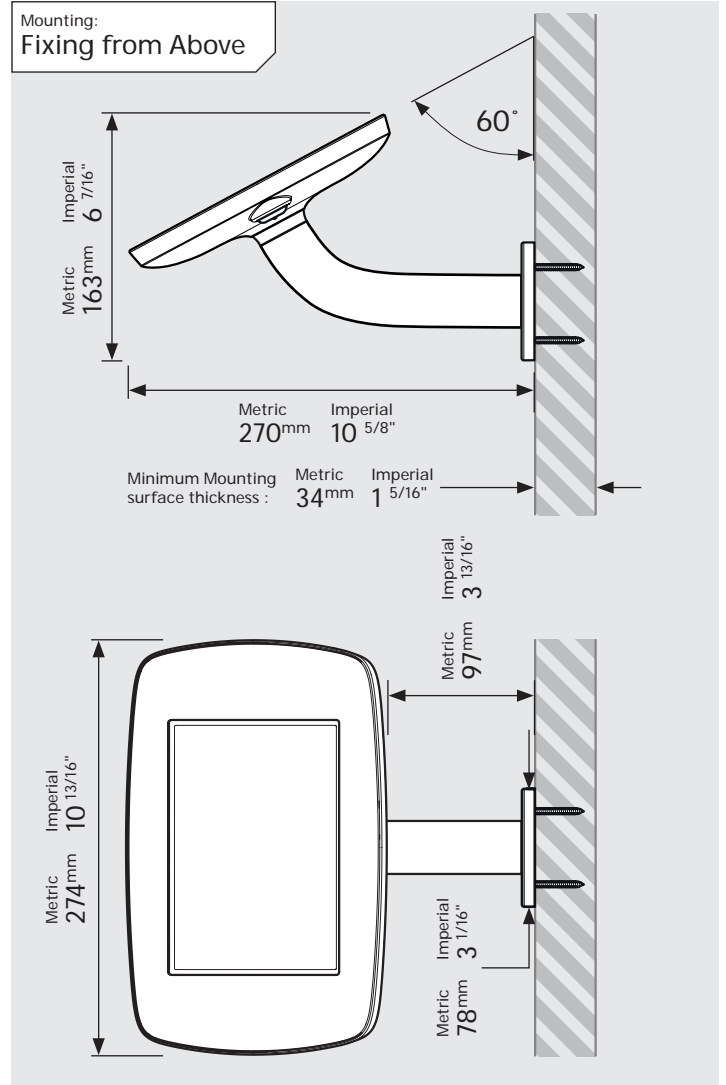
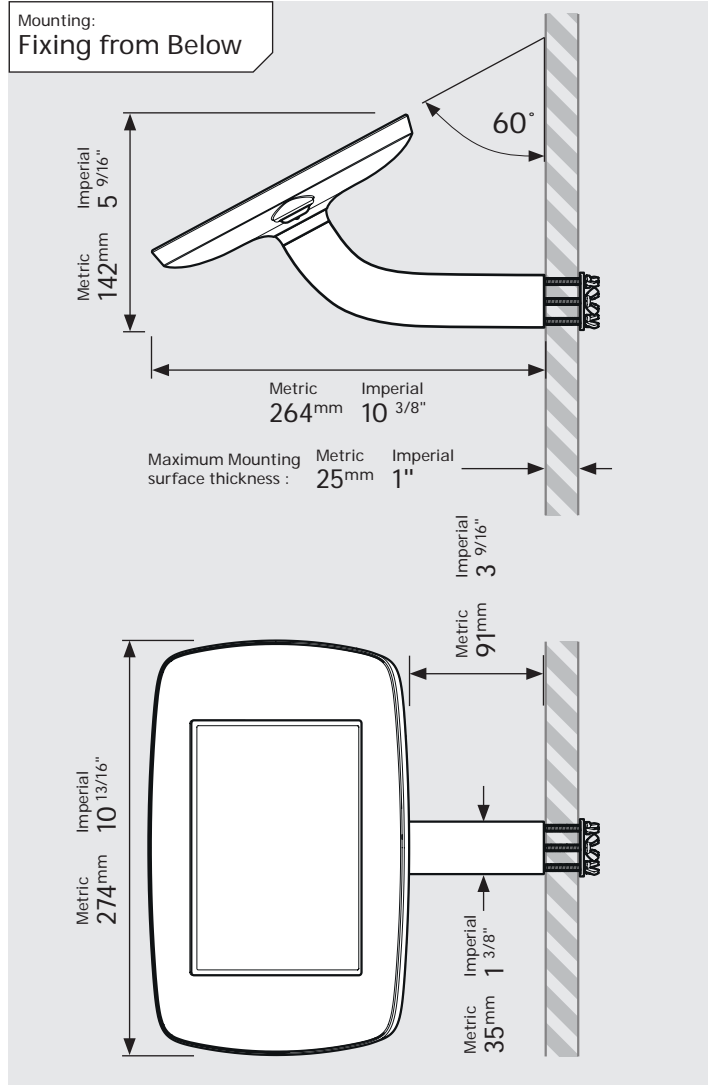


# PRODUCT DATA SHEET - BRANCH (MINI CASE)

**bouncepad®**

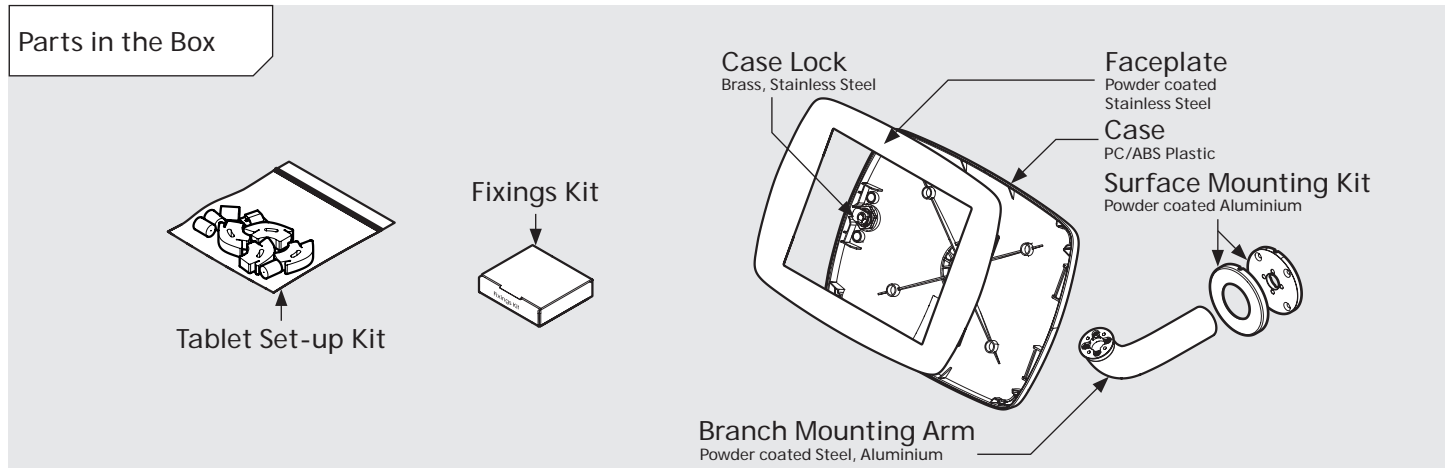
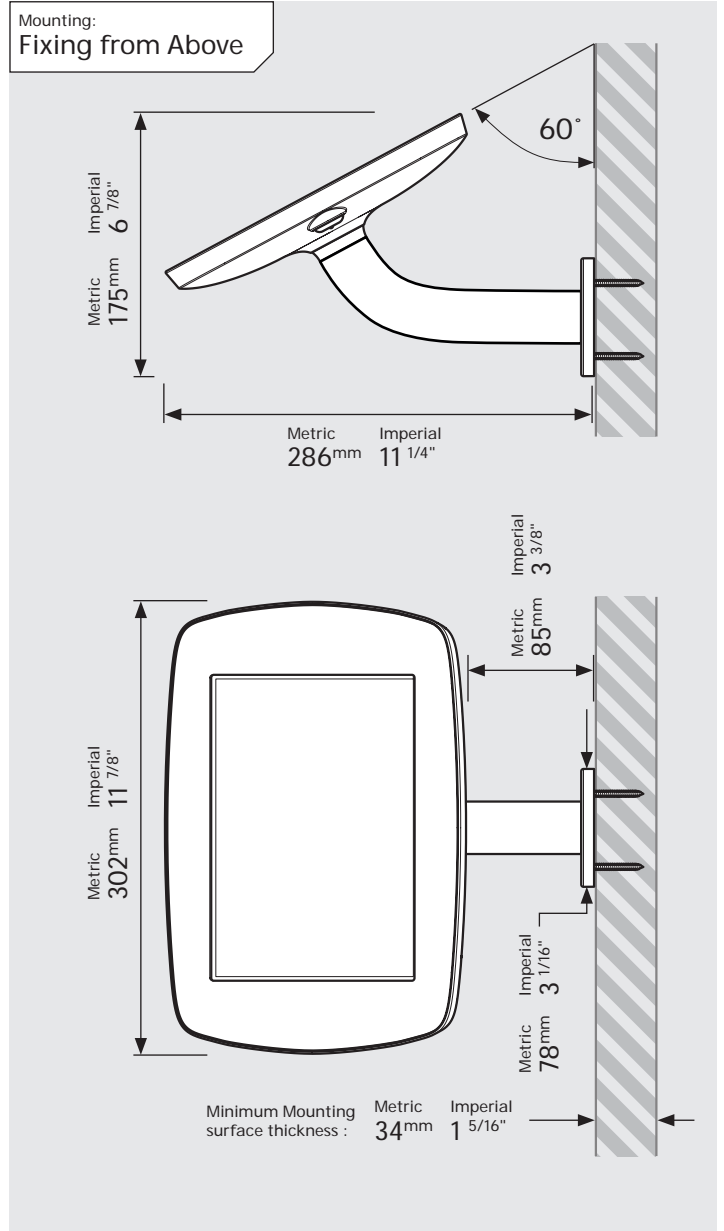
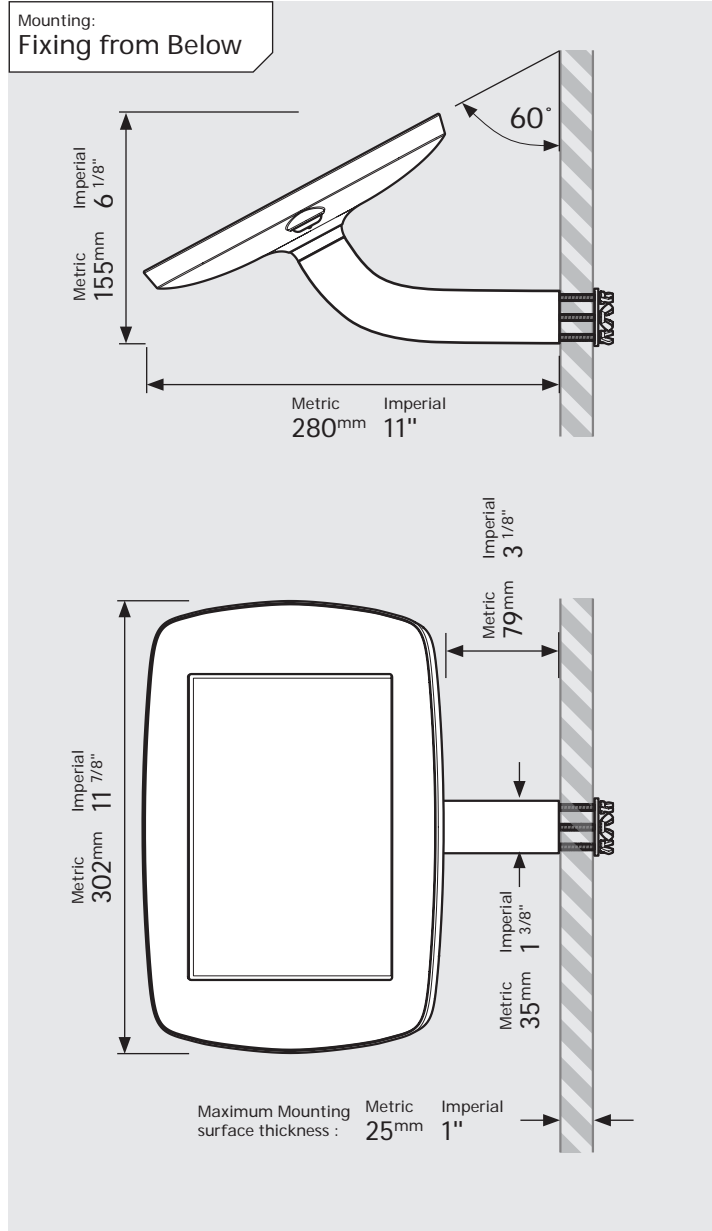
Case: Mini    Arm: Branch    Mounting: Fixing from Below  
 Fixing from Above    Packaged weight: 1.71kg    Colour: White  
 Black



# PRODUCT DATA SHEET - BRANCH (MIDI CASE)

**bouncepad®**

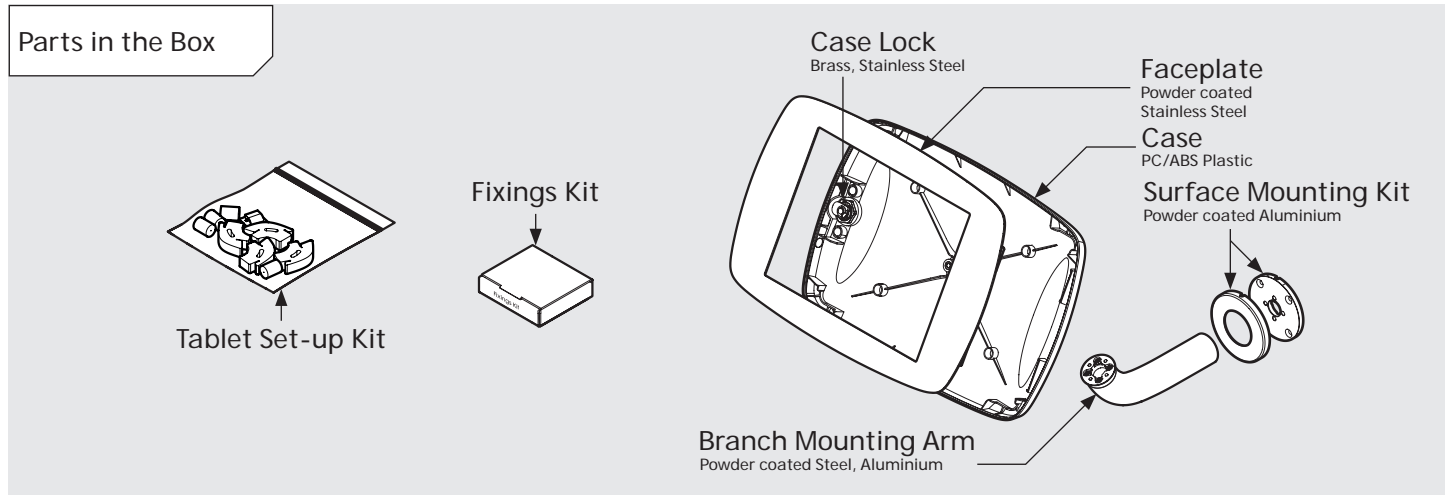
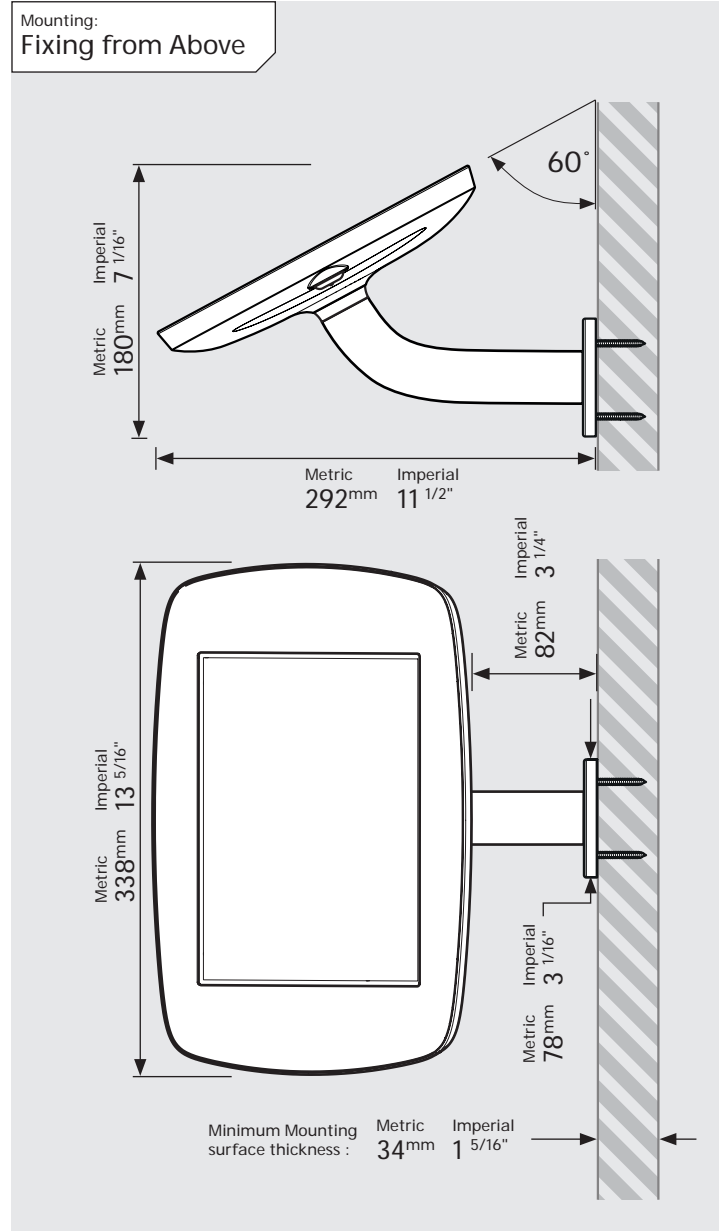
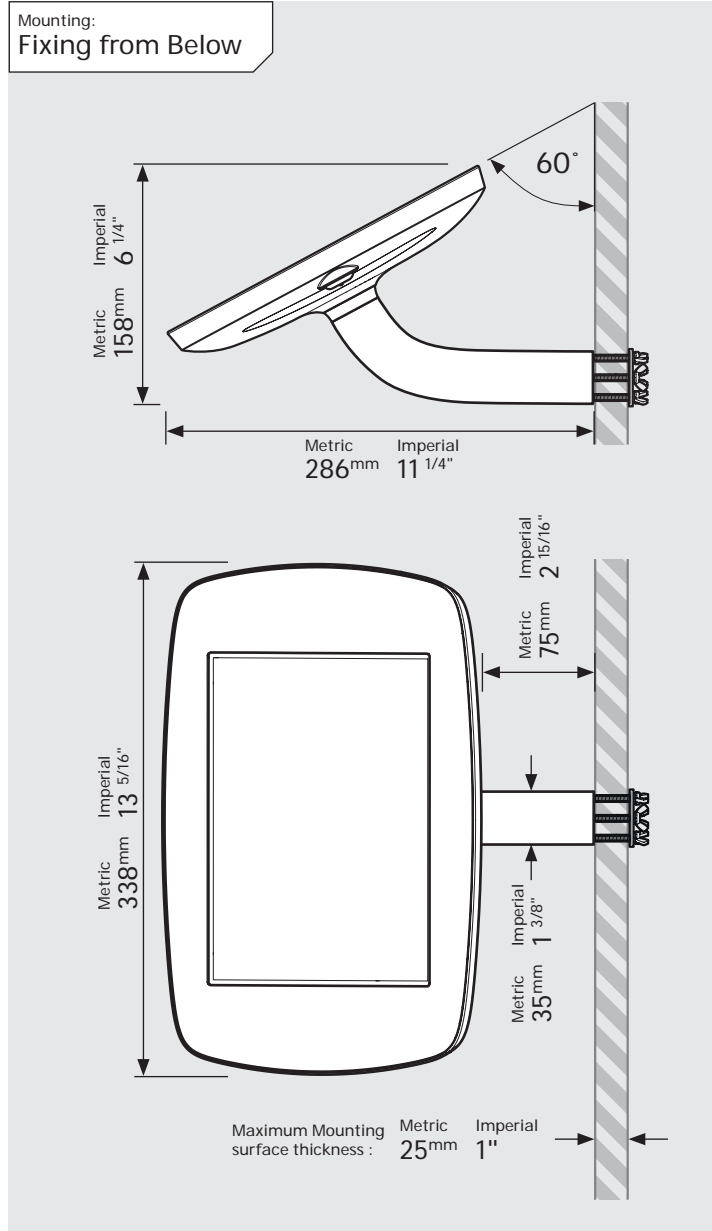
Case: Midi    Arm: Branch    Mounting: Fixing from Below  
 Fixing from Above    Packaged weight: 1.89kg    Colour: White  
 Black



# PRODUCT DATA SHEET - BRANCH (MAXI CASE)

**bouncepad®**

Case: Maxi    Arm: Branch    Mounting: Fixing from Below  
 Fixing from Above    Packaged weight: 2.12kg    Colour: White  
 Black



# PRODUCT DATA SHEET - BRANCH (MEGA CASE)

**bouncepad®**

Case: Mega    Arm: Branch    Mounting: Fixing from Below  
 Fixing from Above    Packaged weight: 2.51kg    Colour: White  
 Black

