

WM-1 Quick Installation

How to install Datavideo
PTC-150* to WM-1



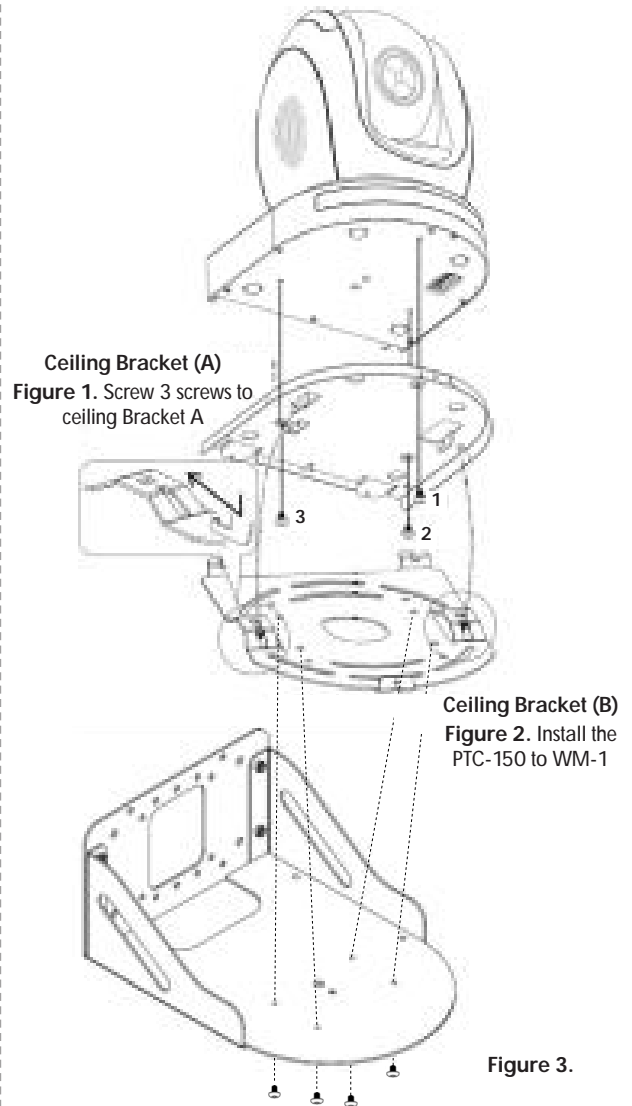
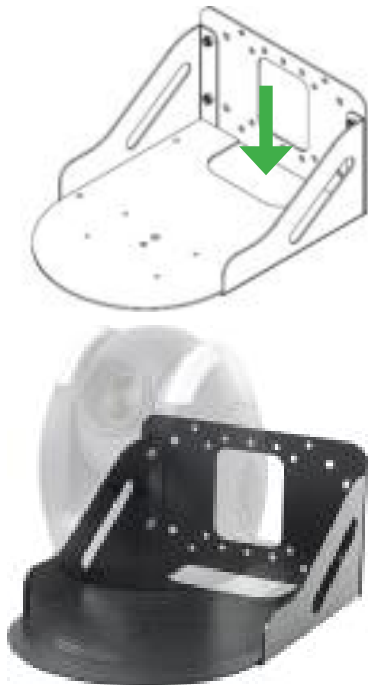
Step 1. Please mount WM-1 to the wall.

Step 2. Secure the PTC-150* to the Ceiling Bracket A (Figure 1) by screwing 3 screws as shown.

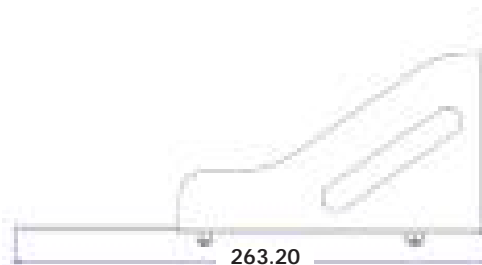
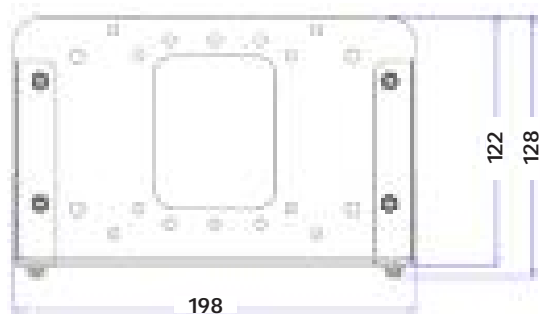
Step 3. Mount the PTC-150* to the ceiling Bracket B as shown in the Figure 2.

Step 4. Once the PTC-150* is mounted to Brackets A & B, secure the camera to WM-1 (Figure 3)

Step 5. After the PTC-150* is mounted to WM-1, connect the cables through the rectangular hole on the Bracket A as shown below.



Dimensions



Measurements in
millimeters (mm)

* Please note that the WM-1 wall mount can be applied to the PTC-140(T), PTC-150(T) and PTC-200(T). This manual uses the PTC-150 as an example to show how it can be installed onto WM-1.

For more information, visit www.datavideo.com/WM-1