



PCE-AXE5400

WiFi 6E PCIe Adapter

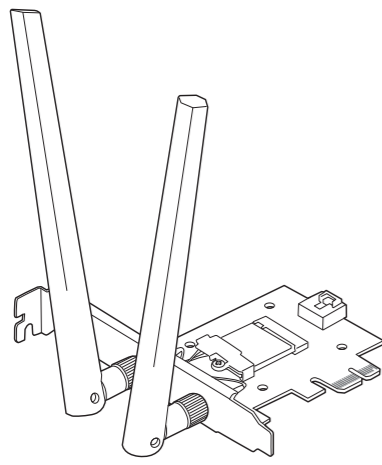
(For 802.11 a/b/g/n/ac/ax Wireless Networks)

WiFi 6E PCIe 無線網路卡

(用於802.11 a/b/g/n/ac/ax 無線網路)

WiFi 6E PCIe 无线网卡

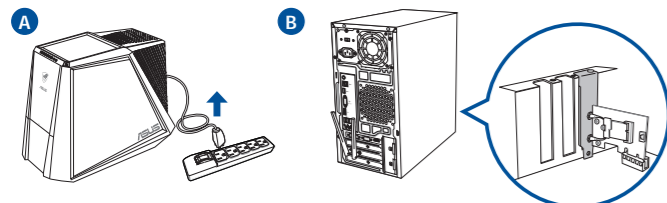
(用于802.11 a/b/g/n/ac/ax 无线网路)



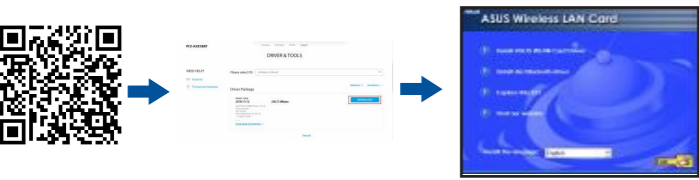
Quick Start Guide Kullanım Klavuzu

Setting up a Home Network

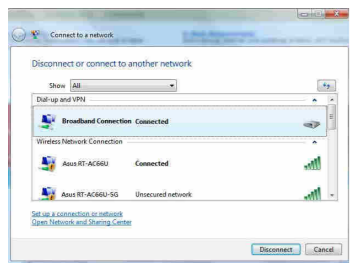
1. Turn on your computer, unplug the power cord, and open the system cover. Insert the PCE-AXE5400 wireless adapter onto the PCI Express x1 slot, and ensure that it is seated completely.



2. Scan the QR code below or download the PCE-AXE5400 driver from the website (asus.click/PCE-AXE5400_Driver), then follow the onscreen instructions to complete the Wi-Fi installation.

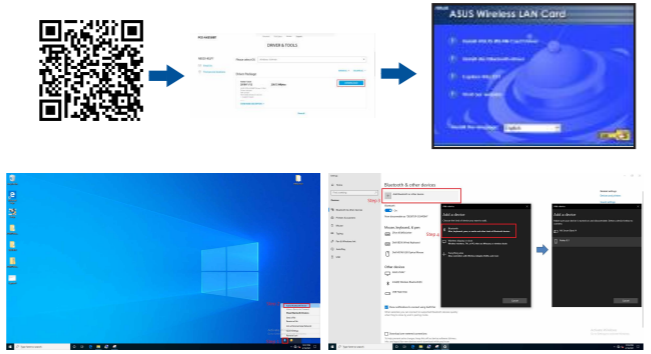


3. When the setup is complete, connect your desktop PC to the internet wirelessly via PCE-AXE5400.



Setting up a Home Network

4. Connect one end of the bundled USB cable to the USB port on PCE-AXE5400 and the other end to the F_USB connector on the motherboard. Scan the QR code below or download the PCE-AXE5400 driver from the website (asus.click/PCE-AXE5400_Driver), then follow the onscreen instructions to complete the Bluetooth installation.



English
1. Turn on your computer, unplug the power cord, and open the system cover. Insert the PCE-AXE5400 wireless adapter onto the PCI Express x1 slot, and ensure that it is seated completely.

Dansk
1. Sluk din computer, træk stikket ud af stikkontakten og åbn systembeslaget. Slut den trådløse adapter PCE-AXE5400 til stikket PCI Express x1, og sørg for at det sidder ordentligt.

Norsk
1. Slå av datamaskinen, koble fra strømledningen, og åpne systemdekslet. Sett PCE-AXE5400-trådløsadapteren inn i PCI Express x1-sporet, og sørg for at det sitter godt.

Svenska
1. Stäng av datorn, dra ut sladden ur uttaget och öppna systemets lucka. Sätt i den trådlösa PCE-AXE5400-adaptorn i PCI Express x1-facket, och se till att den sitter i helt.

Tiếng Việt
1. Tắt máy tính, rút dây nguồn và mở nắp vỏ máy. Lắp card không dây PCE-AXE5400 vào khe cắm PCI Express và đảm bảo nó đã được lắp đúng cách.

Bahasa Malayu
1. Matikan komputer anda, cabut palam kord kuasa dan buka penutup sistem. Masukkan penyusul wayarles PCE-AXE5400 ke slot PCI Express x1 dan pastikan bahawa ia dimasukkan sepenuhnya.

Français
1. Éteignez votre ordinateur, débranchez le câble d'alimentation et ouvrez le boîtier. Insérez l'adaptateur Wi-Fi du PCE-AXE5400 dans le slot PCI Express x1 jusqu'à ce qu'il soit bien en place.

Deutsch
1. Schalten Sie Ihren Computer aus, ziehen Sie das Netzkabel heraus und öffnen Sie die Systemabdeckung. Setzen Sie den PCE-AXE5400 WLAN-Adapter in den PCI Express x1 Steckplatz ein und achten Sie darauf, dass er vollständig steckt.

Italiano
1. Spegnere il computer, scollegare il cavo di alimentazione e aprire il coperchio del sistema. Inserire l'adattatore wireless PCE-AXE5400 nello slot PCI Express x1 e assicurarsi che sia inserito completamente.

Lietuvi
1. Išjunkite kompiuterį, atjunkite maitinimo kabelį ir atidarykite sistemos dangtį. Prijunkite belaidį adapterį PCE-AXE5400 prie PCI Express lizdo, x1 ir įsitikinkite, ar jis tinkamai prijungtas.

Latviski
1. Izslēdziet datoru, izveiciet strāvas vadu un atveriet sistēmas pārsegu. Ievietojiet PCE-AXE5400 bezvadu adapteri PCI Express x1 slotā un pārliecinieties, vai tas ir pilnībā ievietots.

Portugués
1. Desligue o seu computador e o cabo de alimentação e abra a tampa do sistema. Insira o adaptador sem fios PCE-AXE5400 na ranhura PCI Express x1, e certifique-se de que está corretamente encaixado.

Román
1. Opriți computerul, deconectați cablul de alimentare și deschideți capacul sistemului. Introduceți adaptorul wireless PCE-AXE5400 în fanta PCI Express x1 și asigurați-vă că este instalat complet.

Polski
1. Wyłącz komputer, odłącz przewód zasilający i otwórz pokrywę systemu. Włóż kartę sieci bezprzewodowej PCE-AXE5400 do gniazda PCI Express x1 i upewnij się, że została prawidłowo osadzona.

Español
1. Apague el equipo, desenchufe el cable de alimentación y abra la tapa del sistema. Inserte el adaptador inalámbrico PCE-AXE5400 en la ranura PCI Express x1 y asegúrese de que está asentado completamente.

Table with 4 columns: Adapter Type, Connector, Cable Type, and Driver Download Link.

Nederlands
1. Schakel uw computer uit, koppel de voedingskabel los en open het deksel van het systeem. Stop de draadloze PCE-AXE5400-adaptor in de PCI Express x1-sleuf en controleer of deze stevig is aangesloten.

Table with 4 columns: Adapter Type, Connector, Cable Type, and Driver Download Link.

한국어
1. 컴퓨터를 끄고 전원 코드를 뽑은 후 시스템 커버를 엽니다. PCE-AXE5400 무선 어댑터를 PCI Express x1 슬롯에 끼우고 완전히 끼워졌는지 확인하십시오.

Srpski
1. Isključite kompjuter, izvučite kabl za struju i otvorite poklopac sistema. Ubacite PCE-AXE5400 bežični adapter u prorez za PCI Express x1 i proverite da je potpuno usao.

日本語
1. コンピュータの電源をオフにし、電源ケーブルをコンセントから抜き、カバーを取り外します。PCE-AXE5400無線ネットワークカードをPCI Express x1スロットへ確実に固定されるように取り付けます。

Table with 4 columns: Adapter Type, Connector, Cable Type, and Driver Download Link.

Table with 4 columns: Adapter Type, Connector, Cable Type, and Driver Download Link.

Table with 4 columns: Adapter Type, Connector, Cable Type, and Driver Download Link.

Table with 4 columns: Adapter Type, Connector, Cable Type, and Driver Download Link.

Table with 4 columns: Adapter Type, Connector, Cable Type, and Driver Download Link.

Table with 4 columns: Adapter Type, Connector, Cable Type, and Driver Download Link.

Table with 4 columns: Adapter Type, Connector, Cable Type, and Driver Download Link.

Table with 4 columns: Adapter Type, Connector, Cable Type, and Driver Download Link.

Table with 4 columns: Adapter Type, Connector, Cable Type, and Driver Download Link.

Table with 4 columns: Adapter Type, Connector, Cable Type, and Driver Download Link.

Table with 4 columns: Adapter Type, Connector, Cable Type, and Driver Download Link.

Table with 4 columns: Adapter Type, Connector, Cable Type, and Driver Download Link.

Table with 4 columns: Adapter Type, Connector, Cable Type, and Driver Download Link.

- Hrvatski**
- Isklju žite ra unalo, iskop ajte kabel za napajanje i otvorite poklopac sustava. Umetnite beži ni adapter PCE-AXE5400 u PCI Express x1 utora provjerite je li pravilno i ursto smješten.
 - Skenirajte QR kod ili preuzmite upravlja ki program za PCE-AXE5400 s web-stranice (asus.click/PCE-AXE5400_Driver), zatim slijedite upute na zaslonu za dovršenje instalacije Wi-Fi-a.
 - Kada instalacija završi, povežite ra unalo s internetom beži nom vezom preko PCE-AXE5400.
 - Spojite jedan kraj isporu enog USB kabela na USB priklju ak na matič noj plo i. Skenirajte QR kod ili preuzmite upravlja ki program za PCE-AXE5400 s web-stranice (asus.click/PCE-AXE5400_Driver), zatim slijedite upute na zaslonu za dovršenje instalacije Wi-Fi-a.

Slovens šina

- Izklopite računalnik, izklju žite napajalni kabel in odprite pokrov sistema. Brezži ni adapter PCE-AXE5400 vstavite v režo PCI Express x1 in poskrbite, da bo dobro vstavljen.
- Skenirajte spodnjo kodo QR ali gonilnik PCE-AXE5400 prenesite s spletnega mesta (asus.click/PCE-AXE5400_Driver), nato pa sledite navodilom na zaslonu, da zaklju žite namestitvev omrežja Wi-Fi.
- Ko je namestitev že kon anana, z računalnikom preko PCE-AXE5400 vzpostavite brezži no povezavo z internetom.
- En konec priloženega kabela USB priklju žite na vrata USB na napravi PCE-AXE5400, drugi konec pa na priklju ek F_USB na matič ni ploš i. Skenirajte spodnjo kodo QR ali gonilnik PCE-AXE5400 prenesite s spletnega mesta (asus.click/PCE-AXE5400_Driver), nato pa sledite navodilom na zaslonu, da zaklju žite namestitvev omrežja Wi-Fi.

ASUS Recycling/Takeback Services

ASUS recycling and takeback programs come from our commitment to the highest standards for protecting our environment. We believe in providing solutions for you to be able to responsibly recycle our products, batteries, other components, as well as the packaging materials. Please go to <http://csr.asus.com/english/Takeback.htm> for the detailed recycling information in di erent regions.

REACH

Complying with the REACH (Registration, Evaluation, Authorisation, and Restriction of Chemicals) regulatory framework, we published the chemical substances in our products at ASUS REACH website at <http://csr.asus.com/english/REACH.htm>

Federal Communications Commission Statement

This device complies with Part 15 of the FCC Rules. Operation is subject to the following two conditions:

- This device may not cause harmful interference.
 - This device must accept any interference received, including interference that may cause undesired operation.
- This equipment has been tested and found to comply with the limits for a class B digital device pursuant to part 15 of the FCC Rules. These limits are designed to provide reasonable protection against harmful interference in a residential installation. This equipment generates, uses and can radiate radio frequency energy and, if not installed and used in accordance with the instructions, may cause harmful interference to radio communications. However, there is no guarantee that interference will not occur in a particular installation. If this equipment does cause harmful interference to radio or television reception, which can be determined by turning the equipment o and on, the user is encouraged to try to correct the interference by one or more of the following measures:
- Reorient or relocate the receiving antenna.
 - Increase the separation between the equipment and receiver.
 - Connect the equipment into an outlet on a circuit di erent from that to which the receiver is connected.
 - Consult the dealer or an experienced radio/TV technician for help.



WARNING! Any changes or modi cations not expressly approved by the party responsible for compliance could void the user's authority to operate the equipment.

Prohibition of Co-location

This device and its antenna(s) must not be co-located or operating in conjunction with any other antenna or transmitter. **IMPORTANT NOTE:**

Radiation Exposure Statement: This equipment complies with FCC radiation exposure limits set forth for an uncontrolled environment. End users must follow the speci c operating instructions for satisfying RF exposure compliance. To maintain compliance with FCC exposure compliance requirement, please follow operation instruction as documented in this manual.



WARNING! This equipment must be installed and operated in accordance with provided instructions and the antenna(s) used for this transmitter must be installed to provide a separation distance of at least 20 cm from all persons and must not be co-located or operating in conjunction with any other antenna or transmitter.

Compliance Statement of Innovation, Science and Economic Development Canada (ISED)

This device complies with Innovation, Science and Economic Development Canada licence exempt RSS standard(s). Operation is subject to the following two conditions: (1) this device may not cause interference, and (2) this device must accept any interference, including interference that may cause undesired operation of the device. Operation in the band 5150–5250 MHz is only for indoor use to reduce the potential for harmful interference to co-channel mobile satellite systems.

Radio Frequency (RF) Exposure Information

The radiated output power of the ASUS Wireless Device is below the Innovation, Science and Economic Development Canada radio frequency exposure limits. The ASUS Wireless Device should be used in such a manner such that the potential for human contact during normal operation is minimized.

This equipment should be installed and operated with a minimum distance of 20 cm between the radiator any part of your body.

This device has been certi ed for use in Canada. Status of the listing in the Innovation, Science and Economic Development Canada's REL (Radio Equipment List) can be found at the following web address:

http://www.ic.gc.ca/eic/site/ceb-bhst.nsf/eng/h_1100020.html

Additional Canadian information on RF exposure also can be found at the following web:

<https://www.ic.gc.ca/eic/site/smt-gst.nsf/eng/sf08792.html>

Déclaration de conformité de Innovation, Sciences et Développement économique Canada (ISED)

Le présent appareil est conforme aux CNR d'Innovation, Sciences et Développement économique Canada applicables aux appareils radio exempts de licence. L'exploitation est autorisée aux deux conditions suivantes : (1) l'appareil ne doit pas produire de brouillage, et (2) l'utilisateur de l'appareil doit accepter tout brouillage radioélectrique subi, même si le brouillage est susceptible d'en compromettre le fonctionnement.

La bande 5150 – 5250 MHz est réservée uniquement pour une utilisation à l'intérieur a n de réduire les risques de brouillage préjudiciable aux systèmes de satellites mobiles utilisant les mêmes canaux.

CAN ICES-003(B)/NMB-003(B)

Informations concernant l'exposition aux fréquences radio (RF)

La puissance de sortie émise par cet appareil sans l est inférieure à la limite d'exposition aux fréquences radio d'Industrie Canada (IC). Utilisez l'appareil sans l de façon à minimiser les contacts humains lors d'un fonctionnement normal. Cet appareil a été évalué et démontré conforme aux limites de DAS (Débit d'absorption spéci que) d'IC lorsqu'il est installé dans des produits hôtes particuliers qui fonctionnent dans des conditions d'exposition à des appareils portables (Les antennes doivent être situées à plus de 20 cm de votre corps).

L'utilisation de cet appareil est autorisée au Canada. Pour consulter l'entrée correspondant à l'appareil dans la liste d'équipement radio (REL - Radio Equipment List) d'Industrie Canada, rendez-vous sur: <http://www.ic.gc.ca/app/ssi/r/tel/el/scch/nwRdSrch.do?lang=eng>

Pour des informations supplémentaires concernant l'exposition aux fréquences radio au Canada, rendez-vous sur: <http://www.ic.gc.ca/eic/site/smt-gst.nsf/eng/sf08792.html>

屋外での使用について

本製品は、5GHz 帯域での通信に対応しています。電波法の定めにより5. 2GHz、5. 3GHz 帯域の電波は屋外で使用が禁じられています。

法律および規制遵守

本製品は電波法及びこれに基づく命令の定めるところに従い使用してください。日本国外では、その国の法律または規制により、本製品を使用ができないことがあります。このような国では、本製品を運用した結果、罰せられることがあります。当社は一切責任を負いかねますのでご了承ください。

VCCL: Japan Compliance Statement

この装置は、情報処理装置等電波障害自主規制協議会（V C C I ）の基準に基づくクラスB情報技術装置です。この装置は、家庭環境で使用することを目的としていますが、この装置がラジオやテレビジョン受信機に近接して使用されると、受信障害を引き起こすことがあります。取り扱い説明書に従って正しい取り扱いをして下さい。

KC: Korea Warning Statement

B급 기기 (가정용 방송통신기자재)	이 기기는 가정용(B급)으로 전자파적합등급을 한 기기로서 주로 가정에서 사용하는 것을 목적으로 하며, 모든 지역에서 사용할 수 있습니다.
---------------------	--

Class B equipment (For Home Use Broadcasting & Communication Equipment)	This equipment is home use (Class B) electromagnetic wave suitability and to be used mainly at home and it can be used in all areas.
--	--

Precautions for the use of the device

- Ay particular attention to the personal safety when use this device in airports, hospitals, gas stations and professional garages.
- Medical device interference: Maintain a minimum distance of at least 15 cm (6 inches) between implanted medical devices and ASUS products in order to reduce the risk of interference.
- Kindly use ASUS products in good reception conditions in order to minimize the radiation's level.
- Keep the device away from pregnant women and the lower abdomen of the teenager.

Précautions d'emploi de l'appareil

- Soyez particulièrement vigilant quant à votre sécurité lors de l'utilisation de cet appareil dans certains lieux (les avions, les aéroports, les hôpitaux, les stations-service et les garages professionnels).
- Évitez d'utiliser cet appareil à proximité de dispositifs médicaux implantés. Si vous portez un implant électronique (stimulateurs cardiaques, pompes à insuline, neurostimulateurs...), veuillez impérativement respecter une distance minimale de 15 centimètres entre cet appareil et votre corps pour réduire les risques d'interférence.
- Utilisez cet appareil dans de bonnes conditions de réception pour minimiser le niveau de rayonnement. Ce n'est pas toujours le cas dans certaines zones ou situations, notamment dans les parkings souterrains, dans les ascenseurs, en train ou en tout simplement dans un secteur mal couvert par le réseau.
- Tenez cet appareil à distance des femmes enceintes et du bas-ventre des adolescents.

:-1: 0-40 °C.

:-2: 0-40 °C.

:-3: 0-40 °C.

:-4: 0-40 °C.

:-5: 0-40 °C.

:-6: 0-40 °C.

:-7: 0-40 °C.

:-8: 0-40 °C.

:-9: 0-40 °C.

:-10: 0-40 °C.

:-11: 0-40 °C.

:-12: 0-40 °C.

:-13: 0-40 °C.

:-14: 0-40 °C.

:-15: 0-40 °C.

:-16: 0-40 °C.

:-17: 0-40 °C.

:-18: 0-40 °C.

:-19: 0-40 °C.

:-20: 0-40 °C.

:-21: 0-40 °C.

הוראות בטיחות לשימוש במוצר

יש לפעול ע"פ כללי הבטיחות הבאים בעת שימוש במוצר:

- ודא שלמות ותקינות התקע ו/או כבל החשמל.
- אין להנציג או להוציא את התקע מרשת החשמל בדיים טרובות.

- באם המוצר מופעל ע"מ טעינה חיצונית, אין לפתוח את המטען, במקרה של בעיה כלשהי, יש לפנות למעבדת השירות הקרובה.
- יש להרחיק את המוצר מהמטען מנגזלים.

- במקרה שר ירח מוזר, רעשים שמקורם במוצר ו/או במטען/ספק כוח, יש לנתקו מידידת מרשת החשמל ולפנות למעבדת שירות. המוצר והמטען/ספק כוח מיועד לשימוש בתוך המבנה בלבד, לא לשימוש חיצוני ולא לשימוש בסביבה חוה.
- אין לחתוך, לשבור, ולקעם את כבל החשמל.
- אין להניח חפצים על כבל החשמל או להניח לו להתחמם יתר על המידה, שכן הדבר עלול לגרום לנזק, דליקה או התחשמלות.

- לפני יניקו המוצר ו/או המטען יש לנתקו מרשת החשמל.
- יש לאפשר גישה נוחה לחיבור וניתוק פתיל הזינה מרשת החשמל
- יש להקפיד ולתחזק את התק האות הניתוק במצב פעולי מכן לשימוש אזרחי:

אין להחליף את כבל הזינה בתחליפים לא מקוריים, חיבור לקוי עלול לגרום להתחשמלות הממשלת.

- בשימוש על כבל מאריך יש לוודא תקינות מוליך הארקה שבכבל.

:-1: 0-40 °C.

:-2: 0-40 °C.

:-3: 0-40 °C.

:-4: 0-40 °C.

:-5: 0-40 °C.

:-6: 0-40 °C.

:-7: 0-40 °C.

:-8: 0-40 °C.

:-9: 0-40 °C.

:-10: 0-40 °C.

:-11: 0-40 °C.

:-12: 0-40 °C.

:-13: 0-40 °C.

:-14: 0-40 °C.

:-15: 0-40 °C.

:-16: 0-40 °C.

:-17: 0-40 °C.

:-18: 0-40 °C.

:-19: 0-40 °C.

:-20: 0-40 °C.

:-21: 0-40 °C.

Networks Global Hotline Information

Area	Country/ Region	Hotline Number	Service Hours	
	Cyprus	800-92491	09:00-13:00, 14:00-18:00 Mon-Fri	
	France	0033-170949400	09:00-18:00 Mon-Fri	
	Germany	0049-1805010920 0049-1805010923 (component support) 0049-2102959911 (Fax)	09:00-18:00 Mon-Fri 10:00-17:00 Mon-Fri	
	Hungary	0036-15054561	09:00-17:30 Mon-Fri	
	Italy	06 9726662	09:00-13:00, 14:00-18:00 Mon-Fri	
	Greece	00800-44142044	09:00-13:00, 14:00-18:00 Mon-Fri	
	Austria	0043-820240513	09:00-18:00 Mon-Fri	
	Netherlands/ Luxembourg	0031-591570290	09:00-17:00 Mon-Fri	
Europe	Belgium	0032-78150231	09:00-17:00 Mon-Fri	
	Norway	0047-2316-2682	09:00-18:00 Mon-Fri	
	Sweden	0046-858769407	09:00-18:00 Mon-Fri	
	Finland	00358-969379690	10:00-19:00 Mon-Fri	
	Denmark	0045-38322943	09:00-18:00 Mon-Fri	
	Poland	0048-225718040	08:30-17:30 Mon-Fri	
	Spain	0034-902889688	09:00-18:00 Mon-Fri	
	Portugal	00351-707500310	09:00-18:00 Mon-Fri	
	Slovak Republic	00421-232162621	08:00-17:00 Mon-Fri	
	Czech Republic	00420-596766888	08:00-17:00 Mon-Fri	
	Switzerland-German	0041-848111010	09:00-18:00 Mon-Fri	
Switzerland-French	0041-848111014	09:00-18:00 Mon-Fri		
Switzerland-Italian	0041-848111012	09:00-18:00 Mon-Fri		
United Kingdom	0044-1442265548	09:00-17:00 Mon-Fri		
Ireland	0035-31890719918	09:00-17:00 Mon-Fri		
Russia and CIS	008-800-100-ASUS	09:00-18:00 Mon-Fri		
Ukraine	0038-0445457727	09:00-18:00 Mon-Fri		
	Australia	1300-278788	09:00-18:00 Mon-Fri	
	New Zealand	0800-278788 0800-1232787	09:00-18:00 Mon-Fri 09:00-19:00 Mon-Sun	
	Japan	0081-570783886 (Non-Toll Free)	09:00-19:00 Mon-Sun	
	Korea	0082-215666868	09:30-17:00 Mon-Fri	
	Thailand	0066-24011717 1800-8525201	09:00-18:00 Mon-Fri	
Asia-Paci c	Singapore	0065-64157917 0065-67203835 (Repair Status Only)	11:00-19:00 Mon-Fri 11:00-19:00 Mon-Fri 11:00-13:00 Sat	
	Malaysia	1300-88-3495	9:00-18:00 Mon-Fri	
	Philippines	1800-18550163	09:00-18:00 Mon-Fri	
	India India(WL/NW)	1800-2090365	09:00-18:00 Mon-Sat 09:00-21:00 Mon-Sun	
	Indonesia	0062-2129495000 500128 (Local Only)	09:30-17:00 Mon-Fri 9:30 – 12:00 Sat	
	Vietnam	1900-555581	08:00-12:00 13:30-17:30 Mon-Sat	
	Hong Kong	00852-35824770	10:00-19:00 Mon-Sat	
	America	USA Canada	1-812-282-2787	8:30-12:00 EST Mon-Fri 9:00-18:00 EST Sat-Sun
		Mexico	001-8008367847	08:00-20:00 CST Mon-Fri 08:00-15:00 CST Sat
		Brazil	4003 0988 (Capital) 0800 880 0988 (demais localidades)	9:00am-18:00 Mon-Fri
Middle East + Africa	Egypt	800-2787349	09:00-18:00 Sun-Thu	
	Saudi Arabia	800-1212787	09:00-18:00 Sat-Wed	
	UAE	09971-42958941	09:00-18:00 Sun-Thu	
	Turkey	0090-2165243000	09:00-18:00 Mon-Fri	
	South Africa	0861-278772	08:00-17:00 Mon-Fri	
	Israel	*6557/00972-39142800 *9770/00972-35598555	08:00-17:00 Sun-Thu 08:30-17:30 Sun-Thu	
	Romania	0040-213301786	09:00-18:30 Mon-Fri	
Balkan Countries	Bosnia Herzegovina	00387-33773163	09:00-17:00 Mon-Fri	
	Bulgaria	00359-70014411 00359-29889170	09:30-18:30 Mon-Fri 09:30-18:00 Mon-Fri	
	Croatia	00385-16401111	09:00-17:00 Mon-Fri	
	Montenegro	00382-20608251	09:00-17:00 Mon-Fri	
	Serbia	00381-112070677	09:00-17:00 Mon-Fri	
	Slovenia	00368-59045400 00368-59045401	08:00-16:00 Mon-Fri	
	Baltic Countries	Estonia	00372-6671796	09:00-18:00 Mon-Fri
		Latvia	00371-67408838	09:00-18:00 Mon-Fri
		Lithuania-Kaunas	00370-37329000	09:00-18:00 Mon-Fri
Lithuania-Vilnius	00370-522101160	09:00-18:00 Mon-Fri		

:-22: 0-40 °C.



NOTES:

- UK support e-mail: network_support_uk@asus.com

For more information, visit the ASUS support site at:

<https://www.asus.com/support/>

Service and Support



<https://www.asus.com/support>

ASUS.

ASUS

ASUS

ASUS

ASUS

0 °C 40 °C.

