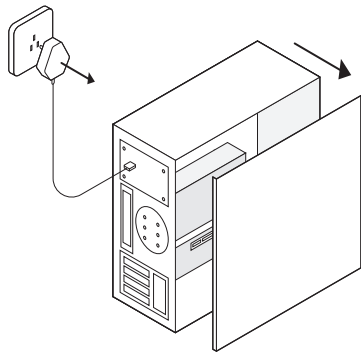


1 Hardware Connection

2.5 Gigabit PCI Express Network Adapter

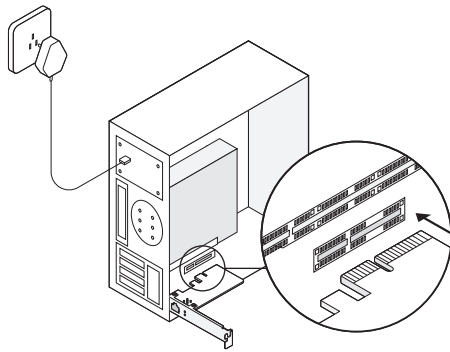
- a. Turn off your computer, unplug the power cable and remove the case panel.



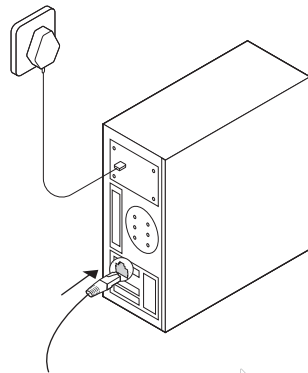
- b. Locate an available PCI-E slot and carefully insert the adapter.

Note:

If the bracket is not suitable for your computer, detach it from the adapter's board and replace it with the low-profile bracket.



- c. Replace the case panel, plug in the power cable and turn on your computer. Then connect the Ethernet cable to the adapter.



Images are for demonstration only.

2 Driver Installation

a. Insert the CD and run the Autorun.exe.

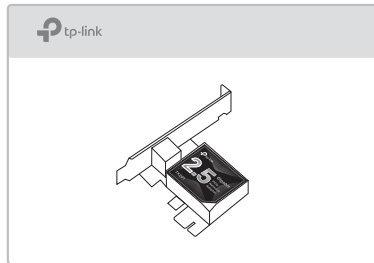
Note:

- You can also download the driver or check the new release at <https://www.tp-link.com/download-center>
- To install driver on Linux, refer to <https://www.tp-link.com/faq-2868.html>

b. Select **your adapter** and follow the instructions to complete the installation.

Note:

If you can't install the driver successfully, disable the antivirus software and firewall, then try again.



LED Indicator

LED	Status
100M/10M Link	<p>On: The adapter speed is negotiated to 100 Mbps/10 Mbps, but no data transmission.</p> <p>Flashing: The adapter is working at 100 Mbps or 10 Mbps.</p> <p>Off: No link or the adapter is working at a different speed.</p>
1000M Link	<p>On: The adapter speed is negotiated to 1 Gbps, but no data transmission.</p> <p>Flashing: The adapter is working at 1 Gbps.</p> <p>Off: No link or the adapter is working at a different speed.</p>
2.5G Link	<p>On: The adapter speed is negotiated to 2.5 Gbps, but no data transmission.</p> <p>Flashing: The adapter is working at 2.5 Gbps.</p> <p>Off: No link or the adapter is working at a different speed.</p>

Note:

If neither LED flashes, check whether the adapter is detected by the computer or the driver is successfully installed.

Troubleshooting

Q1: How can I find the driver if the CD is lost or broken?

- You can find and download the driver at <https://www.tp-link.com/download-center>

Q2: How can I find the hardware version of the adapter?

- The hardware version (Ver:X.Y) is printed on the product label on the package or the adapter. The number X is the hardware version of the adapter.
- For more detailed instructions, please visit <https://www.tp-link.com/faq-46.html>

Q3: What should I do if my computer cannot find the new hardware?

- Restart your computer and try again.
- Power off the computer, then reinsert the adapter or try another PCI-E slot.
- If the problem persists, contact our Technical Support.

Support

For technical support, replacement services, user guides, and other information, please visit <https://www.tp-link.com/support>, or simply scan the QR code.



- Do not attempt to disassemble, repair, or modify the device. If you need service, please contact us.
- Keep the device away from water, fire, humidity or hot environments.