

## CADDY

### Assembly Instructions

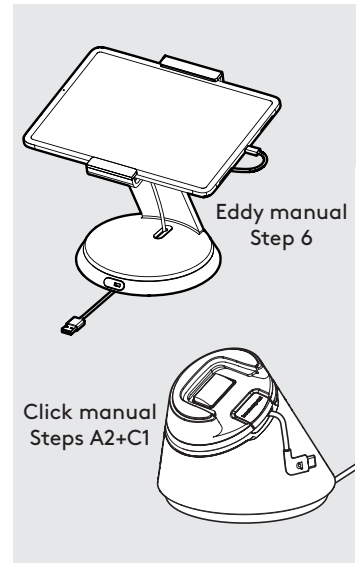
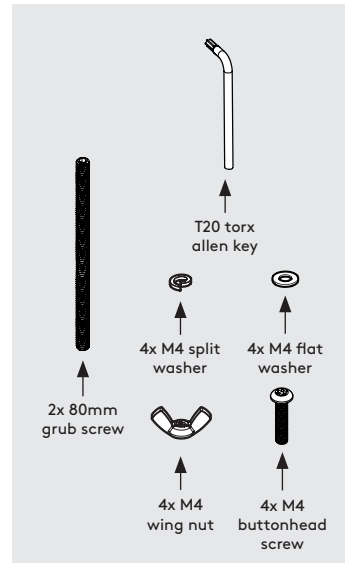
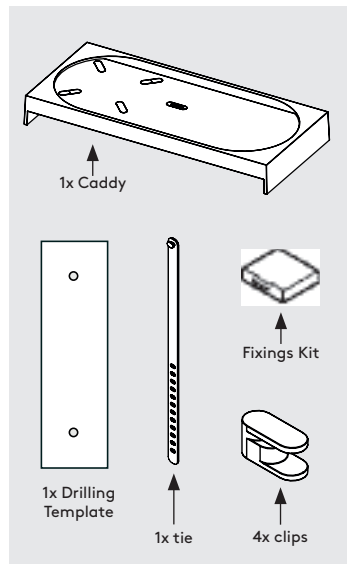
Unless specified, instructions are for both Eddy and Click stands.

#### Tools Required to Fix From Below:

- Drill
- 5mm Drill Bit
- Pencil

Sheet Code: BP-IM-070\_REV2\_Combined  
Release Date: 18/05/2022

Copyright 2020 Spotspot Ltd. (T/A Bouncepad) all rights reserved. Confidential, no part of this publication may be reproduced or transmitted in any form without the written permission of the copyright holder.



In the Caddy Box

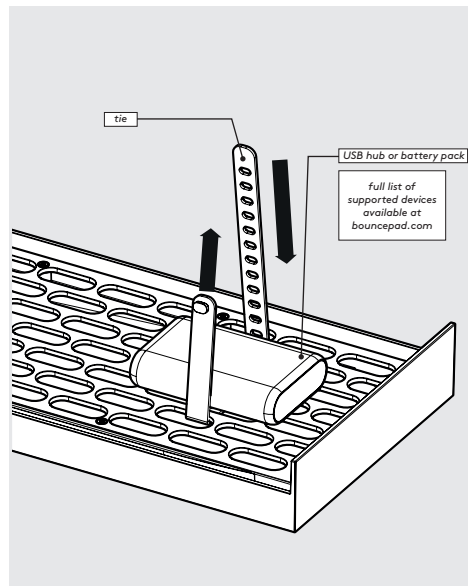


#### Fixings List

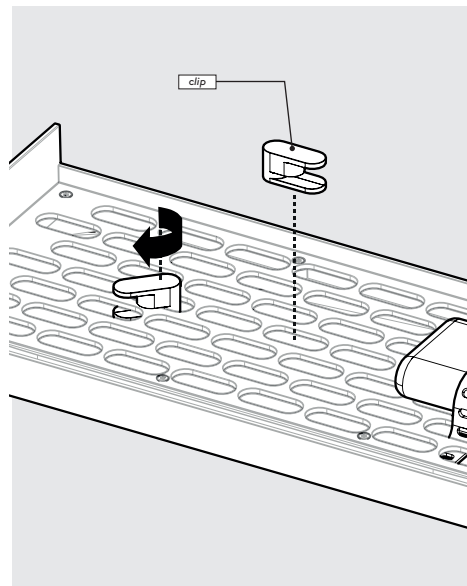
\* Due to the modular nature of our product range you may receive additional fixings in the fixings kit



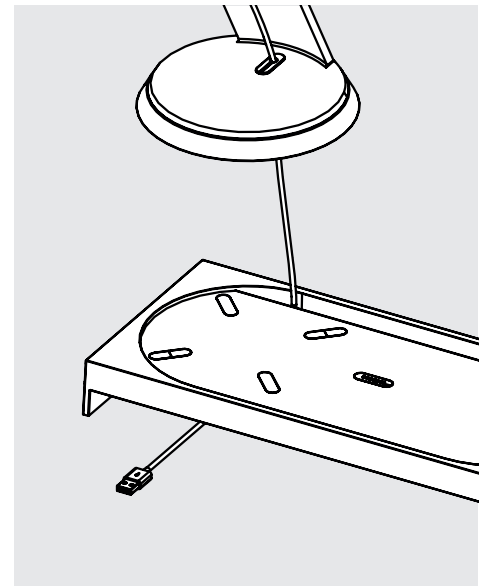
1 Complete separate Eddy or Click manuals until steps shown above.



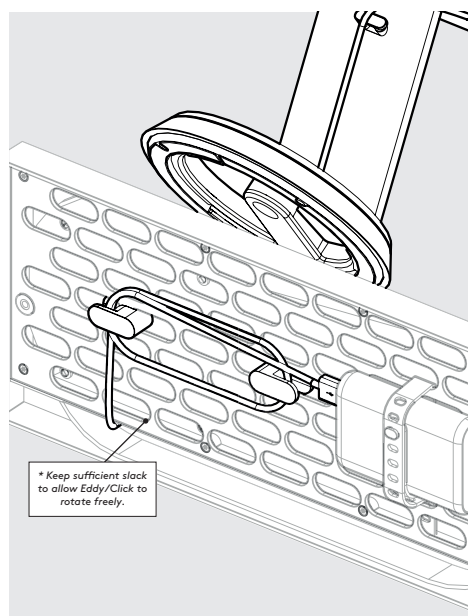
2 Insert the tie through the grill and then clasp over the device.



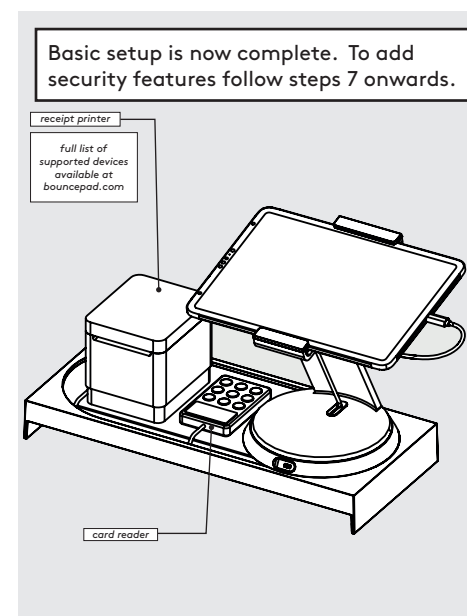
3 Insert the cable management clips into the grill, then twist to secure.



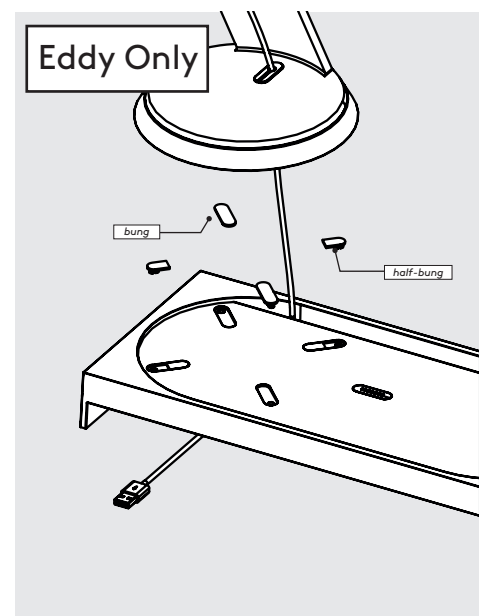
4 Feed your Eddy/Click charge cable through the channel.



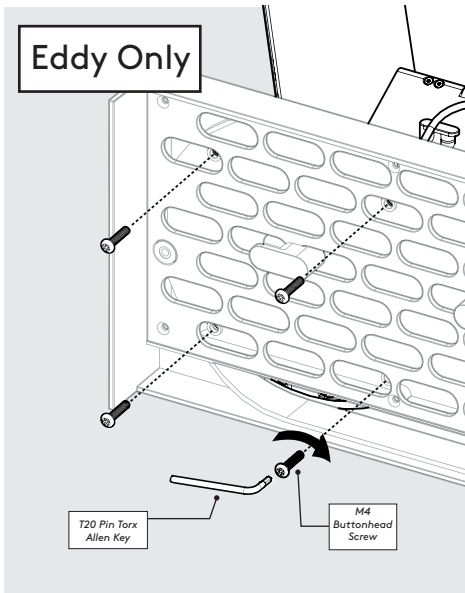
5 Wrap the charge cable around the clips and plug into the power source.



6 Additional devices are connected by repeating step 2.



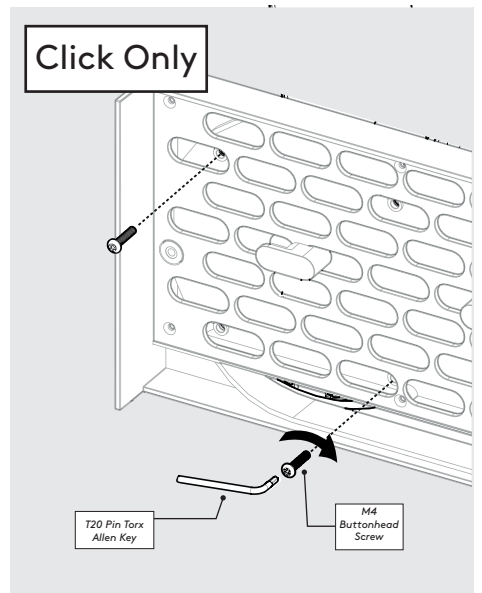
7 Lift up the Eddy Stand and remove bungs and OUTER half-bungs from Caddy.



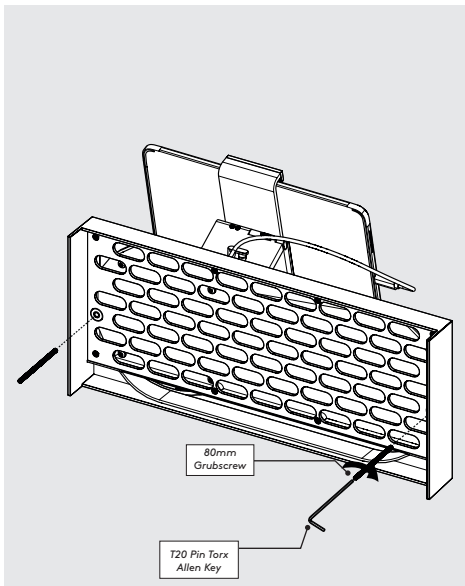
**9** Attach 4x M4 buttonhead screws through the tray and into the stand.



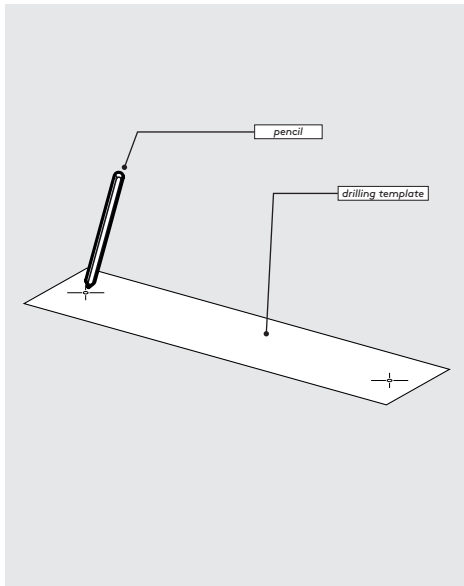
**9** Lift up the Click Stand and remove the INNER half-bungs from Caddy.



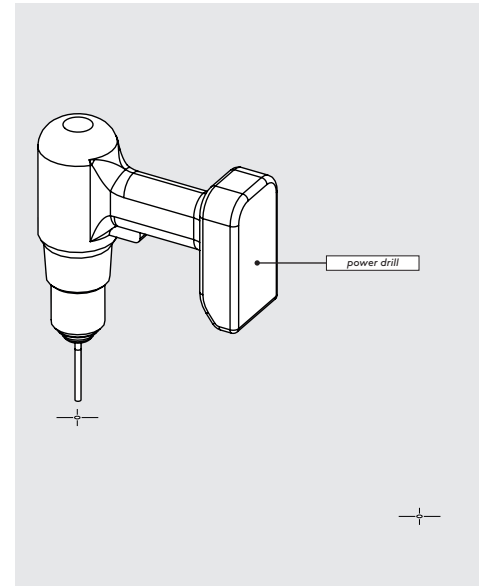
**10** Attach 2x M4 buttonhead screws through the tray and into the stand.



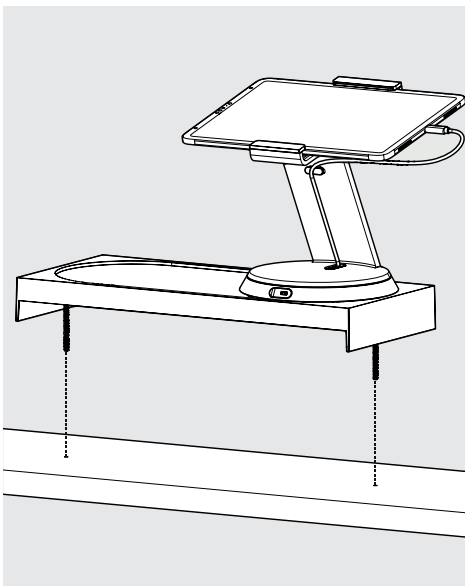
**11** Screw M4 80mm grubscrews into Caddy until finger tight.



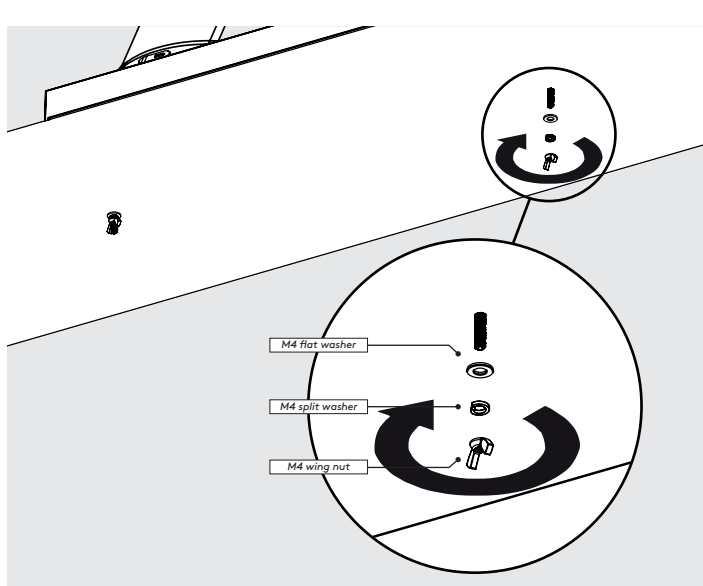
**12** Place the drilling template over the surface and mark the holes with a pencil.



**13** Use a hand drill with 5mm bit to make holes through your surface.



**14** Insert the assembled product through the pilot holes.



**15** Attach illustrated washers and tighten wingnuts by hand. Caddy is now securely attached to your surface.

**Assembly Complete**