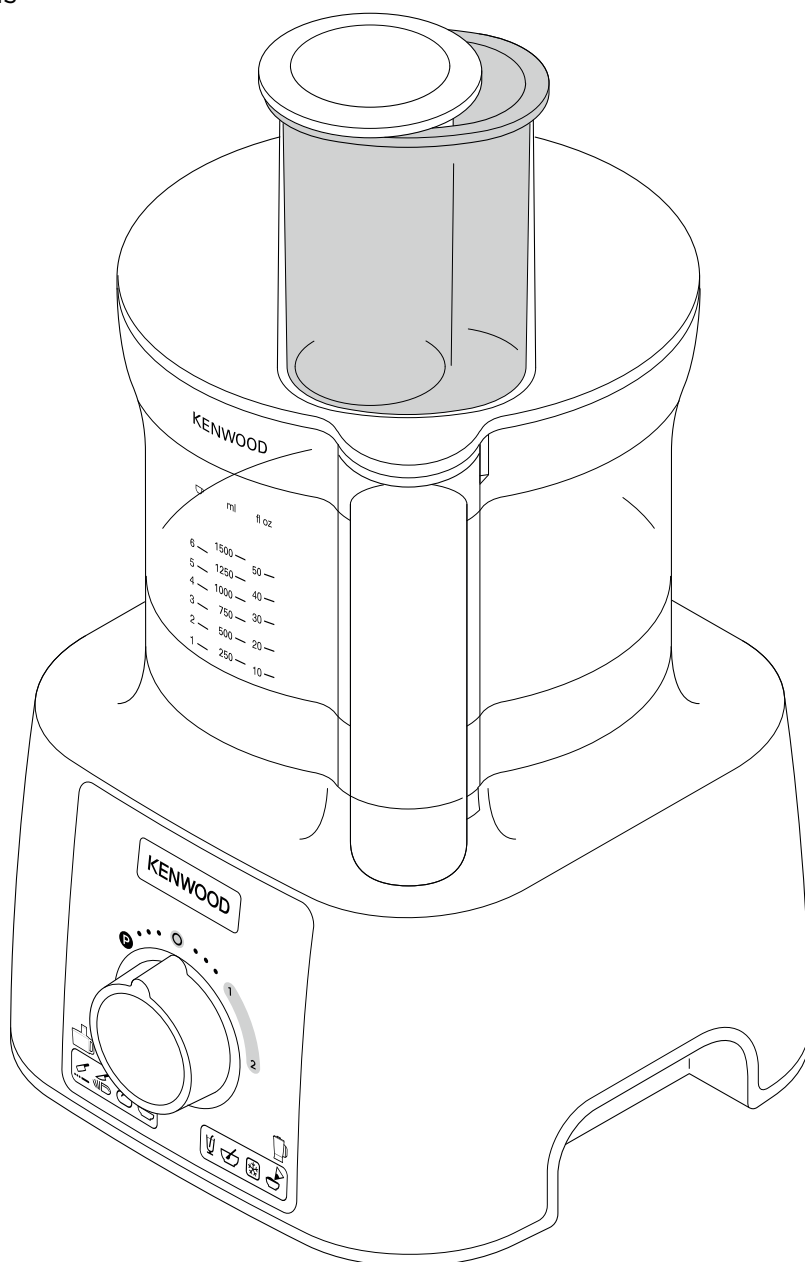


KENWOOD

multipro Express TYPE: FDP65

Instructions

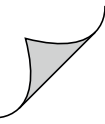


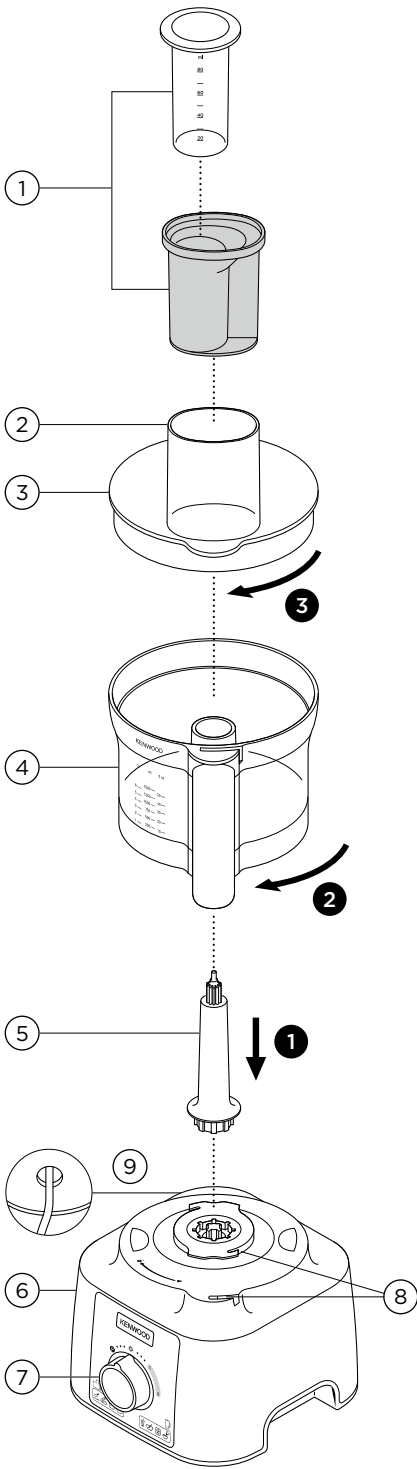
English

2 - 14

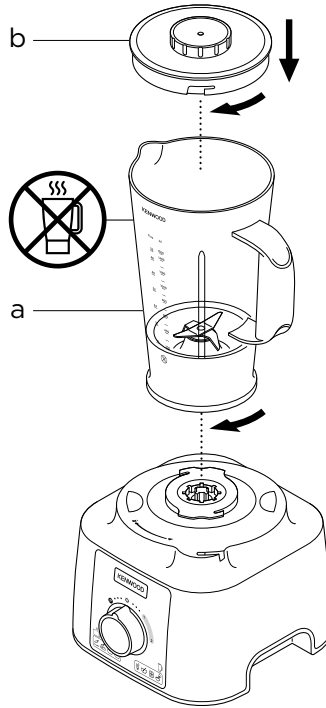
عربي

٢٦ - ١٥

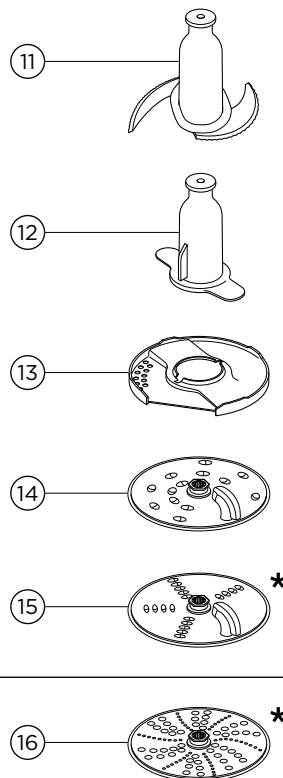




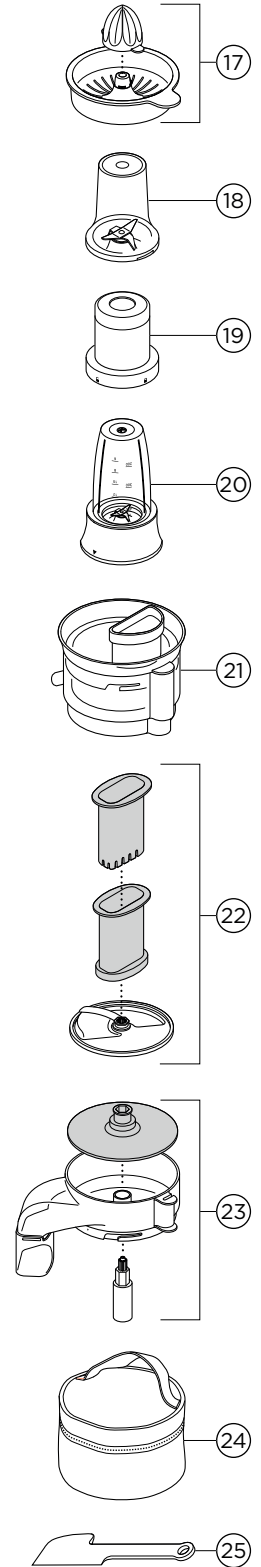
10 Plastic blender *



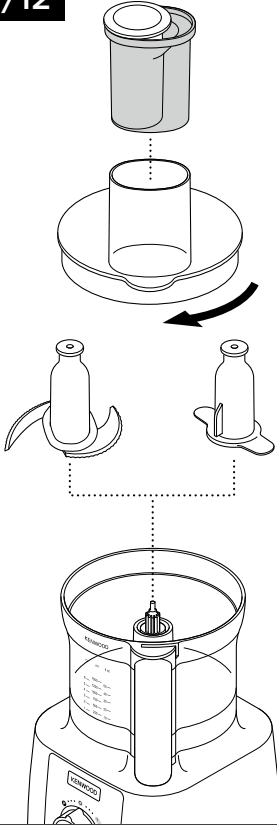
Standard attachments



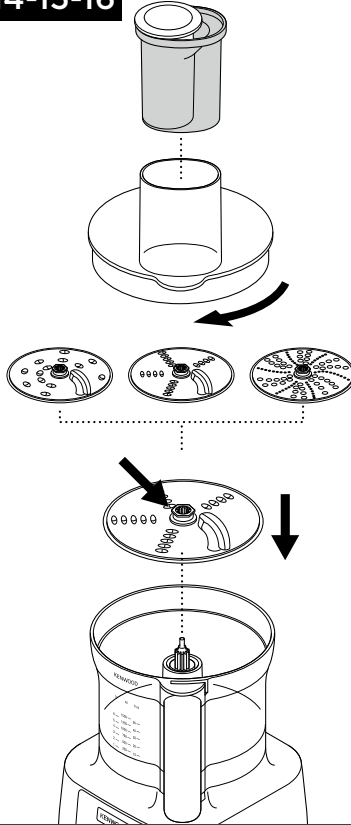
Optional attachments*



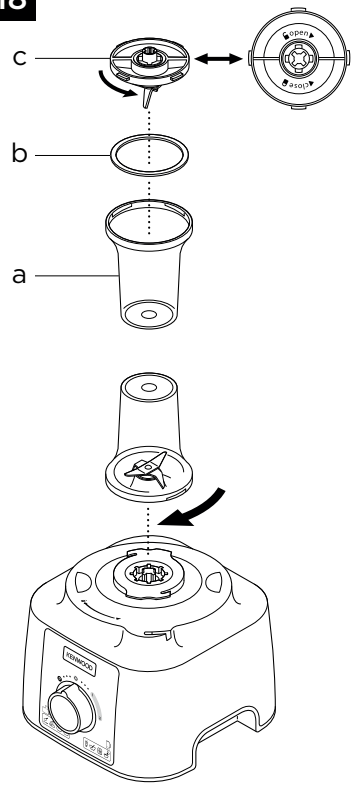
11/12



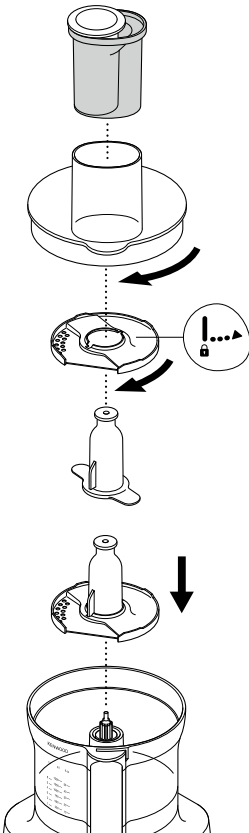
14-15-16



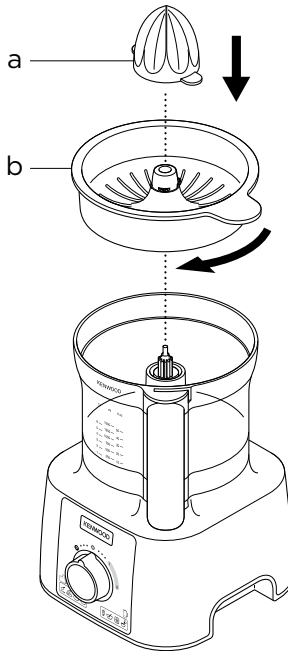
18



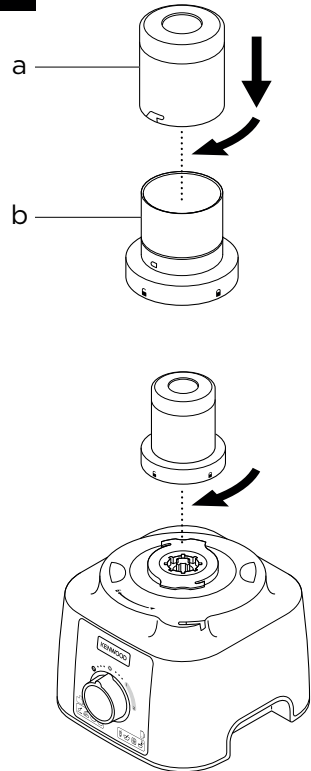
13



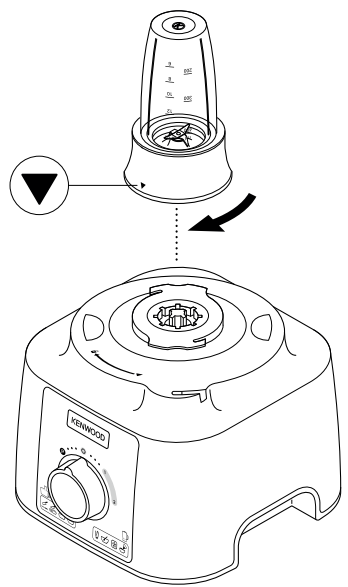
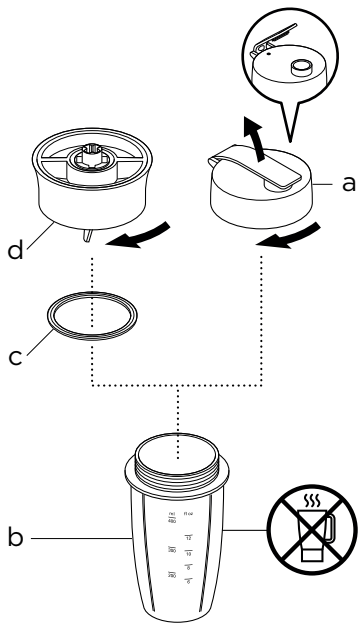
17



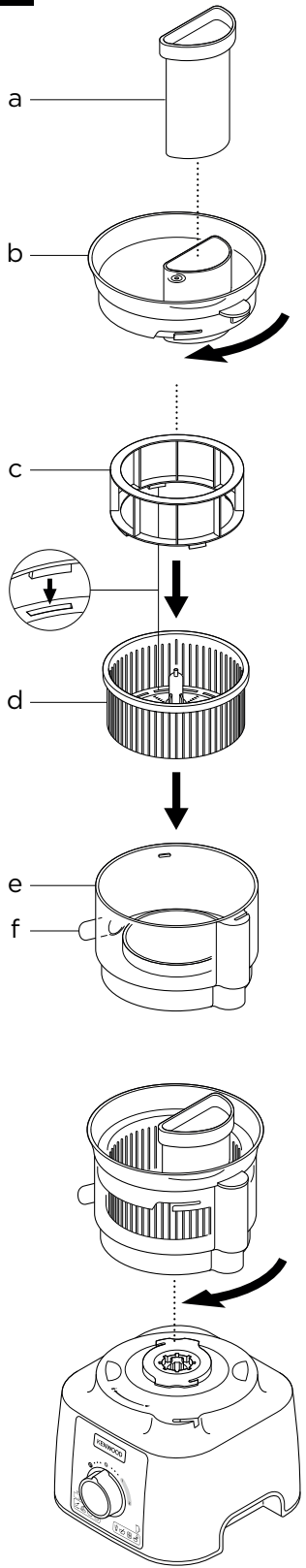
19



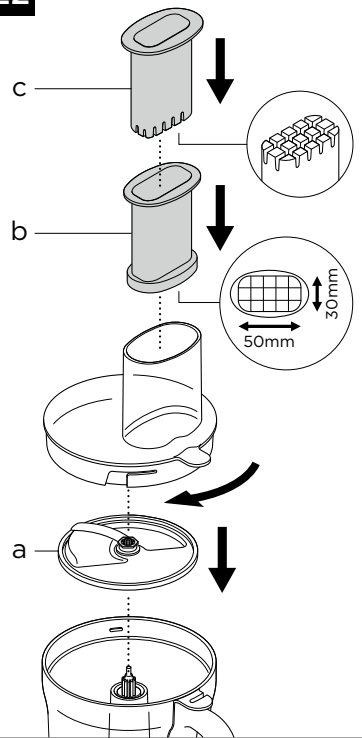
20



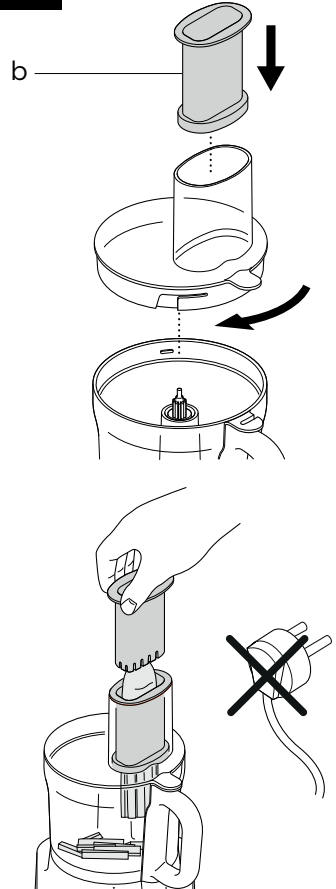
21

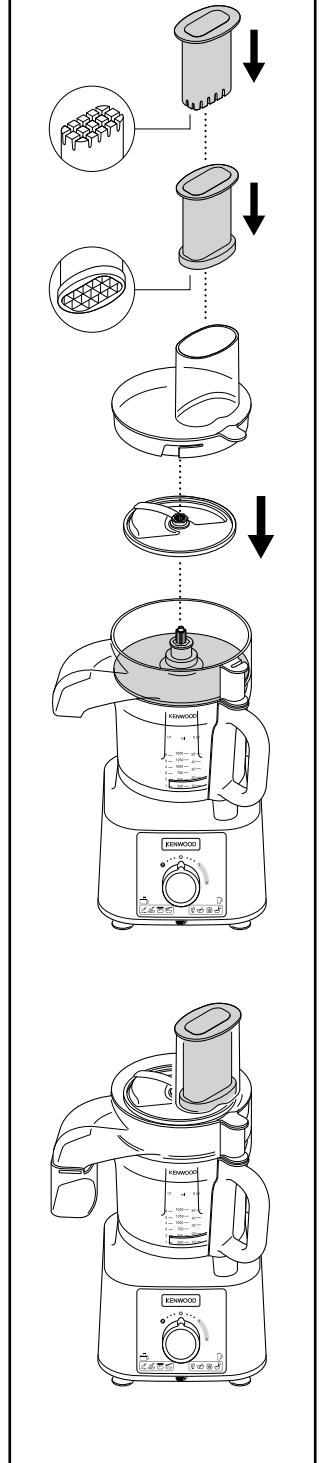
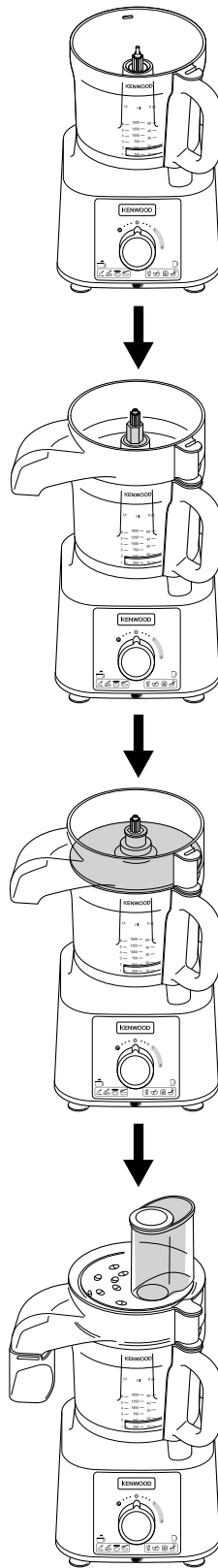
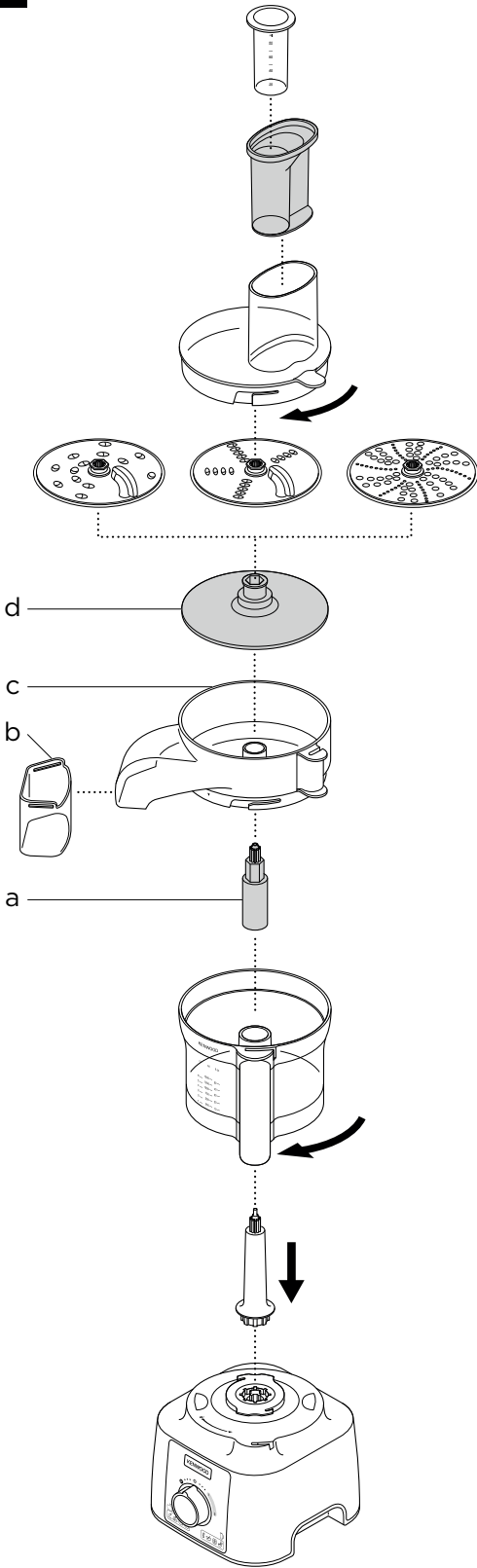


22

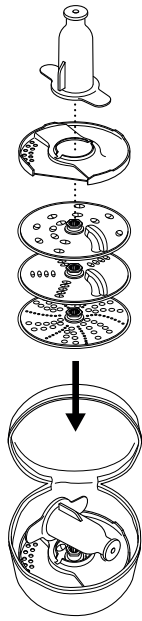


22A

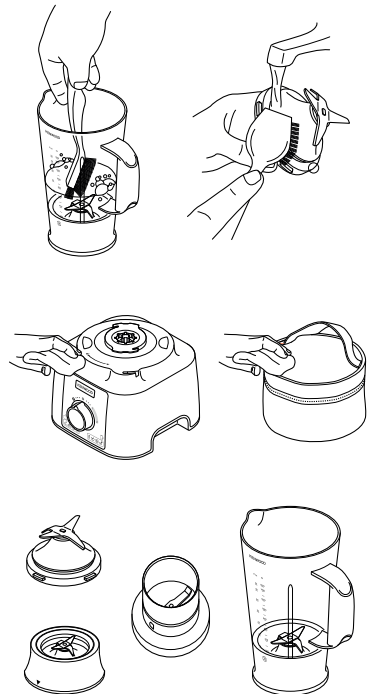
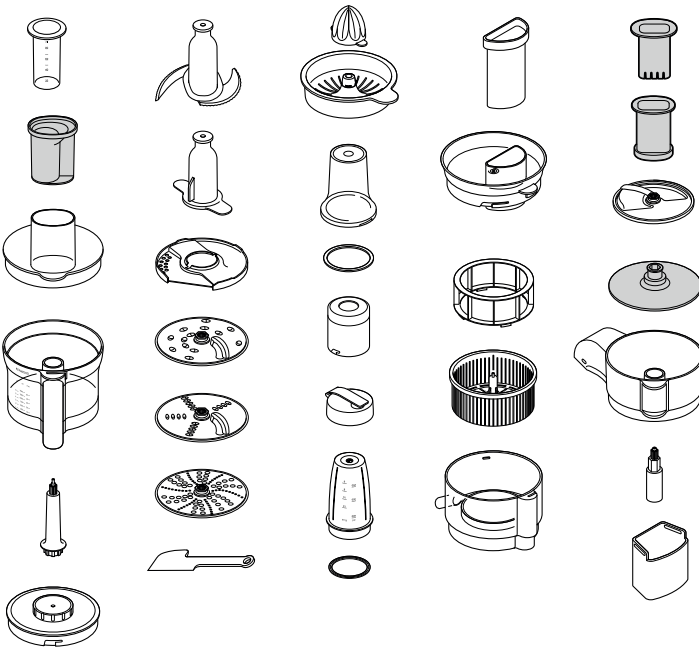




24



25



Safety


- Read these instructions carefully and retain for future reference.
- Remove all packaging and any labels.
- If the plug or cord is damaged it must, for safety reasons, be replaced by Kenwood or an authorised Kenwood repairer in order to avoid a hazard.
- **DO NOT touch the sharp blades.** The blades and discs are very sharp, handle with care. **Always hold by the finger grip at the top, away from the cutting edge, when handling the sharp cutting blades, emptying the bowl and during cleaning.**
- **DO NOT process hot ingredients.**
- **Be careful if hot liquid is poured into the food processor or blender as it can be ejected out of the appliance due to sudden steaming.**
- Never leave the appliance unattended when it is operating.
- Do not exceed the maximum capacities stated in the recommended usage chart.
- **Do not operate your appliance for longer than the times specified below without a rest period. Processing continuously for longer periods can damage your appliance.**

Function/Attachment	Maximum Operation Time	Rest Period Between Operations
Blender/Blend-Xtract 2GO	60 secs	Unplug the appliance and allow to cool down for 15 minutes
Heavy mixtures in the bowl (e.g. Dough)	60 secs	
Mini Chopper/Mill	30 secs	
Grinding Mill	60 secs	

- Do not lift or carry the processor by the handle - or the handle may break resulting in injury.
- Always remove the knife blade before pouring contents from the bowl.
- Keep hands and utensils out of the processor bowl and blender goblet whilst connected to the power supply. If food needs to be pushed down use a suitable utensil such as a spatula.
- Always switch off the appliance and disconnect from the supply if it is left unattended and before assembling, disassembling or cleaning.
- Never use your fingers to push food down the feed tube. Always use the pusher supplied.
- **Never fit the blade assembly to the power unit without the bottle or mill jar/lid fitted.**
- CAUTION: Before removing the lid from the bowl, blender or mill from the power unit:

- switch off;
- wait until the attachment/blades have completely stopped;
- be careful not to unscrew the bottle or mill jar/lid from the blade assembly.
- Do not use the lid to operate the processor, always use the on/off speed control.
- **This appliance will be damaged and may cause injury if the interlock mechanism is subjected to excessive force.**
- Never use an unauthorised attachment.
- Never use a damaged appliance. Get it checked or repaired: see 'service and customer care'.
- Never let the power unit, cord or plug get wet.
- Do not let excess cord hang over the edge of a table or worktop or touch hot surfaces.
- Children should be supervised to ensure that they do not play with the appliance.
- This appliance shall not be used by children. Keep the appliance and its cord out of reach of children.
- Appliances can be used by persons with reduced physical, sensory or mental capabilities or lack of experience and knowledge if they have been given supervision or instruction concerning use of the appliance in a safe way and if they understand the hazards involved.
- Only use the appliance for its intended domestic use. Kenwood will not accept any liability if the appliance is subject to improper use, or failure to comply with these instructions.
- Misuse of your processor, blender or mill can result in injury.
- The maximum rating is based on the mini chopper/mill attachment that draws the greatest load. Other attachments may draw less power.

Blender/Blend-Xtract 2GO

-  **DO NOT process hot ingredients.**
- **SCALD RISK:** Hot ingredients must be allowed to cool to room temperature before placing in the goblet/bottle or before blending.
- Always take care when handling the blade assembly and avoid touching the cutting edge of the blades when cleaning.
- Only operate the blender with the lid in place.
- Never run the blender empty.
- Smoothie recipes - never blend frozen ingredients that have formed a solid mass during freezing, break it up before adding to the goblet/bottle.

Blend-Xtract 2GO

- Only use the bottle with the blade assembly supplied.
- Never drink any hot liquids from the bottle.
- When drinking through the lid, take care that the drink is smooth. Some experimentation may be necessary to achieve

the desired result, particularly when processing firm or unripened foods as you may find that some ingredients remain unprocessed.

- Do not blend frozen ingredients or ice cubes without liquid.
- Never blend dry ingredients (e.g. spices, nuts) or run the Blender empty.

Mill Attachments

- Never fit the blade assembly to the power unit without the jar/lid fitted.
- Never unscrew the jar/lid while the mill is fitted to your appliance.
- Do not touch the sharp blades – Keep the blade assembly away from children.
- Never remove the mill until the blades have completely stopped.
- The appliance will not work if the mill is incorrectly fitted.
- Do not process hot ingredients in the mill allow to cool down to room temperature before processing.

Mini Chopper/Mill

- The processing of spices is not recommended as they may damage the plastic parts.

Grinding Mill

- Do not process dried turmeric root as it is too hard and may damage the blades.

Juice extractor

- Do not use the juicer if the filter, juicer lid or bowl are damaged or has visible cracks.
- The cutting blades on the base of the filter drum are very sharp, take care when handling and cleaning the drum.
- Only use the pusher supplied. Never put your fingers in the feed tube. Unplug before unblocking the feed tube.
- Before removing the lid, switch off and wait for the filter to stop.

Express Dice/Express Serve Attachment and Discs

- The cutting grid and discs are very sharp; handle with care when fitting, removing and cleaning. **Always hold by the finger grip away from the cutting edge when handling the sharp cutting blades, emptying the bowl and during cleaning.**
- Never use your fingers to push food down the feed tube. Only use the pusher supplied.
- Do not use excessive force to push food down the feed tube – you could damage your attachment.

- Before removing the lid, switch off and wait until the disc has completely stopped.
- Do not pour hot liquids down the feed tube.

Express Serve

- Avoid contact with moving parts. Keep fingers out of the food outlet opening.
- Do not operate when using the Dicer or Discs without the slinger plate fitted. **If the slinger plate is not fitted food will clog under the plate and not exit the food outlet, resulting in damage to your attachment.**
- The citrus juicer is not designed to be used with the Express Serve. Always use the citrus juicer with the main bowl.

Cleaning

- Wipe the power unit with a damp cloth, then dry. Ensure that the interlock area ⑧ is clear of food debris.
- Do not immerse the power unit, blade assemblies or blender base in water.
- The bowl, lid, pusher and all attachments/tools apart from the blade assemblies and blender are suitable for both handwashing and dishwashing.
- The blade assemblies should be brushed clean and rinsed under running water.
- Blender - Fill with warm water, fit the lid, then switch on for 20-30 seconds. Empty, then rinse. If it is still dirty use a brush. Wipe, then leave to air-dry.

Before plugging in

- Make sure your electricity supply is the same as the one shown on the underside of your appliance.

Important – Plug and Fuse Information

- The wires in the cord are coloured as follows:
Blue = Neutral
Brown = Live
- If the plug supplied with your appliance has a fuse fitted and the fuse fails it must be replaced with one of the same rating.
- If the plug or cord requires replacing a new cord set should be fitted by an Authorised Kenwood Repairer.

Note:

- For non-rewireable plugs the fuse cover MUST be refitted when replacing the fuse. If the fuse cover is lost then the plug must not be used until a replacement can be obtained. The correct fuse cover is identified by colour and a replacement may be obtained from your Kenwood Authorised Repairer (see Service).
- If a non-rewireable plug is cut off it must be DESTROYED IMMEDIATELY. An electric shock hazard may arise if an unwanted non-rewireable plug is inadvertently inserted into a socket outlet.
- This appliance conforms to EC Regulation 1935/2004 on materials and articles intended to come into contact with food.

Before using for the first time

- 1 Remove the plastic blade covers from the knife blade. **Take care the blades are very sharp.** These covers should be discarded as they are to protect the blade during manufacture and transit only.
- 2 Wash the parts see 'care and cleaning'.

Key

Processor - Express Prep

- ① Pushers
 - ② Feed tube
 - ③ Lid
 - ④ Bowl
 - ⑤ Detachable drive shaft
 - ⑥ Power unit
 - ⑦ Speed/pulse control
 - ⑧ Safety interlocks
 - ⑨ Cord storage (at back)
- ⑩ Plastic Blender (if supplied)
- a Goblet with fixed blade
 - b Lid with drip feed

A Standard Attachments

- ⑪ Knife blade
- ⑫ Dough tool
- ⑬ Emulsifying disc
- ⑭ 4mm slicing/grating disc

Not all of the attachments listed below may be included with your food processor. Attachments are dependent upon the model variant. Visit www.kenwoodworld.com for information on how to buy an attachment not included in pack.

B Optional Attachments

- ⑮ 2mm slicing/grating disc (if supplied)
- ⑯ Extra fine grating disc (if supplied)
- ⑰ Citrus juicer (if supplied)
- ⑱ Mini chopper/mill (if supplied)
- ⑲ Grinding mill (if supplied)
- ⑳ Blend-Xtract 2GO (if supplied)
- ㉑ Juice extractor (if supplied)
- ㉒ Express Dice (if supplied)
- ㉓ Express Serve (if supplied)
- ㉔ Storage bag (if supplied)
- ㉕ Spatula

To Use Your Food Processor

Illustrations ① - ③

- 1 Fit the detachable drive shaft onto the power unit.
- 2 Then fit the bowl to the power unit and turn clockwise until it locks into position.
- 3 Fit an attachment over the bowl drive shaft.
 - Always fit the bowl and attachment onto the processor before adding ingredients.
- 4 Fit the lid - ensuring the top of the drive shaft/tool locates into the centre of the lid.

- **Do not use the lid to operate the processor, always use the on/off speed control.**
- 5 Plug in, switch on and select a speed. (Refer to the recommended usage chart).
- **The processor will not operate if the bowl or lid are not fitted correctly into the interlock. Check that the feed tube and bowl handle are situated to the right front hand corner.**
- Use the pulse (**P**) for short bursts. The pulse will operate for as long as the control is held in position.
- 6 Reverse the above procedure to remove the lid, attachments and bowl.
- **Always switch off and unplug before removing the lid.**

Important

- Your processor is not suitable for crushing or grinding coffee beans, or converting granulated sugar to caster sugar.
- When adding almond essence or flavouring to mixtures avoid contact with the plastic as this may result in permanent marking.

Using The Attachments

Refer to the usage chart, illustrations and relevant section for each attachment.

⑩ Plastic Blender (if supplied)

- 1 To assemble and use - refer to the Blender illustrations and the Recommended Usage Chart.
 - 2 Put your ingredients into the goblet.
 - 3 Fit the lid onto the goblet and turn clockwise until it clicks.
 - 4 Fit the blender to the power unit and turn clockwise to lock in position.
- **The appliance will not operate if the blender is incorrectly fitted to the interlock.**

Hints and Tips

- When making mayonnaise, put all the ingredients, except the oil, into the blender. With the appliance running, pour the oil slowly through the drip feed hole in the lid.
- Thick mixtures, e.g. pâtés and dips, may need scraping down. If the mixture is difficult to process, add more liquid.
- The processing of spices is not recommended as they may damage the plastic parts.

11 Knife Blade

Follow the instructions under 'To Use Your Food Processor'.

Hints and Tips

- For coarser textures use the pulse control.
- Cut food such as meat, bread, vegetables into cubes approximately 2cm.
- Biscuits should be broken into pieces and added down the feed tube whilst the appliance is running.
- Take care not to over-process.
- When making pastry use fat straight from the fridge cut into 2cm cubes.
- For best results when processing sticky fruit/ingredients such as dates, use 'Pulse' first to break down the ingredients and then continue processing on maximum speed.

12 Dough Tool

Use for yeasted dough mixes.

Follow the instructions under 'To Use Your Food Processor'.

Hints and Tips

- Do not process for longer than 60 seconds.
- Place the dry ingredients in the bowl and add the liquid down the feed tube whilst the appliance is running. Process until a smooth elastic ball of dough is formed.
- Re-knead by hand only. Re-kneading in the bowl is not recommended as it may cause the processor to become unstable.

13 Emulsifying Disc

(use in conjunction with Dough Tool **12**)

- 1 Fit the emulsifying disc over the dough tool - align the fins on the dough tool with the slots in the disc.
- 2 Turn the dough tool anti-clockwise to lock in place.
- 3 To separate the parts turn clockwise and lift the disc off the dough tool shaft.

Hints and Tips

- Ensure the bowl and tool are clean and free from grease before use.
- Mayonnaise - Place the egg and seasonings into the bowl and mix for a few seconds. With the machine running gradually add the oil down the feed tube in a steady stream.

14 - 15 - 16 Discs

- 1 Fit the drive shaft and bowl onto the power unit.
- 2 Holding by the centre grip, place the disc onto the drive shaft with the appropriate side uppermost.
- 3 Fit the lid.
- 4 Put the food in the feed tube. Choose which size feed tube you want to use.
To use the small feed tube - first put the large pusher inside the feed tube. Use for individual thin ingredients.
Do not use the small pusher without the larger pusher fitted, otherwise you may damage the bottom of the pusher.
To use the large feed tube - use both pushers together.
- 5 Switch on and push down evenly with the pusher **1** - **never put your fingers in the feed tube.**

Hints and Tips

- Use fresh ingredients
- Do not cut food too small. Fill the width of the feed tube fairly full. This prevents the food from slipping sideways during processing.
- When slicing or grating: food placed upright comes out shorter than food placed horizontally.
- There will always be a small amount of waste on the disc or in the bowl after processing.

17 Citrus Juicer (if supplied)

- a Cone
- b Sieve

To use the citrus juicer

- 1 Fit the drive shaft and bowl onto the power unit.
- 2 Fit the sieve into the bowl - ensuring the sieve handle is locked into position directly over the bowl handle.
- 3 Place the cone over the drive shaft turning until it drops all the way down.
- 4 Cut the fruit in half. Then switch on and press the fruit onto the cone.
• The citrus juicer will not operate if the sieve is not locked correctly.

Hints and Tips

- For best results store and juice the fruit at room temperature and hand roll on a worktop before juicing.
- To help with juice extraction move the fruit from side to side when juicing.
- When juicing large quantities, empty the sieve regularly to prevent the build up of pulp and seeds.

18 Mini Chopper/Mill (if supplied)

- a Jar
- b Sealing ring
- c Blade assembly

- 1 Put the ingredients into the jar.
- 2 Fit the sealing ring into the blade assembly.
- 3 Turn the blade assembly upside down. Lower it into the jar, blades down.
- 4 Screw the blade assembly onto the jar until finger tight. Refer to the graphics on the underside of the blade assembly as follows:

 - Unlocked position

 - Locked position

- 5 Place the mill onto the power unit and turn clockwise to lock in position
- 6 Select Maximum speed or use the pulse (P).

Hints and Tips

- Baby food/purée - allow cooked food to cool down to room temperature before processing in the mill.
- For best results the main bowl is recommended when chopping herbs.

19 Grinding Mill (if supplied)

- a Mill lid
- b Grinding mill blade assembly

- 1 Place your ingredients into the blade assembly.
- 2 Fit the lid and turn clockwise to lock.
- 3 Place the mill onto the power unit and turn clockwise to lock.
- 4 Select maximum speed or use the pulse (P).

Hints and Tips

- For optimum performance when processing spices do not process more than 50g at a time.
- Whole spices retain their flavour for a much longer time than ground spices so it is best to grind a small quantity fresh at a time to retain the flavour.
- To release the maximum flavour and essential oils whole spices are best roasted prior to milling.
- Do not process dried turmeric root in the mill as it is too hard and may damage the blades.
- Cut ginger and coconut into small pieces before processing.
- For best results the main bowl is recommended when chopping herbs.

20 Blend-Xtract 2GO (if supplied)

- a Dispensing lid
- b Bottle
- c Sealing ring
- d Blade assembly

- 1 Add ingredients to the bottle up to the 400ml level mark.
 - For best blending performance always add ice/frozen ingredients to the bottle first.
 - When adding frozen ingredients (i.e. frozen fruit, yoghurt, ice cream or ice) do not blend more than 60g or 3 ice cubes.
 - Do not blend frozen ingredients without liquid.
- 2 Fit the sealing ring to the blade unit, ensuring the seal is located correctly in the grooved area.
 - Leaking will occur if the seal is damaged or incorrectly fitted.
- 3 Hold the underside of the blade unit and lower it onto the bottle, blades down.
- 4 Screw the blade holder onto the bottle - turn clockwise to lock.
 - Shake to disperse the ingredients.
 - Place the blender onto the power unit and turn clockwise to lock.
- 5 Select maximum speed. Allow the ingredients to blend until smooth.
 - Once your drink has reached the desired consistency, you can use the pulse (P) to ensure all ingredients are thoroughly blended.

Hints and Tips

- Note that when the bottle is filled to max capacity (400ml), this is approximately two servings.
- If you do not intend to consume your drink immediately, keep it refrigerated.
- Ensure your drink is thin enough to be able to drink from the dispensing lid. To make a thinner drink add more liquid.
- After blending, some drinks may not be completely smooth due to seeds or the fibrous nature of ingredients.
- Some drinks may separate on standing, therefore it is best to drink them straight away. Separated drinks should be stirred before drinking.
- When the dispensing lid is fitted always keep the bottle upright.

Using the drinking lid

- 1 Fit and lock the lid by turning clockwise.
- 2 When you want to drink, simply flip open the lid cover. The drink can be consumed straight from the bottle.

21 Juice Extractor (if supplied)

- a Pusher
- b Juicer lid
- c Pulp remover
- d Filter drum
- e Bowl
- f Juicing spout

To use the juice extractor

- 1 Fit the juicer bowl to the power unit, turn clockwise until it locks - the spout should be situated to the left side when the bowl is fitted correctly.
 - 2 Place the pulp remover into the filter drum - ensuring the tabs locate with the slots in the bottom of the drum.
 - 3 Fit the filter drum
 - 4 Fit the attachment lid - turn clockwise until it locks. **Your juicer will not operate if the bowl or lid are not fitted correctly into the interlock .**
 - 5 Place a suitable glass or jug under the juice outlet.
 - 6 Cut the food to fit the feed tube.
 - 7 Switch on and push down evenly with the pusher - never put your fingers in the feed tube. Process fully before adding more.
- After adding the last piece, let the juicer run for a further 30 seconds to extract all the juice from the filter drum.

important

- If the juicer starts to vibrate, switch off and empty the pulp from the drum. The juicer vibrates if the pulp becomes unevenly distributed.
- Some very hard foods may make your juicer slow down or stop. If this happens switch off and unblock the filter.
- Switch off and clear the pulp collector regularly during use.

Hints and Tips

- Before processing remove stones and pips (eg pepper, melon, plum) and tough skins (e.g. melon, pineapple). You do not need to peel or core apples and pears.
- Use firm, fresh fruit and vegetables.

22 Express Dice (if supplied)

- a Dicing disc
- b Dicing grid
- c Dicing pusher

Important

- The dicing disc is designed only to be used with the dicing attachment.
- The dicing pusher should only be used with the dicing grid. Using it without the dicing grid fitted will result in damage to the bottom of the pusher.

To use the Express Dice

- 1 Fit the drive shaft and bowl onto the power unit.
- 2 Add the dicing disc and fit the lid.
- 3 Fit the dicing grid into the feed tube.
- 4 Switch on and use the dicing pusher to process food items through the dicing grid.

Hints and Tips

- To assist with processing place both hands on top of the pusher and press down firmly.
- For best results, use fresh fruit and vegetables.
- To prevent the food from jamming do not pack the food tightly in the feed tube - ideally the food should be cut no larger than:



50 × 30mm

- If the food is too hard to push through the grid cook for approximately 10-15 minutes, then allow to cool in a refrigerator before processing.
- Always remove hard skins, stones, pips and seeds etc., from food before processing.

Note:

- Due to the various sizes and shapes of foods, the diced results will contain some misshapen pieces, this is normal.
- Foods such as cheese, ham, and chorizo will clog in the grid so are not recommended for use with this attachment.

22A The Express Dice can also be used to produce French fries, crudités and batons.

- 1 Fit the dicing grid without the dicing disc.
- 2 Then manually push the food through the grid without switching the appliance on.

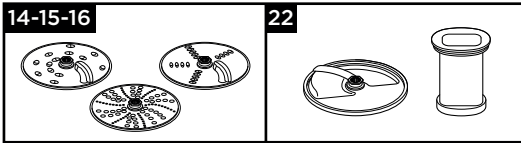
Cleaning the grid

Use the end of the pusher to dislodge any food which may become trapped in the dicing grid.

23 Express Serve (if supplied)

- a Express serve drive shaft
 - b Extension chute
 - c Base
 - d Slinger plate
- 1 Fit the drive shaft and bowl onto the power unit.
 - 2 Fit the small drive shaft to the main shaft - **the Express serve will not operate unless fitted.**
 - 3 Fit the required attachment/disc - do not apply excessive force. Refer to the Discs and Express Dice sections for further information, hints and tips.
 - 4 Fit the lid.

Use in conjunction with the following:



Important - Dicer and Discs

- If the food is not exiting the food outlet, switch off and check that food is not clogging under the disc and the slinger plate is fitted. Clear any trapped food before continuing to process.

24 Storage Bag

Store your discs, emulsifying disc and dough tool in the bag supplied.

For safety reason the knife blade should be stored in the main bowl instead of the storage bag when not in use.

Care and Cleaning

- Always switch off and unplug before cleaning.
- **Handle the blade and cutting discs with care - they are extremely sharp.**
- Some foods may discolour the plastic. This is perfectly normal and will not harm the plastic or affect the flavour of your food. Rub with a cloth dipped in vegetable oil to remove the discolouration.

Power Unit

- Wipe with a damp cloth, then dry. Ensure that the interlock area (8) is clear of food debris.
- Do not immerse the power unit in water.
- Push any excess cord into the storage area at the back of the power unit (9).

Cleaning Instructions - Refer to the relevant Illustration **25**.

Service and Customer Care

UK

If you need help with:

- using your appliance or
 - servicing, spare parts or repairs (in or out of guarantee)
- ☎ call Kenwood customer care on **0345 222 0458. Have your model number (e.g. TYPE: FDP65) and date code (5 digit code e.g. 21T04) ready.** They are on the underside of the power unit.
- **spares and attachments**
- ☎ call 0844 557 3653.

Other countries

- If you experience any problems with the operation of your appliance, before requesting assistance refer to the 'Troubleshooting Guide' section in the manual or visit www.kenwoodworld.com.
- Please note that your product is covered by a warranty, which complies with all legal provisions concerning any existing warranty and consumer rights in the country where the product was purchased.

- If your Kenwood product malfunctions or you find any defects, please send it or bring it to an authorised KENWOOD Service Centre. To find up to date details of your nearest authorised KENWOOD Service centre visit www.kenwoodworld.com or the website specific to your Country.

- Designed and engineered by Kenwood in the UK.
- Made in China.



IMPORTANT INFORMATION FOR CORRECT DISPOSAL OF THE PRODUCT IN ACCORDANCE WITH THE EUROPEAN DIRECTIVE ON WASTE ELECTRICAL AND ELECTRONIC EQUIPMENT (WEEE)

At the end of its working life, the product must not be disposed of as urban waste. It must be taken to a special local authority differentiated waste collection centre or to a dealer providing this service.

Guarantee UK only

- If your food processor goes wrong within one year from the date you bought it, we will repair it (or replace it if necessary) free of charge provided:
- it has been used in accordance with these instructions.
- you have not misused, neglected, or damaged it;

- it has not been modified (unless by KENWOOD);
 - it is not second hand;
 - it has not been used commercially;
 - you have not fitted a plug incorrectly; and
 - **you supply your receipt to show when you bought it.**
- This guarantee does not affect your statutory rights.

Recommended Usage Chart







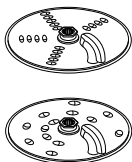


Do not operate your appliance for longer than the times specified below without a rest period.

Do not exceed the maximum capacities stated in the chart below.





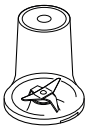
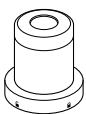


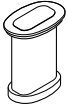

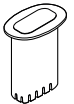

Processing continuously for longer periods can damage your appliance.

Processing information supplied is for guidance only and will vary depending on the exact recipe and ingredients being processed.

Do not process hot ingredients

Tool/ Attachment	Function		 (Secs)	 MAX
	All in one cake mixes	2	10 - 20	1.5kg total weight
	Pastry - rubbing fat into flour Adding water to combine pastry ingredients	2 1 - 2	10 10 - 20	340g flour weight
	Chopping fish and lean meat Pâtés and terrines	2	10 - 30	600g max lean beef
	Chopping vegetables	P	5 - 10	100 - 500g
	Chopping nuts	2	30 - 60	100g - 200g
	Herbs	2	20 - 30	30-50g
	Pureeing soft fruit, cooked fruit and vegetables	2	10 - 30	1kg
	Mayonnaise	2	60 - 80	4 egg yolks
	Whipping cream (Processing times may vary, depending on fat content of cream)	1	15 - 30	250-500ml
	Yeasted mixes	2	60	600g flour weight 1kg total weight
	Grating and slicing firm food items - cheese, carrots, potatoes and foods of a similar texture	2	-	Do not fill above the maximum capacity marked on the bowl
	Slicing softer food items - cucumbers and tomatoes	1	-	
	Grates Parmesan cheese Raspings potatoes	2	-	
	Use to squeeze the juice from citrus fruits e.g. oranges, lemons, limes and grapefruits.	1	-	-

Recommended Usage Chart

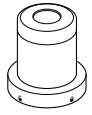
Tool/ Attachment	Function		 (Secs)	 MAX
	Cold liquids and drinks (Add ice/frozen ingredients to goblet last)	2	30 - 60	1.5 litre
	Milkshake/Cold milk based mixtures	2	15 - 30	1 litre
	Ice crushing	P	30 - 40	6 ice cubes (125g)
	Batter mix (Add liquid ingredients first)	1 ↓ 2	10 ↓ 50	1 litre
	Nuts	2	10 - 30	50g
	Coffee beans	2	30	50g
	Prune Marinade 250g clear runny honey 25g small soft prunes 25ml cold water Refrigerate the ingredient overnight	P	5	300g
	Processing spices Black peppercorns, cardamom seeds, cumin seeds, coriander seeds and fennel seeds	2	30 - 60	50g
	Grinding coffee beans	2		50g
	Chopping nuts	P	-	50g
	Processing garlic cloves, fresh chillies and root ginger	P	-	30g
	Fresh coconut	2/P	30 - 60	40g
	Drinks & smoothies	2	30 - 60	400ml
	Fruit and vegetables	2	-	600g
 	Use to cut a variety of foods such as carrot, courgette, cucumber, beetroot and apples into cubes.	2	-	Do not fill above the maximum capacity marked on the bowl
 	Use to cut a variety of foods such as potato, carrot, courgette and cucumber into French Fries and crudités.	Manual		

Troubleshooting Guide		
Problem	Cause	Solution
The processor will not operate.	No Power. Bowl not fitted to power unit correctly. Bowl lid not locked on correctly.	Check processor is plugged in. Check bowl is located correctly and the handle is situated towards the right front hand corner. Check that the lid interlock is located correctly into the handle area. The processor will not work if the bowl and lid are fitted incorrectly.
	Detachable drive shaft ⑤ not fitted to power unit.	Fit the detachable drive shaft ⑤ onto the power unit before fitting the bowl. The bowl tools and attachments will not operate unless the drive shaft is fitted.
Blender, Blend-Xtract 2GO or mill will not operate	Blender, Blend-Xtract 2GO or mill not locked on correctly. Blend-Xtract 2GO or mill not assembled correctly.	Blender, Blend-Xtract 2GO or mill will not operate if fitted incorrectly to the interlock. Check blade assembly is fully tightened into the bottle or jar.
Processor stops during processing	Processor overloaded/ maximum capacities exceeded. Lid unlocked.	Check maximum capacities stated in the recommended usage chart. Check lid is locked correctly.
Blend-Xtract 2GO or multi mill leaking from blade assembly base.	Seal missing Seal incorrectly fitted Seal damaged.	Check seal is fitted correctly and not damaged. To obtain a replacement seal see 'Service and customer care'.
Unit unstable/heavy vibrations and movement.	Sticky fruit/ingredients such as dates being processed. Speed selected too low.	For best results use 'Pulse' first to break down the ingredients and then continue processing on maximum speed.
Poor performance of tools/attachments	Refer to hints in relevant 'using the attachment' section. Check attachments are assembled correctly.	

دليل اكتشاف المشكلات وحلها

المشكلة	السبب	الحل
جهاز تحضير الطعام لا يعمل.	الجهاز غير موصل بمصدر تيار كهربائي. السلطانية غير مركبة على وحدة الطاقة (الموتور) بشكل صحيح. غطاء السلطانية غير مركب بشكل صحيح.	تحقق من السلك الكهربائي وأنه موصل بمنفذ التيار الكهربائي. تأكد من تركيب السلطانية بشكل صحيح وأن المقبض متجه ناحية الركن الأمامي الأيمن. تأكد من تشييق الغطاء العلوي بشكل صحيح في منطقة المقبض. لن يعمل جهاز تحضير الطعام في حالة تركيب السلطانية والغطاء العلوي بشكل غير صحيح. في حالة عدم حل المشكلة بالحلول أعلاه، تحقق من المنصهر/ قاطع الدائرة الكهربائية في المنزل.
المزج، المازج Blend-Xtract 2GO أو المطحنة لا تعمل	محور الدوران القابل للفصل ⑤ غير مُركب بوحدة الطاقة.	رَكِّب محور الدوران القابل للفصل ⑤ في وحدة الطاقة قبل تركيب السلطانية. لن تعمل أدوات السلطانية والملحقات إذا لم يتم تركيب محور الدوران.
المزج، المازج Blend-Xtract 2GO أو المطحنة لا تعمل	المزج، المازج، المازج Blend-Xtract 2GO أو المطحنة غير مستقرين في موضع التثبيت بشكل صحيح. لا يمكن تجميع المازج Blend-Xtract 2GO أو المطحنة بشكل صحيح.	لن يعمل المازج، المازج، المازج Blend-Xtract 2GO أو المطحنة في حالة التركيب بشكل غير صحيح في موضع تشييق القفل. تأكد من ربط وحدة الشفرات بإحكام في الدورق/الزجاجة/وعاء الطحن
توقف جهاز تحضير الطعام أثناء التشغيل.	تجاوز حد التحميل لجهاز تحضير الطعام/تجاوز السعات القصوى	تحقق من السعات القصوى الموصى بها والمحددة في جدول السرعات. تأكد من قفل الغطاء العلوي بشكل صحيح.
المزج Blend-Xtract 2GO أو المطحنة متعددة الاستخدامات بها تسرب من قاعدة مجموعة الشفرات.	حلقة الإحكام غير مركبة. حلقة الإحكام غير مركبة في موضعها جيداً. حلقة الإحكام تالفة.	تحقق من تركيب حلقة الإحكام في موضعها الصحيح وبطريقة صحيحة وأنها غير تالفة. للحصول على حلقة إحكام لاستبدال الحلقة التالفة. راجعي قسم الصيانة ورعاية العملاء
الوحدة غير مستقرة/اهتزازات وحركة شديدة.	تحضير الفاكهة/المكونات اللزجة مثل البلح. السرعة المحددة بطيئة جداً.	للحصول على أفضل النتائج، استخدم "التشغيل النبضي" أولاً لتكسير المكونات ثم تابعي التحضير بأقصى سرعة.
لا تعمل الأدوات/الملحقات بشكل جيد.	راجعي التلميحات المتعلقة بكل أداة أو ملحق في قسم (استخدام الملحق). تأكدي من تركيب الملحقات بشكل صحيح.	

جدول توصيات الاستخدام

الحد الأقصى	(ثانية)		الوظيفة	الأداة/الملحق
١.٥ لتر	٦٠ - ٣٠	٢	(أضيفي الثلج/ المكونات المجمدة إلى الدورق كأخر مكونات)	
١ لتر	٣٠ - ١٥	٢	الحليب المخفوق/الخلطات المستندة إلى حليب بارد	
٦ مكعبات ثلج (١٢٠ غرام)	٤٠ - ٣٠	P	جرش الثلج	
١ لتر	١٠ ↓ ٥٠	١ ↓ ٢	خليط المخفوقات (أضيفي المكونات السائلة أولاً) السوائل والمشروبات الباردة	
٥٠ غرام	٣٠ - ١٠	٢	المكسرات	
٥٠ غرام	٣٠	٢	حبوب القهوة	
٣٠٠ غرام	٥	P	ماريناد البرقوق المجفف ٢٥٠ جرام عسل نحل صافي ٢٥ جرام برفوق مجفف طري صغير ٢٥ مل ماء بارد احتفظي بالمكونات في الثلاجة طوال الليل	
٥٠ غرام	٦٠ - ٣٠	٢	معالجة التوابل فلفل أسود وبذور الهيل والكمون والكزبرة والشمر وقرون الفلفل الحار	
٥٠ غرام		٢	طحن حبوب القهوة	
٥٠ غرام	-	P	فرم المكسرات	
٣٠ غرام	-	P	فرم فصوص الثوم والفلفل الأحمر الطازج والزنجبيل	
٤٠ غرام	٦٠ - ٣٠	P/٢	جوز الهند الطازج	
٤٠٠ مل	٦٠ - ٣٠	٢	المشروبات والمشروبات ذات الرغوة	
٦٠٠ غرام	-	٢	الفواكه والخضروات	
لا تتجاوزي السعة القصوى المشار إليها على السلطانية	-	٢	تستخدم لتقطيع مجموعة متنوعة من الأطعمة مثل الجزر والكوسة والخيار والشمندر والتفاح إلى مكعبات.	
		الدليل	تستخدم لتقطيع مجموعة متنوعة من الأطعمة مثل البطاطس، والجزر، والكوسة، والخيار إلى البطاطس المقلية والكروديتيس.	

جدول توصيات الاستخدام

لا تستخدمى الجهاز لأزمنة أطول من تلك الموضحة أدناه دون السماح بفترات الراحة.
لا تتجاوزى السعات القصوى المذكورة في الرسم البياني أدناه. استمرارية معالجة المزيد من المكونات لفترة زمنية أطول قد يتسبب في تلف الجهاز.
معلومات المعالجة الموضحة هي إرشادية فقط، حيث تختلف الأزمنة والسرعات المستخدمة حسب الوصفة والمكونات المستخدمة.
لا تستخدمى مكونات ساخنة أثناء التحضير

الحد الأقصى	⌚ (ثانية)		الوظيفة	الأداة/الملحق
الوزن الإجمالي ١,٥ كغم	٢٠ - ١٠	٢	خلطات الكعكات الجاهزة	
وزن الدقيق ٣٤٠ غرام	١٠ ٢٠ - ١٠	٢ ٢ - ١	المعجنات - خلط السمن مع الدقيق إضافة الماء لدمج مكونات المعجنات	
٦٠٠ غرام لحم بقري طري	٣٠ - ١٠	٢	فرم الأسماك واللحوم العجائن الهشة وأرغفة اللحم	
٥٠٠ - ١٠٠ غرام	١٠ - ٥	P	فرم الخضراوات	
٢٠٠ - ١٠٠ غرام	٦٠ - ٣٠	٢	فرم المكسرات	
٥٠ - ٣٠ غرام	٣٠ - ٢٠	٢	الأعشاب	
٥٠٠ غرام	٣٠ - ١٠	٢	هرس الفواكه اللينة والفواكه والخضروات المطهية	
٤ صفار بيض	٨٠ - ٦٠	٢	المايونيز	
٥٠٠ - ٢٥٠ مل	٣٠ - ١٥	٢	القشدة المخفوقة (تختلف أزمنة المعالجة وفقاً لدرجة الدهون في القشدة)	
وزن الدقيق ٣٤٠ غرام الوزن الإجمالي ٥٥٠ غرام	٦٠	٢	الخلطات المخمرة	
لا تتجاوزى السعة القصوى المشار إليها على السلطانية	-	٢	بشر وتقطيع المكونات الغذائية الصلبة - الجبن والجزر والبطاطس والأغذية التي لها نفس ذلك القوام.	
	-	١	تقطيع المكونات الغذائية اللينة إلى شرائح - الخيار والطماطم	
	-	٢	بشر جبن البارميزان كشط البطاطس	
-	-	١	استخدمى العصاراة لتحضير العصير من الموالح، مثل البرتقال والليمون والليمون الحمضي والجريب فروت.	

الصيانة ورعاية العملاء

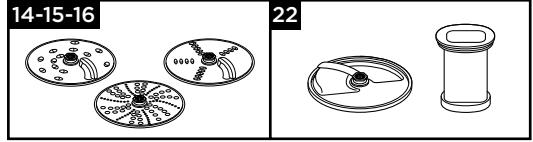
- إذا واجهت أي مشاكل في تشغيل جهازك، فقبل طلب المساعدة، راجع قسم "دليل استكشاف المشكلات وحلها" في هذا الدليل أو قم بزيارة الموقع الإلكتروني www.kenwoodworld.com.
- للحصول على معلومات الخدمة أو الضمان، يرجى الرجوع إلى نشرة تحذير السلامة المنفصلة أو زيارة www.kenwoodworld.com.
- تمت الأعمال الهندسية والتصميم من قبل شركة Kenwood في المملكة المتحدة.
صنع في الصين.

23 Express Serve (في حالة تزويده داخل صندوق البيع)

- a محور دوران ملحق Express serve
- b أنبوب التمديد
- c القاعدة
- d سطح الرفع

- ١ ركب محور الدوران والسلطانية على وحدة الطاقة (الموتور).
- ٢ ركب محور الدوران الصغير مع المحور الرئيسي - لن يعمل ملحق Express serve السريعة إذا لم يتم تركيبه.
- ٣ ركب الملحق/القرص المطلوب - لا تستخدم القوة المفرطة. ارجعي إلى أقسام الأقراص و Express Dice للحصول على مزيد من المعلومات والتلميحات والنصائح.
- ٤ ركب الغطاء العلوي.

لا تستخدم القوة المفرطة مع ما يلي:



مهم - القطاعة والأقراص

- إذا كان الطعام لا يخرج من مخرج الطعام، أوقف التشغيل وتحقق من عدم انحسار الطعام أسفل القرص ومن تركيب سطح الرفع. أزيل أي طعام محشور قبل مواصلة التحضير.

24 حقيبة التخزين

خزني الأقراص وأقراص الاستحلاب وأداة العجن في الحقيبة المرفقة.

لدواعي السلامة، يجب تخزين شفرة السكين في السلطانية الرئيسية بدلا من حقيبة التخزين عندما لا تكون قيد الاستخدام.

العناية والتنظيف

- أوقف دائما تشغيل الجهاز وافصله عن مصدر التيار الكهربائي قبل التنظيف.
- توخي الحذر أثناء التعامل مع الشفرات وأقراص التقطيع - هذه الأجزاء حادة جداً.
- قد تؤثر بعض الأغذية على لون البلاستيك. هذا امر طبيعي تماما ولا يضر بالبلاستيك او يؤثر على نكهة الطعام. امسحي البلاستيك بقماس مغموس في زيت نباتي لإزالة تغيير اللون.

وحدة الطاقة (الموتور)

- امسحيها بقطعة قماش مبللة، ثم جففيها. تأكدي من أن منطقة القفل ⑧ خالية من بقايا الطعام.
- لا تقومي بغمر وحدة الطاقة في الماء.
- قومي بلف السلك الزائد في مكان تخزين السلك أسفل وحدة الطاقة ⑨.

ارجعي إلى الرسم التوضيحي ذي الصلة

25

22 Express Dice (في حالة تزويده داخل صندوق البيع)

- a قرص التقطيع
- b شبكة التقطيع
- c عصا الدفع للتقطيع

مهم

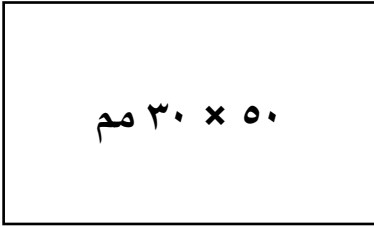
- تم تصميم قرص التقطيع للاستخدام مع ملحق التقطيع فقط.
- يجب عدم استخدام "عصا الدفع للتقطيع" إلا مع شبكة التقطيع. حيث سيؤدي استخدامها بدون تركيب شبكة التقطيع إلى تلف الجزء السفلي من عصا الدفع.

استخدام Express Dice

- ١ ركبى محور الدوران والسلطانية على وحدة الطاقة (الموتور).
- ٢ أضيفي قرص التقطيع وربكي الغطاء العلوي.
- ٣ ركبى شبكة التقطيع في أنبوب التغذية.
- ٤ قم بتشغيل عصا الدفع للتقطيع واستخدامها تحضير الطعام من خلال شبكة التقطيع.

تلميحات ونصائح

- للمساعدة في تجهيز مكان التحضير ضعى كلتا يديك أعلى عصا دفع الطعام واضغطي لأسفل بقوة.
- للحصول على أفضل النتائج ، استخدم الفواكه والخضروات الطازجة.
- لمنع انحسار الطعام، لا تكدسي الطعام في أنبوب التغذية - من الناحية المثالية، يجب عدم قطع الطعام إلى قطع أكبر من:



- إذا كان من الصعب جداً دفع الطعام خلال الشبكة لمدة ١٠-١٥ دقيقة، فاتركيه يبرد في الثلاجة قبل التحضير.
- احرصي دائماً على إزالة القشور الصلبة والنوى والبذور وما إلى ذلك من الطعام قبل التحضير.
- ملحوظة:
- بسبب الأحجام والأشكال المختلفة للأطعمة، فإن نتائج الأطعمة المقطعة تحتوي على بعض القطع المشوهة، وهذا أمر طبيعي.
- تسبب الأطعمة مثل الجبن ولحم الخنزير والشوريزو انسداد الشبكة لذا لا ينصح باستخدامها مع هذا الملحق.

22A

- يمكن أيضاً استخدام ملحق Express Dice في تحضير البطاطس المقلبة والكروديبتيس والباتون.
- ١ ركبى شبكة التقطيع بدون قرص التقطيع.
 - ٢ ثم ادفعي الطعام يدوياً عبر الشبكة بدون تشغيل الجهاز.

تنظيف الشبكة

استخدمي طرف عصا دفع الطعام لإخراج أي طعام قد يكون محشوراً في شبكة التقطيع.

تلميحات ونصائح

- لاحظي أنه عند تعبئة الزجاجاة إلى السعة القصوى (٤٠٠ مللي)، فإن الكمية تكون كافية للتقديم لشخصين
- إذا كنت لا تتوين استهلاك المشروب مباشرة فيجب الاحتفاظ به في الثلاجة.
- تأكدي أن قوام المشروب رقيق بالقدر الكافي حتى تتمكنين من شربه عن طريق الفتحة الصغيرة الموجودة في غطاء التوزيع العلوي.
- لتحضير مشروب بقوام خفيف أضيفي المزيد من السوائل.
- بعد الخلط لفترة من الوقت، قد تكون بعض المشروبات غير مصحوبة برغوة بشكل تام نتيجة وجود بذور أو تكون المكونات ذات طبيعة ليفية.
- قد تنفصل بعض المشروبات إذا تركت لفترة بعد الخلط، لذلك يكون من الأفضل تناولها مباشرة. يجب قلب المشروبات المنفصلة قبل تناولها.
- عند تركيب غطاء التوزيع العلوي حافظي على وضع الزجاجاة في وضع رأسي.

استخدام غطاء فتحة الشرب

- ١ ركبى الغطاء العلوي وثبته من خلال لفة في اتجاه عقارب الساعة.
- ٢ إذا أردت تناول المشروبات ذات الرغوة، ببساطة ارفعي الغطاء العلوي. يمكن شرب المشروب مباشرة من الزجاجاة.

21 مستخلص العصير (في حالة تزويده داخل

صندوق البيع)

- a عصا دفع الطعام
- b الغطاء العلوي للعصارة
- c مزيل اللب
- d اسطوانة المصفاة
- e السلطانية
- f صنوبر العصير

استخدام مستخلص العصير

- ١ ركبى سلطانية العصارة في وحدة الطاقة (الموتور) وفيها في اتجاه عقارب الساعة إلى أن تستقر في موضعها - يجب أن يكون الصنوبر على الجانب الأيسر عند تركيب السلطانية بشكل صحيح.
- ٢ ضعى مزيل اللب في أسطوانة المصفاة - مع ضمان وضع الإلسنة مع الفتحات الموجودة في أسفل الاسطوانة.
- ٣ ركبى اسطوانة المصفاة
- ٤ ركبى الغطاء العلوي للملحق - ولفيه في اتجاه عقارب الساعة إلى أن يستقر في موضعه. لن تعمل العصارة إذا لم تكن السلطانية أو الغطاء العلوي مركبين بشكل صحيح في القفل.
- ٥ ضعى زجاجاة أو وعاء مناسب تحت مخرج العصير.
- ٦ اقطعي الطعام ليناسب أنبوب التغذية.
- ٧ قومي بالتشغيل وادفعي لأسفل بشكل متساو باستخدام عصا دفع الطعام - يحظر وضع أصابعك في أنبوب التغذية. حضري المزيج تماماً قبل إضافة المزيد.
- بعد إضافة القطعة الأخيرة، اتركي العصارة تعمل لمدة ٣٠ ثانية أخرى لاستخراج كل العصير من أسطوانة المصفاة.

مهم

- إذا بدأت العصارة في الاهتزاز، أوقفى تشغيلها وأفرغي اللب من الاسطوانة. تهتز العصارة إذا أصبح توزيع اللب غير متساو.
- قد تؤدي بعض الأطعمة شديدة الصلابة إلى بطء العصارة أو توقفها. إذا حدث هذا أوقفى تشغيل العصارة وفكي المصفاة.
- أوقفى التشغيل ونظفي جامع اللب بشكل دوري أثناء الاستخدام.

تلميحات ونصائح

- قبل التحضير، أزيلي النوى والبذر (مثل الفلفل والبطيخ والبرقوق) والقشور القاسية (مثل الطيخ والأناس). لا تحتاجين إلى تقشير أو إزالة لب التفاح و الكمثرى.
- استخدمى الفواكه والخضروات الطازجة والمتماسكة.

17 عصارة الموالح (في حالة التزويد داخل صندوق البيع)

- a مخروط العصر
b المصفاة

استخدام عصارة الموالح

- ١ ركبى محور الدوران والسلطانية في وحدة الطاقة (الموتور).
 - ٢ ركبى المصفاة في السلطانية - تأكدي من استقرار مقبض المصفاة في موضعه مباشرة على مقبض السلطانية.
 - ٣ ركبى مخروط العصر على محور الدوران وأديره حتى يستقر تماماً في القاع.
 - ٤ قطعي ثمار الفواكه إلى نصفين. ثم شغلي الجهاز واضغطي الفاكهة على مخروط العصر.
- لن تعمل العصارة في حالة تركيب المصفاة بشكل غير صحيح.

19 مطحنة الفرم (في حالة التزويد داخل صندوق البيع)

- a الغطاء العلوي للمطحنة
b مجموعة شفرات مطحنة الفرم

- ١ ضعي المكونات على مجموعة الشفرات.
- ٢ ركبى الغطاء العلوي وفيه ليستقر في موضع التعشيق.
- ٣ ضعي المطحنة على وحدة الطاقة (الموتور) ثم لفها في اتجاه عقارب الساعة حتى تستقر في موضع التعشيق.
- ٤ حددي السرعة المطلوبة أو استخدمى وضع التشغيل النبضي (P).

تلميحات ونصائح

- للحصول على الأداء الأمثل عند تحضير التوابل ننصحك بعدم تحضير أكثر من ٥٠ غرام من المكونات في المرة الواحدة داخل المطحنة.
- تحتفظ قرون التوابل الكاملة بنكهتها فترة زمنية أطول من التوابل المطحونة لذلك فمن الأفضل طحن كمية صغيرة من قرون التوابل الكاملة لاستخدامها وذلك للاحتفاظ بالنكهة.
- للحصول على أقصى نكهة وزيت أساسية من قرون التوابل الكاملة من الأفضل تجميد التوابل قبل طحنها.
- لا تحضري جذور الكركم الجافة بواسطة المطحنة حيث أنها صلبة جداً وقد تتلف الشفرات.
- قطعي الزنجبيل إلى قطع صغيرة قبل معالجته.
- للحصول على أفضل النتائج ننصحك باستخدام السلطانية الأساسية عند فرم الأعشاب.

تلميحات ونصائح

- للحصول على أفضل النتائج، خزني الفاكهة واعصرها في درجة حرارة الغرفة، أيضاً ليني الفاكهة قبل عصرها عن طريق دحرجتها على سطح منضدة العمل مع الضغط عليها براحة كفك.
- للمساعدة في استخلاص العصير، حركي الفاكهة من جانب لآخر أثناء العصر.
- عند عصر كمية كبيرة من الفاكهة، أفرغي المصفاة بانتظام لتجنب تراكم لب وبيذور الفاكهة.

18 المفرمة / المطحنة الصغيرة (في حالة التزويد داخل صندوق البيع)

- a الوعاء

- b حلقة الإحكام

- c وحدة الشفرات

- ١ ضعي المكونات في وعاء الطحن.
- ٢ ركبى حلقة الإحكام في وحدة الشفرات
- ٣ اقلبي وحدة الشفرات. ضعيها داخل الوعاء بحيث يكون اتجاه الشفرات لأسفل.
- ٤ اربطي وحدة الشفرات في الوعاء بإحكام باستخدام أصابعك. راجعي الرسوم التوضيحية الموجودة على الجانب السفلي لمجموعة وحدة الشفرات وهي كالتالي:

🔒 = موضع الفتح

🔒 = موضع القفل

- ٥ ضعي المطحنة في وحدة الطاقة (الموتور) ولفها في اتجاه عقارب الساعة إلى أن تستقر في موضعها.
- ٦ حددي السرعة القصوى أو استخدمى وظيفة التشغيل النبضي (P).

تلميحات ونصائح

- غذاء الرضع/المهروسات - اتركي الأطعمة المطهية لتبرد في درجة حرارة الغرفة قبل معالجتها في المطحنة.
- للحصول على أفضل النتائج ننصحك باستخدام السلطانية الأساسية عند فرم الأعشاب.

20 المازج Blend-Xtract 2GO (في حالة تزيده داخل صندوق البيع)

- a غطاء التوزيع العلوي

- b زجاجة المازج

- c حلقة الإحكام

- d وحدة الشفرات

- ١ أضيفي المكونات إلى الزجاجة حتى علامة المستوى ٤٠٠ مللي.
- للحصول على أفضل أداء للمزج، أضيفي دائماً الثلج/المكونات المجمدة إلى زجاجة المازج أولاً.
- عند إضافة المكونات المجمدة (مثل الفواكه المجمدة أو الزبادي أو الأيس كريم أو الثلج)، فلا تقومي بمزج أكثر من ٦٠ غرام أو ٣ مكعبات ثلج.
- لا تمزجي مكونات مجمدة دون إضافة سائل.
- ٢ ركبى حلقة الإحكام على وحدة الشفرات مع التأكد من استقرار حلقة الإحكام في موضعها بشكل صحيح داخل التجويف.
- إذا كانت حلقة الإحكام تالفة أو غير محكمة بشكل صحيح فسوف يحدث تسريباً.
- ٣ امسكي بالجانب السفلي لوحدة الشفرات واخضبيها داخل الزجاجة، بحيث تكون الشفرات موجهة لأسفل.
- ٤ اربطي حامل الشفرات في الزجاجة، عن طريق اللف في اتجاه عقارب الساعة حتى موضع القفل.
- رجي الإبريق لتوزيع المكونات.
- ركبى المازج على وحدة الطاقة ثم أديره في اتجاه عقارب الساعة حتى يتم إحكام الغلق.
- ٥ حددي السرعة القصوى. اتركي المكونات قيد الخلط إلى أن تتكون الرغوة.
- بمجرد وصول المشروب إلى القوام المطلوب، يمكنك استخدام وظيفة التشغيل النبضي (P) للتأكد من مزج جميع المكونات تماماً.

استخدام الملحقات

ارجعي إلى مخطط الاستخدام والرسوم التوضيحية والقسم المتعلق بكل ملحق.

10 المازج البلاستيكي (في حالة التزويد داخل صندوق البيع)

- ١ للتجميع والاستخدام - ارجعي إلى الرسوم التوضيحية ومخطط الاستخدام الموصى به للمازج.
 - ٢ ضعي جميع المكونات في الدورق.
 - ٣ ركبى الغطاء العلوي على الدورق وقومي بلفه في اتجاه عقارب الساعة إلى أن يستقر في موضعه.
 - ٤ ركبى المازج في وحدة الطاقة (الموتور) ولفيه في اتجاه عقارب الساعة إلى أن يستقر في موضعه.
- لن يعمل الجهاز في حالة تركيب المازج بشكل غير صحيح مع تعشيق القفل.

تلميحات ونصائح

- عند تحضير المايونيز، ضعي كل المكونات، باستثناء الزيت، في المازج. أثناء تشغيل الجهاز، اسكبي الزيت ببطء من خلال فتحة إضافة المكونات بالتنقيط في الغطاء العلوي.
- قد تحتاج الخلطات السميكة مثل المعجنات الهشة والمغموسات إلى تقطيع. إذا وجدت صعوبة في تحضيرها، أضيفي المزيد من السوائل.
- غير منصوح بطحن التوابل فقد تؤدي إلى إحداث أضرار بالأجزاء البلاستيكية

11 سكين التقطيع

اتبعي التعليمات الواردة في قسم "استخدام جهاز تحضير الطعام".

تلميحات ونصائح

- للحصول على قوام خشن، استخدمي وضع التشغيل النبضي.
- قطعي الطعام مثل اللحم، الخبز، الخضراوات إلى مكعبات بطول ٢ سم.
- يجب تكسير البسكويت إلى قطع صغيرة وإضافته عن طريق غطاء أنبوب التغذية أثناء تشغيل الجهاز.
- توخي الحذر حتى لا تتجاوزي الفترة المطلوبة لتحضير الطعام.
- عند تحضير المعجنات استخدمي الدهون مباشرة من المجمد مع تقطيعها في صورة مكعبات بحجم تقريبي ٢ سم.
- للحصول على أفضل النتائج عند تحضير الفاكهة/المكونات اللزجة مثل البلح، استخدمي "التشغيل النبضي" أولاً لتكسير المكونات ثم تابعي التحضير بأقصى سرعة.

12 أداة العجين

تستخدم مع خلطات العجين المخمرة.
اتبعي التعليمات الواردة في قسم "استخدام جهاز تحضير الطعام".

تلميحات ونصائح

- لا تعالجي الفواكه لفترة أطول من ٦٠ ثانية.
- ضعي المكونات الصلبة في السلطانية وأضيفي السائل عن طريق غطاء فتحة التعبئة أثناء تشغيل الجهاز. استمري في التشغيل حتى تكون كرات لدنة من العجين.
- أعيدي العجن بيدك فقط. غير منصوح بإعادة العجن في السلطانية حيث قد يؤدي ذلك إلى عدم استقرار جهاز تحضير الطعام.

13 قرص الاستحلاب

(يستخدم مع أداة العجن 12)

- ١ ضعي قرص الاستحلاب فوق أداة العجن - قومي بمحاذاة الريش الموجودة على أداة العجن مع الفتحات الموجودة في القرص.
- ٢ لفي أداة العجن عكس اتجاه عقارب الساعة لتثبيتها في موضعها.
- ٣ لفصل الأجزاء لفي باتجاه عقارب الساعة وارفعي القرص خارج محور أداة العجن.

تلميحات ونصائح

- تأكد من نظافة السلطانية والأداة وخلوهما من الشحوم قبل الاستخدام.
- المايونيز - ضعي البيض والتوابل في السلطانية وامزجيهما بلضع ثوان. أثناء تشغيل الجهاز تدريجياً أضيفي الزيت في أنبوب التغذية بتدفق ثابت.

الأقراص 14 - 15 - 16

- ١ كبي محور الدوران والسلطانية في وحدة الطاقة (الموتور).
 - ٢ امسكي قرص التقطيع من المقبض المركزي ثم ضعي القرص على محور الدوران مع توجيه السطح الملائم لأعلى.
 - ٣ ركبى الغطاء العلوي.
 - ٤ ضعي الطعام في أنبوب التغذية. اختاري حجم أنبوب التغذية الذي تريدين استخدامه.
- لاستخدام أنبوب التغذية الصغير - ضعي أولاً عصا دفع الطعام الكبيرة داخل أنبوب التغذية. يستخدم للمكونات الرقيقة المفردة.
- لا تستخدمي عصا الدفع الصغيرة بدون تركيب عصا الدفع الأكبر، وإلا فإن الجزء السفلي من عصا الدفع قد يتلف.
- لاستخدام أنبوب التغذية الكبير - استخدمي كلا نوعي عصا دفع الطعام معاً.
- شغلي الجهاز مع دفع الطعام بالتساوي بواسطة عصا دفع المكونات
- ① - احذري وضع أصابعك داخل فتحة أنبوب التغذية .

تلميحات ونصائح

- استخدمي مكونات طازجة.
- لا تقطعي الطعام إلى قطع صغيرة جداً. اجعلي عرض (مقطع) أنبوب التغذية ممتلئاً بشكل متساو. يحول ذلك دون انزلاق الطعام على الجوانب أثناء تحضير الطعام.
- الطعام الموضوع بشكل رأسي يخرج قصيراً عن الطعام الموضوع بشكل أفقي.
- تبقى هناك دائماً كمية صغيرة من الفضلات على سطح التقطيع أو في السلطانية بعد تحضير الطعام.

استخدام جهاز تحضير الطعام

الرسم التوضيحي ① - ③

- ١ ركبي محور الدوران في وحدة الطاقة (الموتور).
- ٢ ثم ضعي السلطانية في وحدة الطاقة (الموتور) وقومي بتدويرها في اتجاه عقارب الساعة إلى أن تستقر في موضعها.
- ٣ ركبي الملحق على محور الدوران الموجود في السلطانية.
- ركبي دائماً السلطانية والملحق في جهاز تحضير الطعام قبل إضافة المكونات.
- ٤ ركبي الغطاء العلوي - مع التأكد من استقرار الجزء العلوي من محور الدوران/الأداة في مركز الغطاء العلوي.

• لا تستخدم الغطاء العلوي لتشغيل جهاز تحضير الطعام، استخدم دائماً مفتاح تحكم السرعات On/Off.

- ٥ وصلي الجهاز مع مصدر التيار الكهربائي ثم شغلي الجهاز وحددي السرعة المطلوبة. (راجع جدول توصيات الاستخدام).
- لن يعمل جهاز تحضير الطعام في حالة تركيب السلطانية أو الغطاء العلوي بطريقة غير صحيحة في موضع تعشيق القفل. تأكدي من توجيه أنبوب التغذية ومقبض السلطانية إلى الجانب الأيمن للجهاز.

- استخدم مفتاح وضع التشغيل النبضي (P) للتشغيل لفترات قصيرة. يعمل وضع التشغيل النبضي طوال فترة الضغط على مفتاح التحكم.

- ٦ اتبعي الخطوات السابقة بترتيب معكوس لإزالة الغطاء العلوي، الملحقات والسلطانية.

• أوقفي دائماً تشغيل الجهاز قبل إزالة الغطاء العلوي.

ملاحظة هامة

- جهاز تحضير الطعام غير ملائم لطحن حبوب القهوة أو تحويل حبيبات السكر إلى سكر بودرة.
- عند إضافة روح أو نكهة اللوز للخلطات، تجنبي ملامسته مع البلاستيك حيث قد يؤدي ذلك إلى ترك علامات مستديمة على البلاستيك.

مفتاح الرموز

محضرة الطعام - Express Prep

- ① عصا دفع الطعام
- ② انبوب التغذية
- ③ الغطاء العلوي
- ④ السلطانية
- ⑤ محور دوران
- ⑥ وحدة الطاقة (الموتور)
- ⑦ مفتاح التحكم في السرعة/التشغيل النبضي
- ⑧ أقفال الأمان
- ⑨ مخزن السلك (في الخلف)

⑩ المازج البلاستيكي (في حالة التزويد داخل صندوق البيع)

- a ورق مع شفرة ثابتة.
- b الغطاء العلوي المزود بفتحة إضافة المكونات بالتنقيط

A - ملحقات قياسية

- ① شفرة السكين
- ② أداة العجن
- ③ الغطاء العلوي المزود بفتحة إضافة المكونات بالتنقيط
- ④ قرص التقطيع الرفيع/التقطيع الطولي (البشر) ٤ مم

ليس بالضرورة تزويد كل الملحقات المدرجة أدناه داخل عبوة بيع جهاز تحضير الطعام. تختلف الملحقات تبعاً لاختلاف موديلات الجهاز. يرجى زيارة www.kenwoodworld.com للحصول على معلومات حول كيفية شراء ملحق غير مزود في صندوق بيع الجهاز.

B - ملحقات اختيارية

- ⑮ قرص التقطيع الرفيع/التقطيع الطولي (البشر) ٢ مم
- ⑯ قرص البشر الناعم جداً (في حالة التزويد داخل صندوق البيع)
- ⑰ عصارة موالح (في حالة التزويد داخل صندوق البيع)
- ⑱ مطحنة الفرغ (في حالة التزويد داخل صندوق البيع)
- ⑲ المفرمة / المطحنة الصغير (في حالة التزويد داخل صندوق البيع)
- ⑳ Blend-Extract 2GO (في حالة التزويد داخل صندوق البيع)
- ㉑ مستخلص العصير (في حالة التزويد داخل صندوق البيع)
- ㉒ القطاعة (في حالة التزويد داخل صندوق البيع)
- ㉓ ملحق Express Serve (في حالة التزويد داخل صندوق البيع)
- ㉔ حقيبة التخزين (في حالة التزويد داخل صندوق البيع)
- ㉕ الملعقة البلاستيكية (في حالة التزويد داخل صندوق البيع)

- يحظر استخدام القوة المفرطة لدفع الطعام إلى أسفل أنبوب التغذية - فقد يؤدي ذلك إلى تلف الملحق.
- قبل إزالة الغطاء العلوي، أوقف تشغيل الجهاز وانتظري إلى أن يتوقف القرص تماماً.
- لا تصبي السوائل الساخنة إلى أسفل خلال أنبوب التغذية.

ملحق Express Serve

- تجنب ملامسة الأجزاء المتحركة. ضعي أصابعك خارج فتحة مخرج الطعام.
- لا تشغلي الجهاز عند استخدام القطاعة أو الأقراص بدون تركيب سطح الرفع. إذا لم يتم تركيب سطح الرفع فسوف تتجمع الأطعمة تحت قرص التقطيع ولا تخرج من مخرج الطعام، مما يؤدي إلى تلف الملحق.
- عصاره الموالح غير مصممة للاستخدام مع Express Serve. استخدم عصاره الموالح دائماً مع السلطانية الرئيسية.

التنظيف

- امسحي وحدة الطاقة (الموتور) ورأس دوران الخفاقة بقطعة قماش مبللة، ثم جففيهما. تأكدي من خلو منطقة الغلق من بقايا الطعام.
- لا تغمسي وحدة الطاقة (الموتور) أو مجموعة الشفرات أو قاعدة المازج في الماء.
- السلطانية والغطاء العلوي وعصا دفع الطعام وجميع الملحقات/الأدوات ما عدا مجموعة الشفرات والمازج مناسبة للغسيل اليدوي أو في غسالة الأطباق.
- يجب تنظيف مجموعة الشفرات وشطفها تحت الماء الجاري.
- المازج - املئي بالماء الدافئ، وركبي الغطاء العلوي، ثم شغلي الجهاز لمدة ٢٠-٣٠ ثانية. أفرغيه، ثم اشطفيه. إذا كان ما يزال متسخاً، استخدم فرشاة. امسحيه، ثم اتركيه حتى يجف في الهواء.

قبل توصيل الجهاز بمصدر التيار الكهربائي

- تأكدي من تماثل مواصفات مصدر التيار الكهربائي لديك مع المواصفات الموضحة على الجانب السفلي للجهاز.

هام - المقبس والمنصهر الكهربائي

- اللون الأسلاك الموجودة في السلك الكهربائي هي كالتالي:

أزرق = متعادل

بني = كهرباء حية

- إذا كان القابس المزود في جهازك به مصهر مُركب وتعطل هذا المصهر، فيجب استبداله بمصهر مماثل له بنفس تقدير الأمبيرية.

- في حالة الحاجة إلى استبدال المقبس أو السلك الكهربائي، فيجب استبدالهما وتركيبهما من قبل مركز صيانة متخصص معتمد لدى

Kenwood.

ملاحظة:

- بالنسبة إلى المقابس غير القابلة لإعادة تركيب الأسلاك الجديدة بها، يجب إعادة تثبيت غطاء المنصهر الكهربائي عند استبداله. في حالة فقد غطاء المنصهر الكهربائي، يجب عدم استخدام المقبس إلا أن يتم الحصول على بديل. يتم تحديد غطاء المنصهر الكهربائي الصحيح حسب اللون ويمكن الحصول على بديل من مركز صيانة متخصص معتمد لدى Kenwood (يرجى مراجعة قسم الخدمة).
- إذا تم قطع مقبس غير قابل لإعادة تركيب الأسلاك الجديدة به، فيجب تدميره على الفور. إذا تم إدخال قابس غير قابل لإعادة التمديد عن غير قصد في مخرج المقبس، فقد ينشأ خطر حدوث صدمة كهربائية.

- يتوافق هذا الجهاز مع تنظييمات الاتحاد الأوروبي 2004/1935 المتعلقة بالمواد والأجسام المتلامسة مع الأطعمة.

قبل الاستعمال للمرة الأولى

- ١ أزيل أغطية النصل البلاستيكية عن سكين التقطيع. توخي الحذر فسكين التقطيع حاد جداً. يجب التخلص من هذه الأغذية حيث أنها مزودة لحماية سكين التقطيع أثناء التصنيع والنقل.

- ٢ اغسلي الأجزاء "راجع قسم الرعاية والتنظيف".

المزج Blend-Extract 2GO

- لا تستخدمى الزجاجة إلا مع مجموعة الشفرات المرفقة.
- يحذر شرب أي سوائل ساخنة من الزجاجة.
- عند تناول الشراب عبر الغطاء العلوي، توخي الحذر حيث يكون الشراب مصحوباً برغوة. قد تكون بعض التجارب ضرورية للوصول إلى النتيجة المرجوة لا سيما عند تجهيز أطعمة صلبة أو غير كاملة النضج حيث قد تجددين بعض من المكونات لا تزال غير مجهزة.
- لا تمزجي المكونات المجمدة أو مكعبات الثلج بدون إضافة سائل.
- يحذر مزج المكونات الجافة (على سبيل المثال، التوابل والمكسرات) كما يحذر تشغيل مزج المشروبات فارغاً.

ملحقات المطحنة

- يحذر تركيب وحدة الشفرات على وحدة الطاقة (الموتور) بدون تركيب وعاء الطحن/الغطاء العلوي.
- يحذر فك وعاء الطحن/الغطاء العلوي عن المطحنة أثناء تركيبها في الجهاز.
- لا تلمسي الشفرات الحادة - ابعدي وحدة الشفرات عن متناول الأطفال.
- يحذر إزالة المطحنة قبل توقف الشفرات عن الدوران تماماً.
- لن يعمل الجهاز في حالة تركيب المطحنة بشكل غير صحيح.
- لا تستخدمى مكونات ساخنة لمعالجتها في المطحنة، اتركها لتبرد في درجة حرارة الغرفة قبل معالجتها.

المفرمة / المطحنة الصغيرة

- لا ينصح بمعالجة التوابل، فقد تتسبب في تلف الأجزاء البلاستيكية.

مطحنة الفرم

- لا تحضري جذور الكركم الجافة بواسطة المطحنة حيث أنها صلبة جداً وقد تتلف الشفرات.

مستخلص العصير


- لا تستخدمى العصارة إذا كانت المصفاة أو الغطاء العلوي للعصارة أو السلطانية تالفة أو بها شقوق واضحة.
- شفرات القطع على قاعدة اسطوانة المصفاة حادة جداً، توخي الحذر عند التعامل مع الاسطوانة وتنظيفها.
- استخدمى عصا دفع الطعام المرفقة فقط. يحظر وضع أصابعك في أنبوب التغذية.
- افصلي الجهاز قبل فك أنبوب التغذية.
- قبل إزالة الغطاء العلوي، أوقفى تشغيل الجهاز وانتظري إلى أن تتوقف المصفاة.

ملحق Express Dice/Express Serve والأقراص

- شبكة التقطيع والأقراص حادة للغاية؛ تعاملى معها بحذر عند التركيب والإزالة والتنظيف. امسكى الجهاز دائماً من خلال المقبض بعيداً عن حافة التقطيع عند التعامل مع شفرات التقطيع الحادة، وعند تفريغ الوعاء وأثناء التنظيف.
- يحظر استخدام أصابعك لدفع الطعام إلى أسفل أنبوب التغذية. استخدمى عصا دفع المكونات المرفقة فقط.

- تحذير: قبل إزالة الغطاء العلوي عن السلطانية أو المازج أو المطحنة الاستخدامات عن وحدة الطاقة (الموتور):
 - أوقف تشغيل الجهاز؛
 - انتظري حتى توقف الملحقات/الشفرات تماماً عن الحركة؛
 - يحظر فك الغطاء العلوي لزجاجة المازج أو وعاء الطحن من مجموعة الشفرات.
- لا تستخدم الغطاء العلوي لتشغيل جهاز تحضير الطعام، استخدم دائماً زر تحكم السرعة On/Off (تشغيل/إيقاف).
- سيتلف الجهاز وقد تحدث إصابات في حالة تعرض آلية التعشيق لقوة مفرطة.
- يحذر استخدام أي ملحقات غير معتمدة.
- يحذر استخدام الجهاز في حالة تلفه. في مثل هذه الحالة، يجب فحص الجهاز أو إصلاحه: راجعي قسم «الصيانة ورعاية العملاء».
- يحذر تعرض وحدة الطاقة أو السلك الكهربائي أو قابس التوصيل للماء.
- لا تسمحي بتدلي السلك الكهربائي الزائد عن طاولة العمل ولا تسمحي له أيضاً بالتلامس مع أسطح ساخنة.
- يجب الإشراف على الأطفال للتأكد من عدم عبثهم بالجهاز.
- لا يجوز استخدام هذا الجهاز من قبل الأطفال. احتفظي بالجهاز والسلك الكهربائي بعيداً عن متناول الأطفال.
- يمكن استخدام الأجهزة من قبل أشخاص ذوي قدرات جسدية أو حسية أو عقلية منخفضة وممن هم دون خبرة أو معرفة باستخدام الأجهزة في حالة منحهم التعليمات الخاصة بالاستخدام أو الإشراف عليهم بحيث يمكنهم استخدامه بطريقة آمنة مع إدراك المخاطر التي تنطوي على استخدام الجهاز.
- استخدم الجهاز فقط في الاستخدامات المنزلية المخصص لها. لن تتحمل شركة Kenwood أية مسؤولية في حالة استخدام الجهاز بطريقة غير صحيحة أو عدم الامتثال للتعليمات المذكورة.
- قد يؤدي سوء استخدام جهاز تحضير الطعام أو المازج أو المطحنة إلى حدوث إصابات.
- تعتمد السعة القصوى على ملحق القطاعة/المطحنة الصغيرة المستخدم الذي يستمد حملاً أكبر. بعض الملحقات الأخرى قد تستمد حملاً أقل.

المازج/Blend-Xtract 2GO

- لا تستخدم مكونات ساخنة أثناء التحضير. 
- مخاطر التعرض لحروق: يجب ترك المكونات الساخنة حتى تبرد وتصبح في درجة حرارة الغرفة قبل إضافتها إلى دورق/زجاجة المازج قبل المزج.
- توخي الحذر دائماً عند التعامل مع وحدة الشفرات وتجنب لمس حافة القطع الخاصة بالشفرة أثناء التنظيف.
- يجب تشغيل المازج فقط مع تركيب الغطاء العلوي في موضعه.
- يحذر تشغيل المازج فارغاً.
- بالنسبة لوصفات المشروبات ذات الرغوة - يحظر مزج المكونات المجمدة التي تحولت إلى كتل صلبة أثناء التجميد، ولكن هشمها إلى أجزاء قبل إضافتها إلى الدورق/الزجاجة.

لسلامتك

- اقرئي التعليمات التالية واحتفظي بها في المتناول للاستخدامات المستقبلية المرجعية.
- أزيلتي مكونات التغليف وأية ملصقات.
- لأسباب متعلقة بالسلامة ولتجنب حدوث أية مخاطر، في حالة تلف السلك الكهربائي أو القابس، يجب استبداله بواسطة Kenwood أو مركز خدمة معتمد من قبل Kenwood.
- لا تلمسي الشفرات الحادة. لشفرات وأسطح القطع حادة، يجب التعامل معها بمنتهى الحذر. امسكي الجهاز من خلال المقبض الموجود في الأعلى، بعيداً عن حافة التقطيع، عند التعامل مع شفرات التقطيع الحادة، وعند تفريغ الوعاء وأثناء التنظيف.
- لا تستخدمي مكونات ساخنة أثناء التحضير.
- توخي الحذر في حالة سكب السائل الساخن في جهاز تحضير الطعام أو المازج فقد يتم إخراجك من الجهاز بسبب التبخير المفاجئ.
- لا تتركي الجهاز دون ملاحظة أثناء تشغيله.
- لا تتجاوزي السعات القصوى الموصى بها والمحددة في جدول الاستخدام.
- لا تستخدمي الجهاز لأزمنة أطول من تلك الموضحة أدناه دون السماح بفترات الراحة. استمرارية معالجة المزيد من المكونات لفترة زمنية أطول قد يتسبب في تلف الجهاز.

الوظيفة/الملحق	الحد الأقصى لزمان التشغيل	فترات الراحة بين مرات التشغيل
المازج Blender/Blend Xtract 2GO-	٦٠ ثانية	افصلي الجهاز عن مصدر التيار الكهربائي واتريه ليبرد لمدة ١٥ دقيقة
خلطات ثقيلة في السلطانية (على سبيل المثال، العجين)	٦٠ ثانية	
المفرمة / المطحنة الصغيرة	٣٠ ثانية	
مطحنة الفرغ	٦٠ ثانية	

- لا تقومي برفع أو حمل جهاز تحضير الطعام من المقبض - حيث قد ينكسر المقبض مما ينتج عنه حدوث إصابات.
- أزيلتي سكين التقطيع دائماً قبل صب المحتويات من السلطانية.
- أبقِي على يديك وأدوات المطبخ خارج السلطانية ودورق المازج أثناء التوصيل مع مصدر التيار الكهربائي. إذا كان من اللازم دفع الطعام إلى أسفل استخدمي أداة مناسبة مثل الملعقة البلاستيكية.
- قومي دائماً بإيقاف تشغيل الجهاز وفصله من مصدر التيار الكهربائي إذا ترك دون مراقبة، وقبل التجميع أو التفكيك أو التنظيف.
- لا تستخدمي أصابعك لدفع الطعام خلال أنبوب التغذية. استخدمي دائماً عصا دفع المكونات المزودة.
- يحظر تركيب مجموعة الشفرات مع وحدة الطاقة (الموتور) بدون تركيب الغطاء العلوي لزجاجة المازج أو وعاء الطحن.

Kenwood Ltd

New Lane
Havant
Hampshire
PO9 2NH

kenwoodworld.com

© Copyright 2021 Kenwood Limited. All rights reserved



143029/4