



INCLUDES
ADJUSTABLE
VC SHELF

BT8416

TWIN SCREEN VC WALL MOUNT

FOR SCREENS UP TO 65"



BT8416 is a premium wall mounting solution designed to mount two screens side by side for video conferencing applications. The mount features an adjustable VC shelf that gives the user the flexibility of mounting a VC camera above or below the screens. Additional features include adjustable levelling screws for easy height adjustment of the screen once mounted, cable management clips and safety screws that help to prevent un-authorised removal of the screen.

SPECIFICATION

Recommended screen size	50" - 65"
Max load	70kg per screen
VESA® and non-VESA fixings	up to 600 x 400mm
Dimensions W:2004mm H: Min:445mm Max:842mm D:290mm	
Dimensions (VC Shelf)	W:120mm H:3mm D:235mm
Colour (Mounting Rail)	Silver or Black

FEATURES

- Universal design suitable for mounting two screens side by side
- High-end aesthetic quality
- Includes VC shelf which can be fixed above or below the screen
- VC shelf fits most cameras with 1/4" thread with 100 x 100mm fixing points
- Interface arms include levelling screws to adjust the screen height
- Supplied with 600mm adaptor arms
- Cable management clips are included to hide cables
- Safety screws help prevent unauthorised screen removal
- Simple 'hook-on' screen installation with all mounting hardware included



65"
165CM

VESA
600
x
400

70KG

↔

◐◑

PER SCREEN



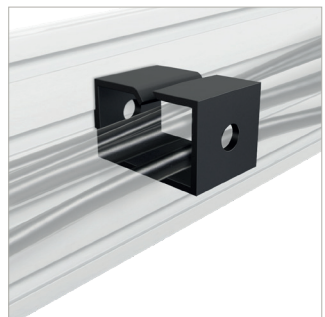
Includes VC camera shelf that can be fitted above or below the screens.



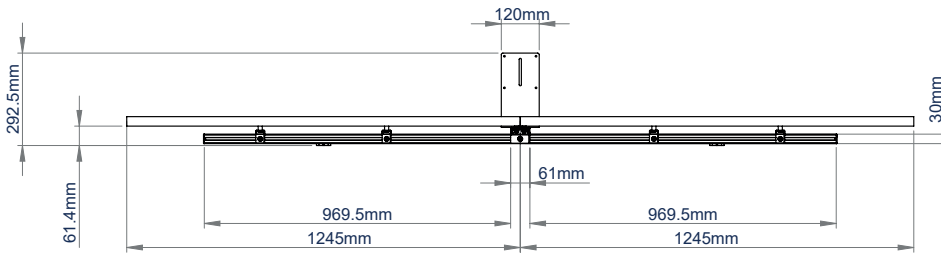
Interface arms include levelling screws to adjust the height of the screen.



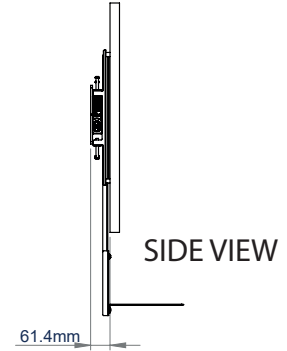
Safety screws help prevent unauthorised removal of screens.



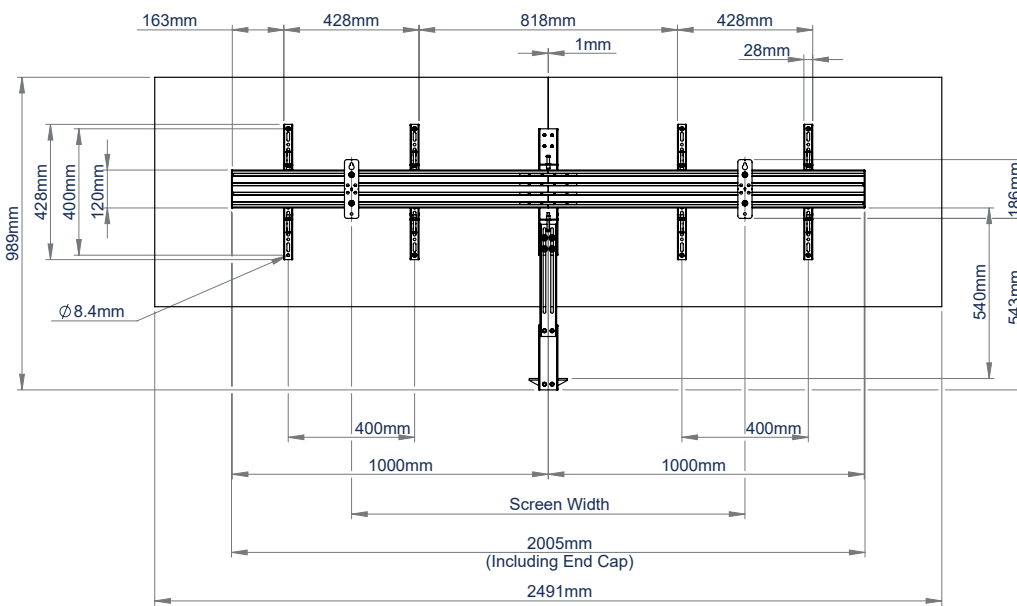
Cable management clips are included to hide cables.



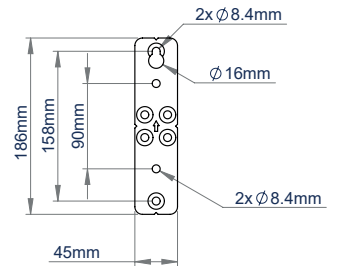
TOP VIEW



SIDE VIEW



FRONT VIEW

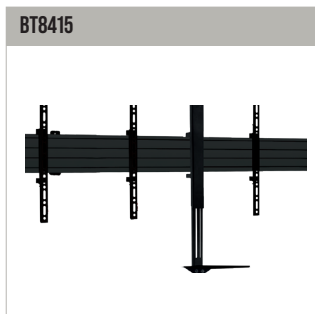


BT8390-WFK1

ORDER REFERENCE

COLOUR:	ORDER REF:	EAN CODE:
Silver	BT8416/S	5019318305597
Black	BT8416/B	5019318305603

RELATED PRODUCTS



BT8415
Twin Screen VC Wall Mount
For screens up to 49"



BT8516
Twin Screen VC Trolley/Stand
For screens up to 65"



BT8390-SA
Adjustable Accessory Mounting Arm
Ideal for VC cameras when used in conjunction with **BT7863**



BT7863
Small Accessory Shelf
Can be mounted directly to walls or to B-Tech accessories such as **BT8390-SA**

© 2022 B-Tech International Design & Manufacturing Ltd. All rights reserved. B-Tech, B-Tech logo and the B-Tech logo are registered trademarks of B-Tech International Design & Manufacturing Ltd. Wherever they appear, they are the property of B-Tech International Design & Manufacturing Ltd. All other brands and products are trademarks of their respective owners. All B-Tech images and symbols are the property of B-Tech International Design & Manufacturing Ltd. All other images and symbols are the property of their respective owners. Reproduction in any form or by any means without the prior written permission of B-Tech International Design & Manufacturing Ltd. is prohibited. B-Tech International Design & Manufacturing Ltd. E&OE.

SS-V2-BT8416-290922-EN