



# BT8449

## UNIVERSAL XL FLAT SCREEN CEILING MOUNT WITH TILT

FOUR  
 CEILING DROP  
 LENGTHS  
 AVAILABLE

Designed to ceiling mount screens up to 100", the BT8449 is an extra-large ceiling mount with tilt, available with a choice of four different drop lengths; 1m, 1.5m, 2m and 3m. The twin pole design and heavy duty steel provides strength and rigidity, allowing for a maximum load of up to 80kg. Other features include a choice of 4 tilt positions from 0° up to 15°, post installation screen alignment and height adjustment screws to level the screen once mounted. Available with a choice of black, chrome or white poles.

### SPECIFICATION

Recommended screen size	65" - 100"
Max load	80kg
VESA® & non-VESA fixings	up to 1000 x 600mm
Tilt positions	0°, 5°, 10°, 15°
Ceiling drop	980mm, 1480mm, 1980mm or 2980mm*
Colour option (Ø50mm poles)	Black, White or Chrome
Colour option (ceiling plate)	Black or White

\*From the ceiling to the centre of the mount.

### FEATURES

- Twin pole mount suitable for screens 65" and over
- Heavy duty steel capable of supporting very heavy loads
- Lateral adjustment of screen once mounted
- Integrated cable management for a neat and tidy installation
- Adjustment screws allow screen to be levelled once mounted
- Simple 'hook-on' installation



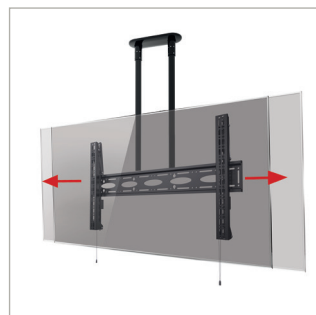
BT8449-100	1m Pole
BT8449-150	1.5m Pole
BT8449-200	2m Pole
BT8449-300	3m Pole

Available in 4 pole lengths\*\*

\*\* White poles only available in 1m & 1.5m lengths



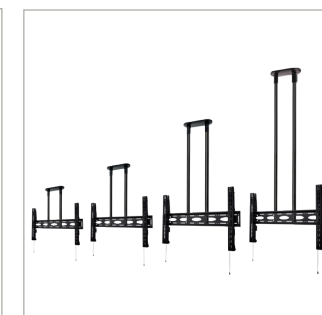
Integrated cable management for a neat and tidy installation



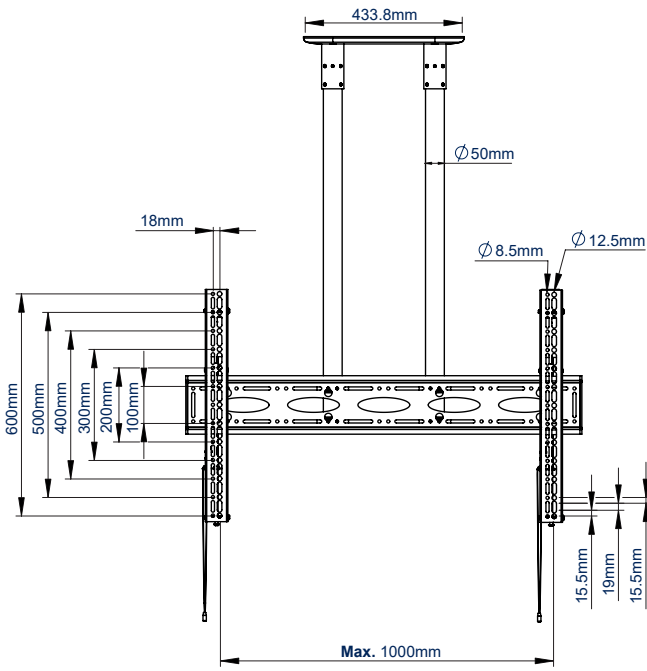
Post installation screen alignment for perfect positioning every time



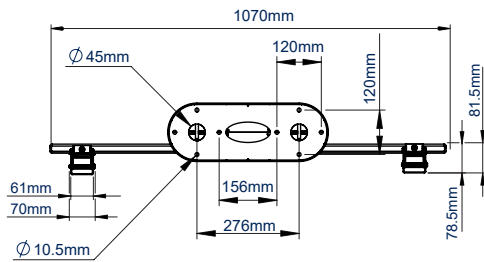
Fixed tilt at 0°, 5°, 10° and 15°



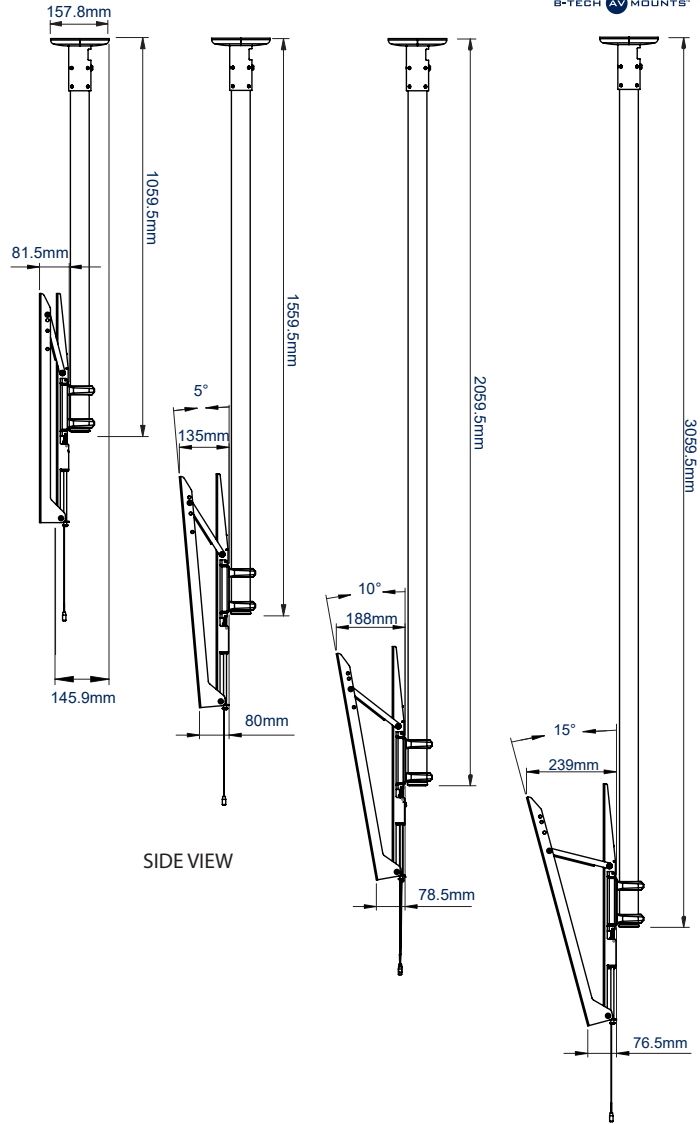
Available with a choice of four pole lengths: 1m, 1.5m, 2m & 3m



FRONT VIEW



TOP VIEW



SIDE VIEW

**PACKING INFORMATION**

PLEASE NOTE, THIS IS A 3 BOX ITEM.

COLOUR:	ORDER REF:	EAN CODE:	MASTER CARTON QTY:	INNER CARTON QTY:	MASTER CARTON WEIGHT:	MASTER CARTON CUBE:
Black with Black Poles	BT8449-100/BB	5019318303937	1 / 1	0 / 0	12.5kg / 16kg / 3.86kg	0.03 / 0.03 / 0.01 cbm
Black with Chrome Poles	BT8449-100/BC	5019318304026	1 / 1	0 / 0	12.5kg / 16kg / 3.86kg	0.03 / 0.03 / 0.01 cbm
Black with White Poles	BT8449-100/WW	5019318303944	1 / 1	0 / 0	12.5kg / 16kg / 3.86kg	0.03 / 0.03 / 0.01 cbm
Black with Black Poles	BT8449-150/BB	5019318303951	1 / 1	0 / 0	12.5kg / 16kg / 6.18kg	0.03 / 0.03 / 0.01 cbm
Black with Chrome Poles	BT8449-150/BC	5019318303968	1 / 1	0 / 0	12.5kg / 16kg / 6.18kg	0.03 / 0.03 / 0.01 cbm
Black with White Poles	BT8449-150/WW	5019318303975	1 / 1	0 / 0	12.5kg / 16kg / 6.18kg	0.03 / 0.03 / 0.01 cbm
Black with Black Poles	BT8449-200/BB	5019318303982	1 / 1	0 / 0	12.5kg / 16kg / 7.66kg	0.03 / 0.03 / 0.01 cbm
Black with Chrome Poles	BT8449-200/BC	5019318303999	1 / 1	0 / 0	12.5kg / 16kg / 7.66kg	0.03 / 0.03 / 0.01 cbm
Black with Black Poles	BT8449-300/BB	5019318304002	1 / 1	0 / 0	12.5kg / 16kg / 11.58kg	0.03 / 0.03 / 0.02 cbm
Black with Chrome Poles	BT8449-300/BC	5019318304019	1 / 1	0 / 0	12.5kg / 16kg / 11.58kg	0.03 / 0.03 / 0.02 cbm

**RELATED PRODUCTS TO THE BT8449**



**BT8448**  
Extra Large Flat Screen Ceiling Mount for screens up to 130"



**BT8426**  
Flat Screen Ceiling Mount with Adjustable Drop and Tilt for screens up to 65"



**BT9910**  
Extra-Large Flat Screen Wall Mount with Tilt for screens over 65"



**BT8506**  
Extra-Large Flat Screen Display Trolley for extra-large screens up to 130kg

© 2016 B-Tech Av Mounts Ltd. All rights reserved. The information in this specification is current technical specifications at the time of print. We reserve the right to change the technical or physical specifications without prior notice. This B-Tech Av Mounts logo and B-Tech Av Mounts are registered trademarks of B-Tech Av Mounts Ltd. B-Tech Av Mounts is a registered trademark of B-Tech Av Mounts Ltd. All other trademarks are the property of their respective owners. B-Tech Av Mounts Ltd. is not responsible for any damage caused by improper or misuse of the product. Any reproduction or transmission or publication of any part of this specification is strictly prohibited unless prior written permission has been granted by B-Tech Av Mounts Ltd. (BTL)

SS-V3-BT8449-240820