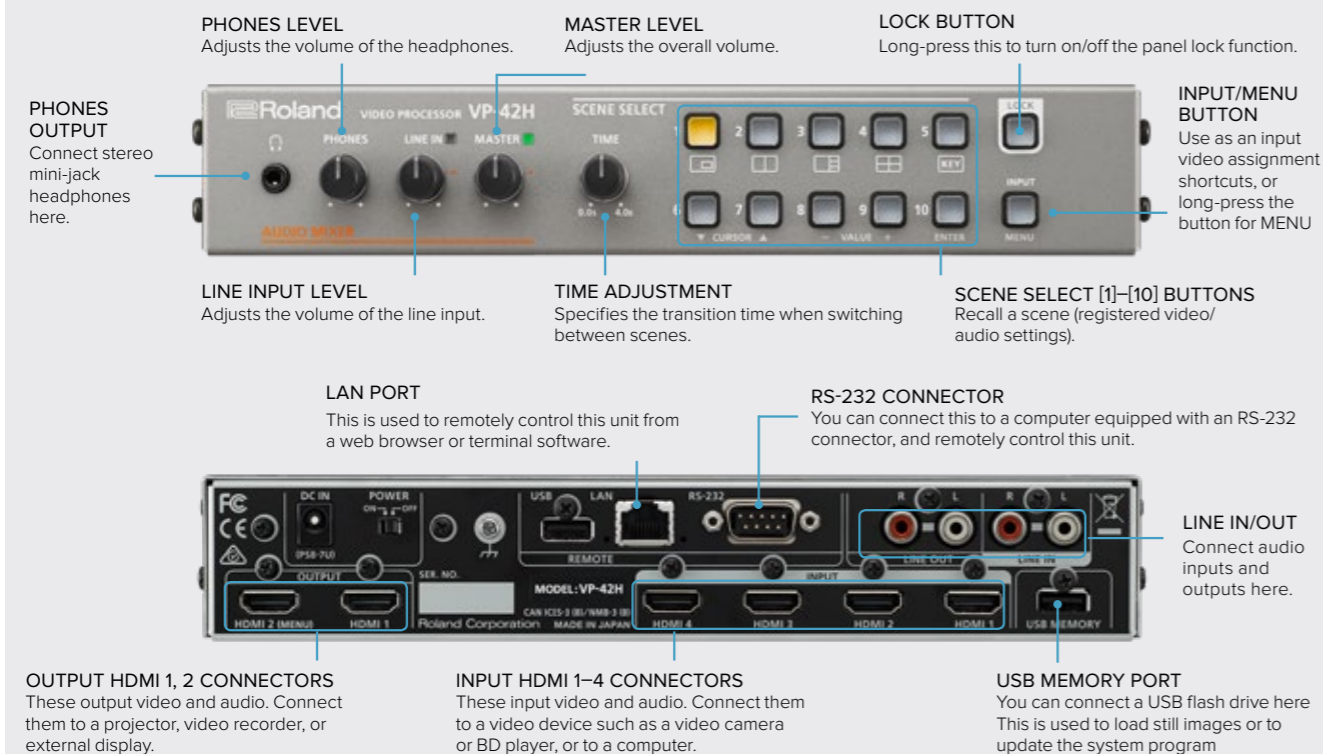


VP-42H | VIDEO PROCESSOR



Everything you need, on a single screen

- Combine up to four HDMI video sources on to a single output
- Connect and switch multiple resolutions simultaneously
- Motion Scene Switching for fluid transitions between complex screen sets
- Simple set-up and remote switching with browser-based network control
- Audio management and connection to external audio devices
- Keyer function for overlays and advanced compositions



Maximum effect, minimum effort

The VP-42H goes way beyond typical switchers. You can instantly switch between 'scenes' containing preset arrangements of layered sources in customizable inset windows. The VP-42H smoothly transitions between current and next scenes by automatically moving and resizing the windows to their new positions. And highly impressive scene changes that used to take hours to program now happen at the touch of a button.

Simple, solid switching

Not all events require creative display and advanced scene transition capabilities. For simpler scenarios, the VP-42H functions as a true cross-dissolve seamless switcher, with a keyer to create overlays and the ability to display still images via USB drive — perfect for logos and safety slides.

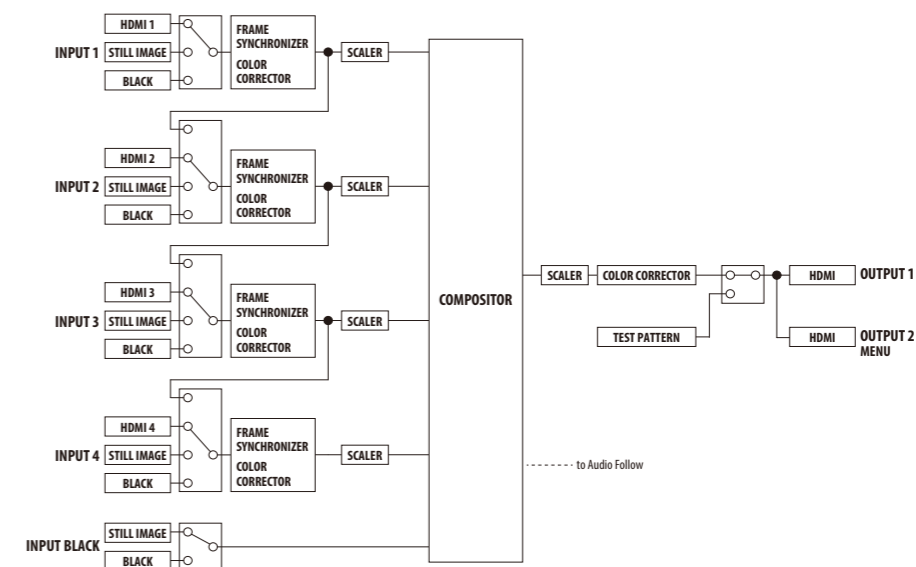
Flexible audio capability

The Roland VP-42H includes stereo RCA outputs for de-embedding audio from connected HDMI sources and outputting it to other devices such as speakers and mixers. Levels for each source can be set by the internal audio mixer, and if the VP-42H is being used as a compositor for recording or streaming, the audio from an external mixer or other sources can be connected to the RCA inputs and embedded into the HDMI output signal.

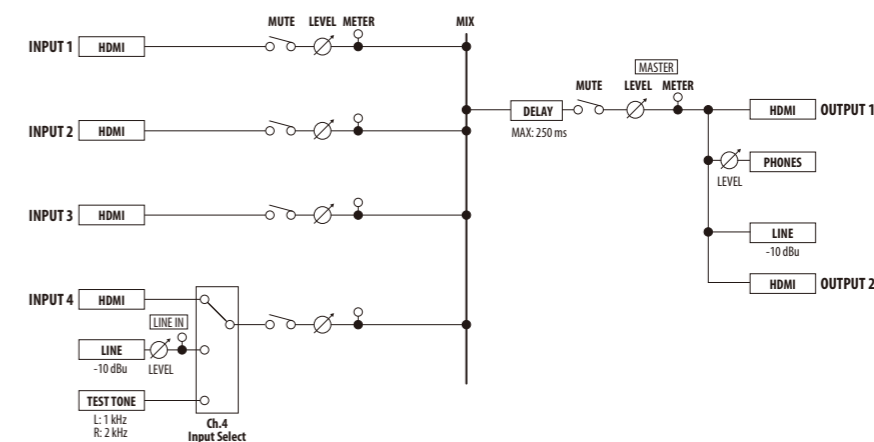


BLOCK DIAGRAM

VIDEO



AUDIO



SPECIFICATIONS VP-42H

VIDEO	
Processing	4:4:4 (Y/Pb/Pr, RGB)/10 bits, 4:2:2 (Y/Pb/Pr)/10 bits
Input Connectors	HDMI: HDMI type A x 4 (HDMI INPUT 1-4), * HDCP Supported
Output Connectors	HDMI: HDMI type A x 2 (HDMI OUTPUT 1-2), * HDCP Supported
Formats	480/59.94i (*1), 576/50i (*1), 480/59.94p (*1), 576/50p (*1), 720/59.94p, 720/50p, 1080/59.94i, 1080/50i, 1080/59.94p, 1080/50p, 800 x 600/60 (*1), 1024 x 768/60 (*2), 1280 x 720/60 (*2), 1280 x 800/60 (*2), 1366 x 768/60 (*2), 1280 x 1024/60 (*2), 1400 x 1050/60 (*2), 1600 x 1200/60, 1920 x 1080/60, 1920 x 1200/60 RB *Conforms to CEA-861-E/VESA DMT Version 1.0 Revision 11 *Frame rate is 59.94 Hz (NTSC) or 50 Hz (PAL). (*1) Input only. (*2) Output refresh rate is 75 Hz when frame rate is set to 50 Hz.
Composition	Layer: 4 (Picture in Picture x 4) *Layer 1 is Picture in Picture with Keyer.
Transition	Black-insert, Mix, Cut, Motion
Still Image	Internal Memory: 1 Maximum Size: 1920 x 1200 pixels Format: Windows Bitmap File (.bmp) 24 bit per pixel, uncompressed

AUDIO	
Sample Rate	48 kHz, 24 bits
Input Connectors	HDMI: HDMI type A x 4, AUDIO INPUT: RCA pin type
Output Connectors	HDMI: HDMI type A x 2 *2 Output is the same audio. AUDIO OUTPUT: RCA pin type PHONES: Stereo mini type
Input Level	AUDIO INPUT: -10 dBu (Maximum: +8 dBu)
Input Impedance	AUDIO INPUT: 15 k ohms
Output Level	AUDIO OUTPUT: -10 dBu (Maximum: +8 dBu) PHONES: 72 mW + 72 mW (32 ohms)
Output Impedance	AUDIO OUTPUT: 1 k ohm PHONES: 10 ohms
Formats	HDMI: Linear PCM, 24 bits, 48 kHz, 2 ch
Processing	Mixer: 4 ch (Delay: Maximum 250 ms)

OTHERS	
External Connectors	REMOTE RS-232: DB-9 type (Male) x 1 LAN: RJ45 x 1 USB: USB A type x 1 (Use for future expansion) * USB MEMORY: USB A type x 1 (Use for USB Memory)
Functions	Scene Memory: 10 Test Pattern Generator Test Tone Generator EDID Emulator
Power Supply	AC Adaptor
Current Draw	2.1 A
Power Consumption	25 W
Operation Temperature	+0 to +40 degrees Celsius, +32 to +104 degrees Fahrenheit
Dimensions	242 (W) x 125 (D) x 44 (H) mm 9-9/16 (W) x 4-15/16 (D) x 1-3/4 (H) inches
Weight	1.2 kg, 2 lbs 11 oz
Accessories	Owner's Manual, Leaflet "USING THE UNIT SAFELY", AC adaptor, Power cord, Rubber feet (4 pcs.), Rack mount angle set

* 0 dBu=0.775 Vrms