



B-TECH AV MOUNTS

B-TECH AV MOUNTS

COMBINE
 MOUNTING RAILS
 TO CREATE LONGER
 INSTALLS

BT8390-EXT

SYSTEM X™

RAIL EXTENSION KIT



The BT8390-EXT is an extension kit designed to extend rails to a desired length, perfect for creating large menu boards, video walls and other digital signage installations. The kit consists of 6 steel joining bars which fit into the channels on either side of the mounting rail. The joining bars are then held firmly together using the internal grub screws. The underside of the joining bars feature spring-loaded bearings which allows the bars to move easily into their fixed position.

SPECIFICATION

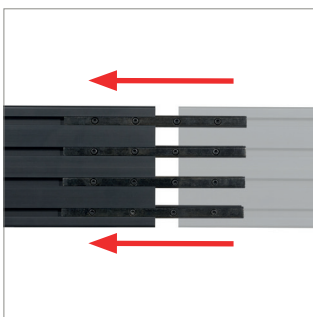
Joining Bars per kit	6
Dimensions (per joining bar)	L:180mm W:12mm D:8mm
Colour	Silver or Black

FEATURES

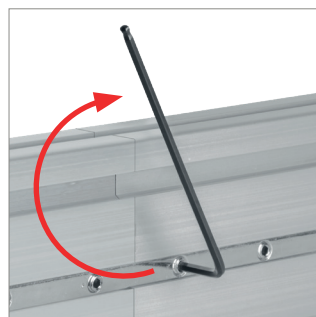
- Combines BT8390 Horizontal Mounting Rails to create longer lengths
- Joining bars are made from 6mm thick steel
- Spring-loaded bearings allow the joining bars to move easily into position
- Rails slide easily into position to create a seamless join
- High-end aesthetic quality
- Securely lock the mounting rails in place using the internal grub screws
- Seamless finish maintains the premium quality of the product
- All mounting hardware included
- 6 joining bars supplied with each kit



SYSTEM X™



Rails slide easily into position to create a seamless join



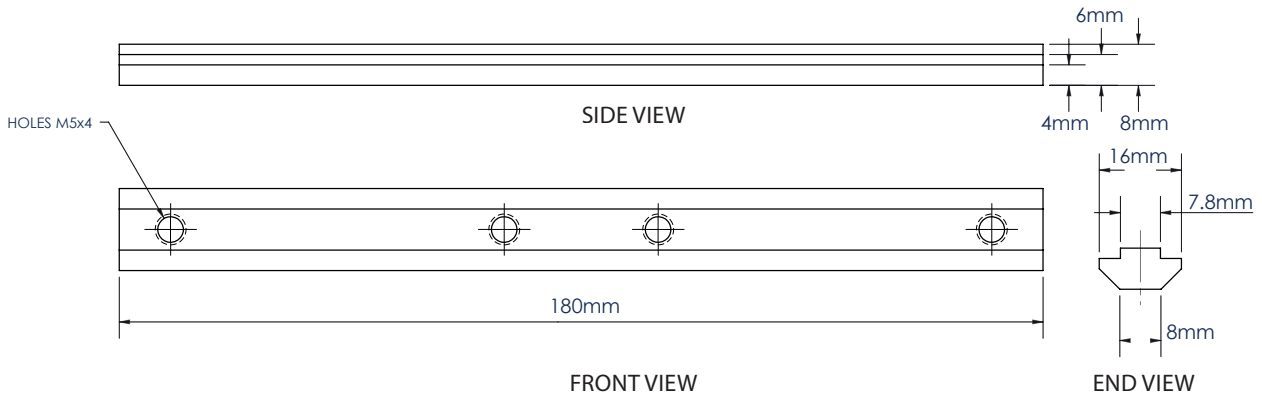
Securely lock the mounting rails in place using the locking bar's internal grub screws



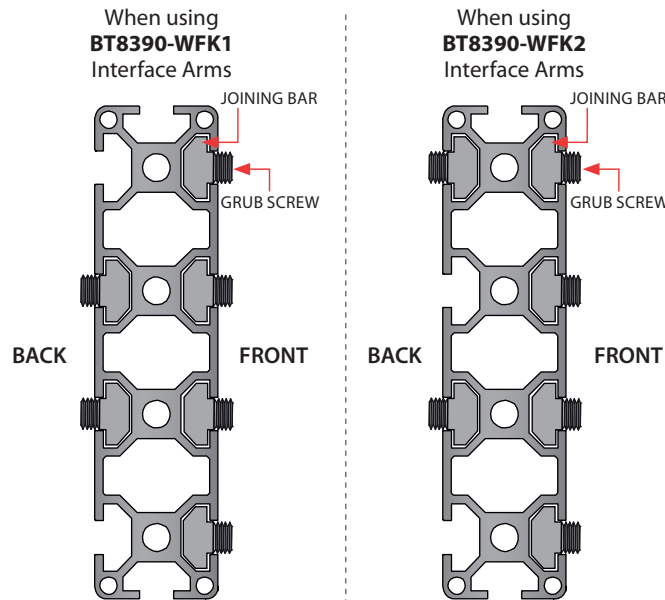
Spring-loaded bearings allow the joining bars to move easily into position



Seamless finish maintains the premium quality of the product



REQUIRED BT8390-EXT ASSEMBLY



PACKING INFORMATION

COLOUR:	ORDER REF:	EAN CODE:	MASTER CARTON QTY:	MASTER CARTON WEIGHT:	MASTER CARTON CUBE:
Silver	BT8390-EXT/S	5019318501296	48	32kg	0.04cbm
Black	BT8390-EXT/B	5019318305917	48	32kg	0.04cbm

ORIGINAL DESIGNS BY B-TECH AV MOUNTS - REGISTERED DESIGNS & PATENTS APPLY

ACCESSORIES AND RELATED PRODUCTS

BT8390-030/050/070/150/175/200/300

BT8380-060/180

BT8390-WFK1

BT8390-WFK2

Horizontal Mounting Rails are used to create a huge range of System X mounting solutions.

Vertical Columns are used to support horizontal rails creating System X stands

BT8390-WFK1 is a low profile wall mount for horizontal rails

BT8390-WFK2 is designed for wall mounting horizontal rails with added depth.

© 2019 B-Tech Mounts. All rights reserved. B-Tech Mounts is a registered trademark of B-Tech Mounts. All other trademarks are the property of their respective owners. B-Tech Mounts is not responsible for any damage or loss of data caused by improper use of its products. Any reproduction or distribution of any part of this specification is strictly prohibited unless prior written permission has been granted by B-Tech Mounts.

SS-V2.1-BT8390-EXT-1-130722