

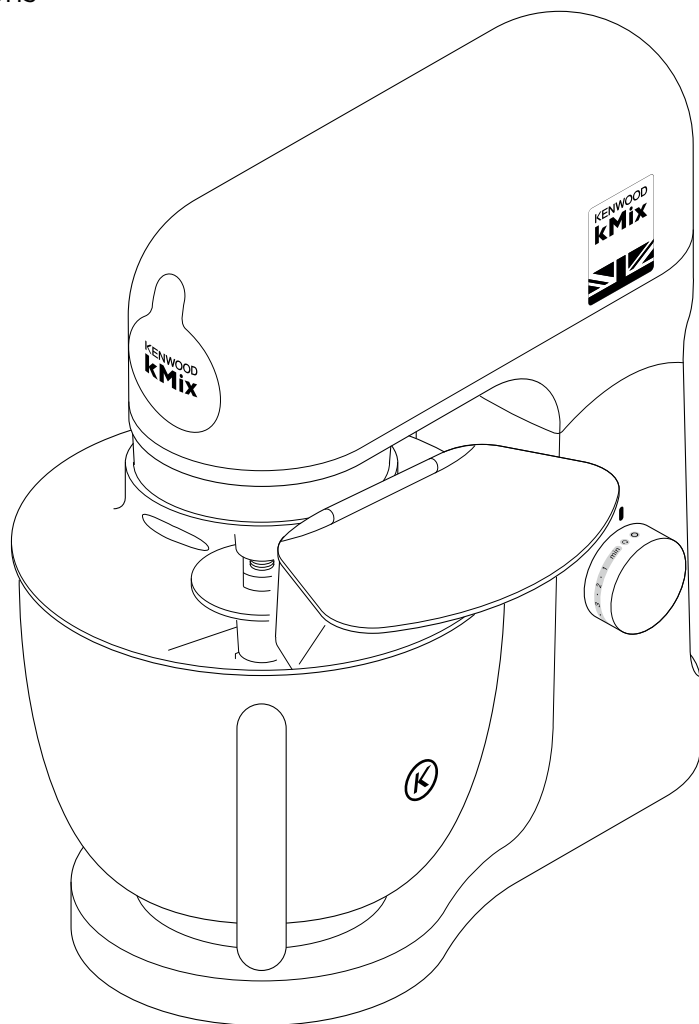
# KENWOOD kMix

TYPE KMX75

TYPE KMX76

---

instructions

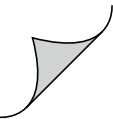


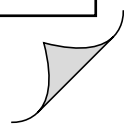
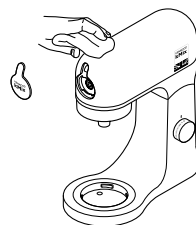
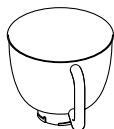
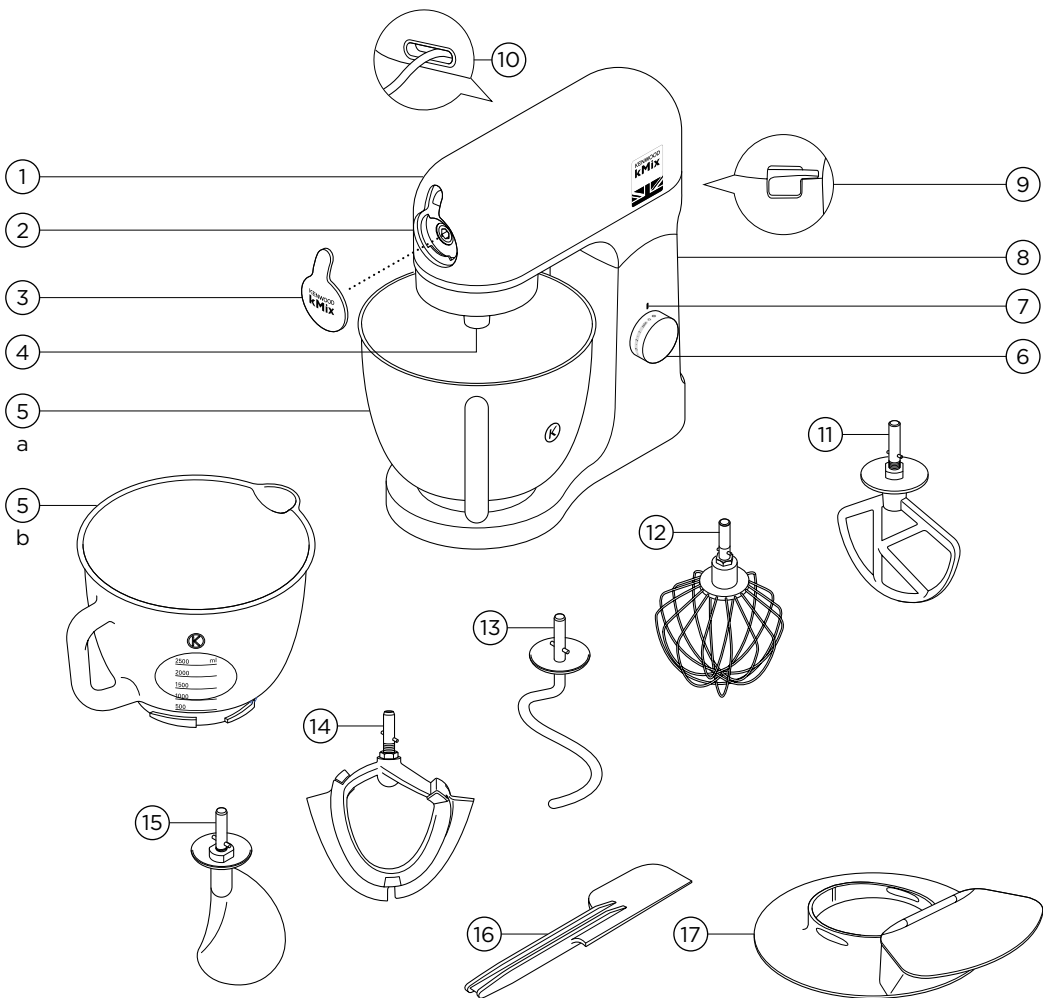
**English**

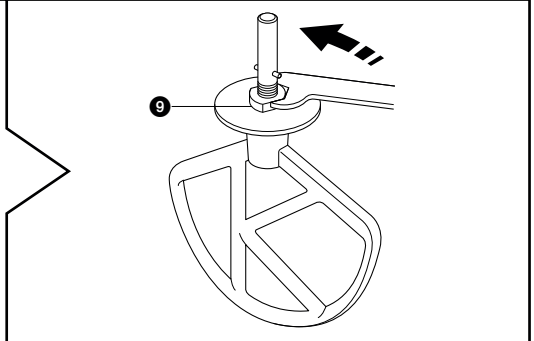
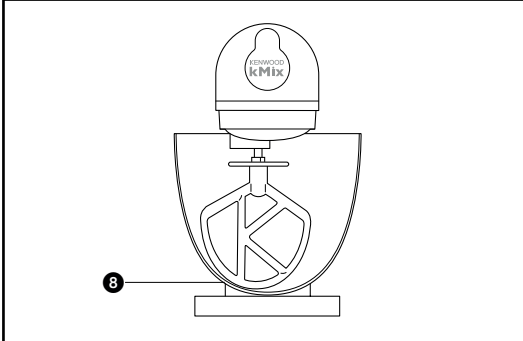
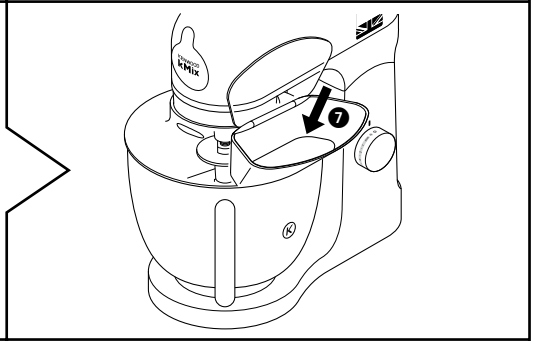
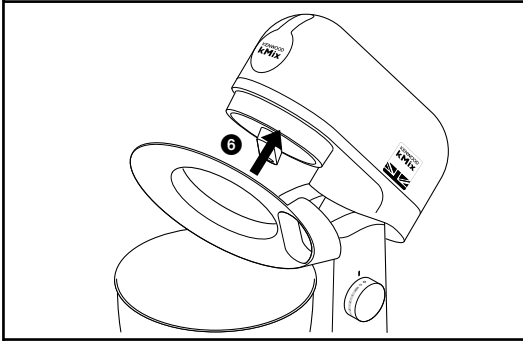
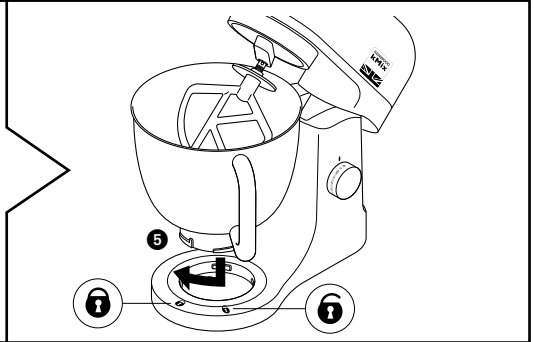
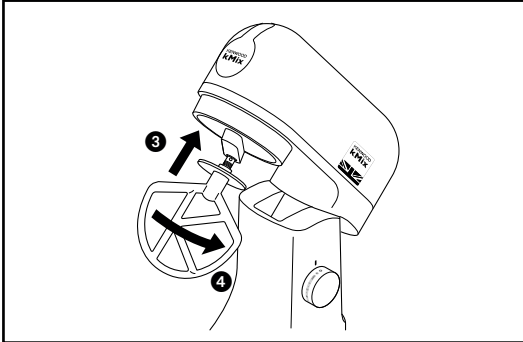
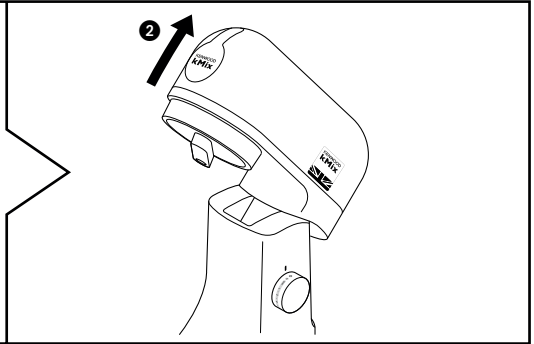
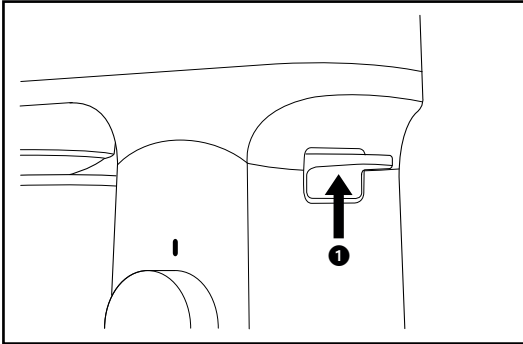
**2 - 13**

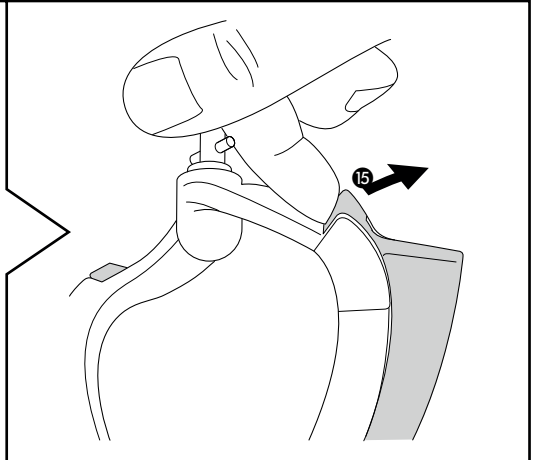
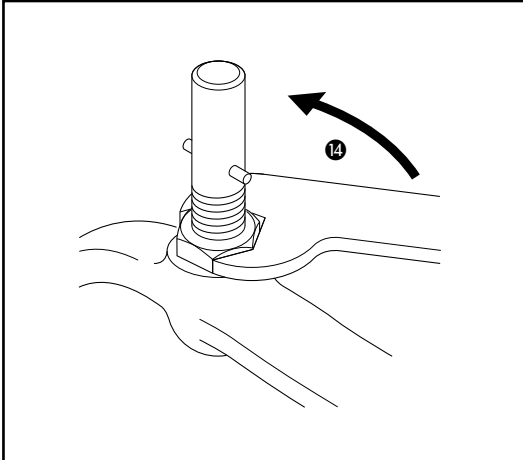
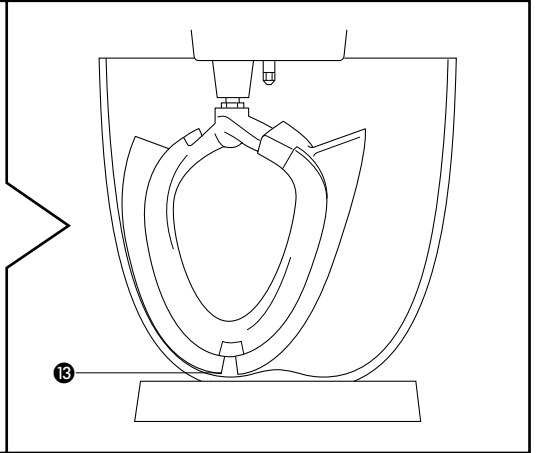
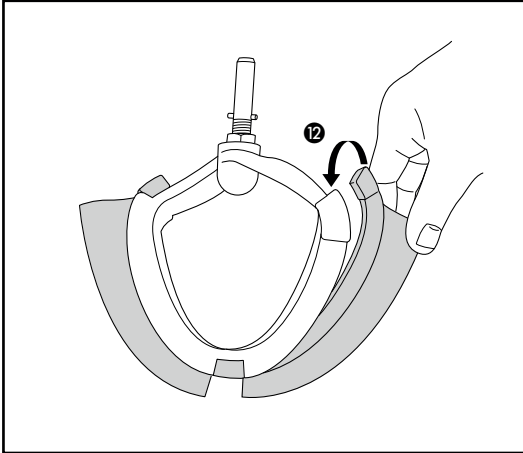
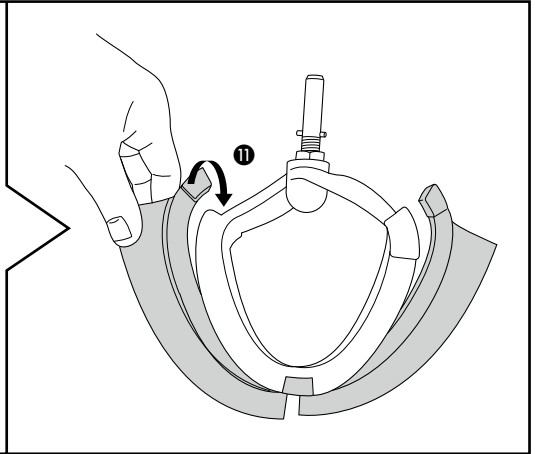
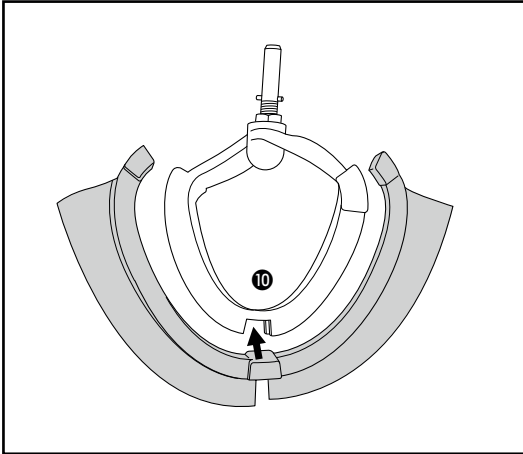
عربي

٢٥ - ١٤









## Safety

- Read these instructions carefully and retain for future reference.
- Remove all packaging and any labels.
- If the plug or cord is damaged it must, for safety reasons, be replaced by Kenwood or an authorised Kenwood repairer in order to avoid a hazard.
- Switch off and unplug before fitting or removing tools/attachments, after use and before cleaning.
- Keep your fingers away from moving parts and fitted attachments.
- Never leave the machine on unattended.
- Never use a damaged machine. Get it checked or repaired: see 'service and customer care'.
- Never let the cord hang down where a child could grab it.
- Never operate the Stand Mixer with the head in the raised position.
- Never let the power unit, cord or plug get wet.
- Never use an unauthorised attachment or both outlets at the same time
- Never exceed the maximum quantities and speeds stated in the Recommended Usage Chart.
- When using an attachment, read the safety instructions that come with it.
- Take care when removing bowl tools after extended use as they may get hot.
- Take care when lifting this appliance as it is heavy. Ensure the head is locked and that the bowl, tools, outlet cover and cord are secure before lifting.
- When moving the appliance always pick up by the pedestal base and mixer head. Do not lift or carry the appliance by the bowl handle.
- Do not move or raise the mixer head with an attachment fitted as the Stand mixer could become unstable.
- Do not operate your appliance near the edge or overhanging the work surface or apply force to an attachment when fitted, as this may cause the unit

to become unstable and tip over, which may result in injury.

- This appliance shall not be used by children. Keep the appliance and its cord out of reach of children.
- Children should be supervised to ensure that they do not play with the appliance.
- Misuse of your appliance can result in injury.
- The short power-supply cord is used to reduce risk resulting from becoming entangled in or tripping. Extension cords may be used if care is exercised in their use. If an extension cord is used: 1) The marked electrical rating of the extension cord should be at least as great as the electrical rating of the appliance; and 2) The cord should be arranged so that it will not drape over the countertop or tabletop where it can be pulled on by children or tripped over unintentionally. 3) The extension cord should be an earthed-type 3-wire cord. The electrical rating of the appliance is listed on the bottom of the unit.
- Appliances can be used by persons with reduced physical, sensory or mental capabilities or lack of experience and knowledge if they have been given supervision or instruction concerning use of the appliance in a safe way and if they understand the hazards involved.
- Only use the appliance for its intended domestic use. Kenwood will not accept any liability if the appliance is subject to improper use, or failure to comply with these instructions.

### **Glass bowl**

- **Before using ensure that your bowl tools are adjusted to the correct height and not in contact with the bottom of the bowl - refer to “tool adjustment” section.**
- Do not allow the bowl to come in contact with sources of high heat such as an oven or stove top.
- Do not hit tools on the side of the bowl to remove ingredients.
- The glass bowl is microwave safe.

## Special Care Instructions

Glass is a natural material, during the manufacture of this bowl every care has been taken to ensure a perfect appearance, however some small imperfections may be visible, this is normal and to be expected, the performance of the bowl will not be affected.

### Before plugging in

- Make sure your electricity supply is the same as the one shown on the underside of your appliance.

### Important - Plug and Fuse Information

- The wires in the cord are coloured as follows:  
Green and Yellow = Earth,  
Blue = Neutral  
Brown = Live
- If the plug supplied with your appliance has a fuse fitted and the fuse fails it must be replaced with one of the same rating.
- If the plug or cord requires replacing a new cord set should be fitted by an Authorised Kenwood Repairer.
- **WARNING: THIS APPLIANCE MUST BE EARTHED.**

### Note:

- For non-rewireable plugs the fuse cover **MUST** be refitted when replacing the fuse. If the fuse cover is lost then the plug must not be used until a replacement can be obtained. The correct fuse cover is identified by colour and a replacement may be obtained from your Kenwood Authorised Repairer (see Service).
- If a non-rewireable plug is cut off it must be **DESTROYED IMMEDIATELY**. An electric shock hazard may arise if an unwanted non-rewireable plug is inadvertently inserted into a socket outlet.
- This appliance conforms to EC Regulation 1935/2004 on materials and articles intended to come into contact with food.

### Before Using For The First Time

- Wash the parts: see 'Care and Cleaning' section.

### Key

- |   |                               |   |                               |
|---|-------------------------------|---|-------------------------------|
| ① | Mixer head                    | ⑨ | Head release lever            |
| ② | Attachment outlet             | ⑩ | Cord storage                  |
| ③ | Outlet cover                  | ⑪ | K-beater                      |
| ④ | Tool socket                   | ⑫ | Whisk                         |
| ⑤ | Bowl                          | ⑬ | Dough tool                    |
| a | Stainless steel (if supplied) | ⑭ | Creaming beater (if supplied) |
| b | Glass (if supplied)           | ⑮ | Folding tool (if supplied)    |
| ⑥ | On/Off and speed control      | ⑯ | Spatula                       |
| ⑦ | Mixer ready indicator light   | ⑰ | Splashguard                   |
| ⑧ | Mixer body                    |   |                               |




## To Use Your Mixer

- 1 Lift the head release lever ⑨ at the back of the Stand mixer ① and at the same time lift the head ① until it locks in the raised position ②.
- 2 Place the required tool into the socket. Then push up ③ and turn ④ the tool to lock into position.
- 3 Fit the bowl onto the base. Place the handle directly over the unlock symbol ⑥, then gently turn the bowl clockwise until the handle is directly above the lock symbol ⑦. DO NOT USE excessive force and DO NOT overtighten ⑤.
- 4 Lift the head release lever ⑨ at the back of the Stand mixer and at the same time lower the mixer head ①.
- 5 Plug into the power supply and the 'mixer ready indicator light' will illuminate.
- 6 Switch on by turning the speed control to the desired setting.
- 7 Release the tool by turning clockwise to unlock from the tool socket and then remove.

### Important

- If the mixer head is raised during operation, the machine will stop working straight away. To re-start the mixer, lower the mixer head, turn the speed switch to the 'O' position, wait a few seconds and then re-select the speed. The mixer should resume operating straight away.
- Whenever the mixer head is raised the 'mixer ready indicator light' will go out. When the head is lowered, the light will illuminate indicating the mixer is ready to use.

### Hints

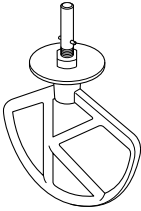



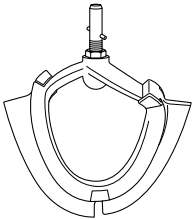



- The fold function  can be used for folding light ingredients into heavier mixtures for example meringues, mousses, fruit fools, Genoese sponges and soufflés, and to slowly incorporate flour and fruit into cake mixtures. The mixer will operate at a constant slow speed.
- Your Stand mixer has been fitted with a 'soft start' feature to minimise spillage. However if the machine is switched on with a heavy mixture in the bowl such as bread dough, you may notice that the mixer takes a few seconds to reach the selected speed.

## Electronic Speed Sensor Control

Your mixer is fitted with an electronic speed sensor control that is designed to maintain the speed under different load conditions, such as when kneading bread dough or when eggs are added to a cake mix. You may therefore hear some variation in speed during the operation as the mixer adjusts to the load and speed selected - this is normal.

## Recommended Usage Chart

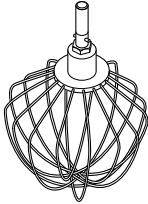
**This is for guidance only and will vary depending on the exact recipe and ingredients being processed.**

		<b>K-beater</b> For making cakes, biscuits, pastry, icing, fillings, eclairs and mashed potato.		
		<b>Hints and Tips</b> <ul style="list-style-type: none"> <li>• To avoid splashing of ingredients gradually increase the speed.</li> <li>• To fully incorporate the ingredients, stop mixing and scrape down the bowl with the spatula frequently.</li> <li>• Use cold ingredients for pastry unless your recipe says otherwise.</li> </ul>		
<b>Recipe/ Process</b>		 <b>(Max)</b>		 <b>(Minutes)</b>
Pastry & Biscuits - rubbing fat into flour	Flour Weight	680g	Min → 2	2 - 3
All In one cake mixes	Total Weight	2kg	Min → Max	1
		<b>Creaming Beater</b> For creaming and mixing soft ingredients.		
		<b>Hints and Tips</b> <ul style="list-style-type: none"> <li>• To avoid splashing of ingredients gradually increase the speed.</li> <li>• When creaming fat and sugar for cake mixes, always use the fat at room temperature or soften it first.</li> <li>• Do not use with heavy recipes such as dough or hard ingredients, for example those containing fruit stones, bones or shells.</li> </ul>		
<b>Recipe/ Process</b>		 <b>(Max)</b>		 <b>(Minutes)</b>
Creaming butter/margarine and sugar		2.68kg	Min → Max	2
Beating eggs into cake mixes			Min → Max	1 - 4
Folding in flour, fruit etc			Fold → 1	30 - 60 secs

Eggs sizes used = medium sized (Weight 53 - 63g)

## Recommended Usage Chart

**This is for guidance only and will vary depending on the exact recipe and ingredients being processed.**






### Whisk

For eggs, cream, batters, fatless sponges, meringues, cheesecakes, mousses, soufflé's

### Important

- To avoid splashing of ingredients gradually increase the speed.
- **Do not use the whisk for heavy mixtures (all in one cakes and creaming fat & sugar) as you could damage it.**
- Best results achieved when eggs are at room temperature. Before whisking egg whites, make sure there is no grease or egg yolk on the whisk or the bowl.

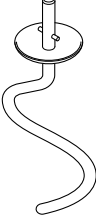



Recipe/ Process	 (Max)		 (Minutes)
Egg Whites	12 (420g)	Min → Max	3
Cream	1L		2 - 3
Pancake Batter • Add flour to the bowl first, followed by the wet ingredients. • Mix on minimum speed to incorporate ingredients.	250g Flour 500g Milk 200g Eggs	Min	10 secs
		Max	45 - 60 secs
Mayonnaise • For best results scrape down the bowl after the addition of the oil and run for a further 10 secs at max speed.	2 Egg Yolks 10g Mustard 200mls Vegetable Oil	Max	1 - 1½

Eggs sizes used = medium sized (Weight 53 - 63g)

**Whipping cream used = Fresh Whipping cream with minimum 38% Fat content**

## Recommended Usage Chart

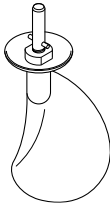
**This is for guidance only and will vary depending on the exact recipe and ingredients being processed.**

	<b>Dough Tool</b> For yeasted dough mixes			
	<b>Hints and Tips Important</b> <ul style="list-style-type: none"> <li>• <b>Never exceed the maximum capacities and speeds stated - you may overload the machine.</b></li> <li>• If you hear the machine labouring, switch off, remove half the dough and do each half separately.</li> <li>• The ingredients mix best if you put the liquid in first.</li> <li>• At intervals stop the machine and scrape the mixture off the dough tool.</li> </ul> <b>Yeast</b> <ul style="list-style-type: none"> <li>• <b>Dried Yeast</b> (the type that needs reconstituting): pour the warm water into the bowl. Then add the yeast and sugar and leave to stand for 10 minutes until frothy.</li> <li>• <b>Fresh yeast:</b> crumble into the flour</li> <li>• <b>Other types of yeast:</b> follow the manufacturer's instructions.</li> </ul>			
Recipe/ Process		 <b>(Max)</b>		 <b>(Minutes)</b>
Bread Dough (stiff yeasted)	Flour Weight	1.35kg	Min	60 secs
	Total Weight	2.17kg	1	3 - 4
Soft yeasted dough (enriched with butter and eggs)	Flour Weight	1.3kg	Re-knead Speed 1	60 secs
	Total Weight	2.5kg	Min	3 - 4
			1	60 secs
			Re-knead Speed 1	60 secs

Eggs sizes used = medium sized (Weight 53 - 63g)

## Recommended Usage Chart

**This is for guidance only and will vary depending on the exact recipe and ingredients being processed.**






### Folding Tool

The folding tool is designed for folding light ingredients into heavier mixtures for example meringues, mousses, fruit fools, Genoese sponges, soufflé's, and to fold flour into cake mixes.

### Hints and Tips Important

- It is not to be used with heavy recipes such as dough, creaming fat and sugar or all in one cake mixes.
- When adding flour to a mix, place it on a sheet of grease proof paper. Fold the side in to form a spout. Gradually add the flour to the mix using the fold function.
- Do not use a high speed as a low speed is required to optimise performance
- The tool is not designed to be used to mix hot ingredients, allow the ingredients to cool before using the folding tool.
- For best results do not over whisk egg whites or cream the folding tool will not be able to fold the mixture correctly if the whisked mix is too firm.
- Do not fold the mixture for too long as the air and the mix will be too loose. Stop once the mix is sufficiently incorporated.
- Any unmixed ingredients left on the paddle or sides of the bowl should be carefully folded in using a spatula.

Recipe/ Process		 (Max)		 (Minutes)
Genoese Sponge/ Whisked Sponge	Whisk	9 Eggs	Max	4 - 5
	Folding Tool	250g Flour	Fold	2 - 8
Soufflés	Whisk	6 Eggs	Max	1
	Folding Tool	900g	Fold	1
Chocolate Mousse	Whisk	1.5kg	Max	2 - 3
	Folding Tool		Fold	

Eggs sizes used = medium sized (Weight 53 - 63g)

## To Fit And Use Your Splashguard

- 1 Raise the mixer head until it locks.
- 2 Fit the bowl onto the base.
- 3 Push the splashguard onto the underside of the mixer head **6** until fully located. The hinged section should be positioned as shown.
- 4 Insert required tool.
- 5 Lower the mixer head.
  - During mixing, ingredients can be added directly to the bowl via the hinged section of the splashguard **7**.
  - You do not need to remove the splashguard to change tools.
- 6 Remove the splashguard by raising the mixer head and sliding it down.

## Tool Adjustment

### **K-beater, Whisk, Creaming beater and folding tool**

The tools are set to the correct height for the bowl supplied in the factory and should not require adjustment.

However, if you wish to adjust the tool use a suitable 15mm spanner:

Then follow the instructions below:

- 1 Unplug the machine.
- 2 Raise the mixer head and insert the whisk or beater.
- 3 Lower the mixer head. If the clearance needs to be adjusted, raise the mixer head and remove the tool. Ideally the whisk, K-beater and folding tool should be **almost** touching the bottom of the bowl **8**.

### **Creaming beater**

- Ideally it should be in contact with the bowl surface so that it gently wipes the bowl during mixing **13**.
- 4 Using a suitable spanner loosen the nut sufficiently to allow adjustment of the shaft **9** or **14**. To lower the tool closer to the bottom of the bowl, turn the shaft anti-clockwise.

To raise the tool away from the bottom of the bowl turn the shaft clockwise.

- 5 Re-tighten the nut.
- 6 Fit the tool to the mixer and lower the mixer head.  
(Check its position see points above).
- 7 Repeat the above steps as necessary until the tool is set correctly. Once this is achieved tighten the nut securely.

**Note: Spanner shown is for illustration purpose only.**

### **Dough Tool**

This tool is set at the factory and should require no adjustment.

### **Creaming Beater**

- The creaming beater is designed for creaming and mixing soft ingredients. Do not use with heavy recipes such as dough or hard ingredients, for example those containing fruit stones, bones or shells.

### **Fitting the Wiper Blade**

- The wiper blade is supplied already fitted and should always be removed for cleaning **15**.
- 1 Carefully fit the flexible wiper blade onto the tool by locating the base of the wiper blade into the slot **10** then fit one side into the groove before gently hooking the end in place **11**. Repeat with the other side **12**.

## Care and Cleaning

- Always switch off and unplug before cleaning.

### Power unit and outlet cover

- Wipe with a damp cloth, then dry.
- Never use abrasives or immerse in water.
- Store excess cord into the cord storage compartment ⑩ at the back of the machine.

### Stainless steel bowl

- Wash by hand, then dry thoroughly or wash in the dishwasher.
- Never use a wire brush, steel wool or bleach to clean your stainless steel bowl. Use vinegar to remove limescale.
- Keep away from heat (cooker tops, ovens, microwaves).

### Tools and splashguard

- Wash by hand, then dry thoroughly or wash in the dishwasher.

### Creaming beater

- Always remove the flexible wiper blade from the tool before cleaning ⑮.
- Wash the flexible wiper blade and tool in hot soapy water, then dry thoroughly. Alternatively the parts can be washed in a dishwasher.

Note: Please inspect the condition of the tool body before and after use and also regularly inspect the condition of the wiper blade and replace it if there are any signs of wear.

### Glass bowl

- Wash the bowl in hot soapy water, then dry thoroughly.
- Alternatively the bowl is dishwasher safe.
- Note: The collar on the base of the bowl is removable and can be washed in the same way. To remove the collar, upturn the empty bowl and unscrew the collar in an anti-clockwise direction.

## Service and Customer Care

- If you experience any problems with the operation of the appliance, before calling for assistance refer to the 'Troubleshooting Guide' or visit [www.kenwoodworld.com](http://www.kenwoodworld.com).

### UK

If you need help with:

- using your appliance or
  - servicing, spare parts or repairs (in or out of guarantee)
- ☎ call Kenwood customer care on **0345 222 0458**. **Have your model number (e.g. TYPE KMX75 or TYPE KMX76) and date code (5 digit code e.g. 21T04) ready.** They are on the underside of the Stand Mixer.

- **Spares and Attachments**

☎ call 0844 557 3653.

### Other countries

- If you experience any problems with the operation of your appliance, before requesting assistance refer to the 'Troubleshooting Guide' section in the manual or visit [www.kenwoodworld.com](http://www.kenwoodworld.com).
  - Please note that your product is covered by a warranty, which complies with all legal provisions concerning any existing warranty and consumer rights in the country where the product was purchased.
  - If your Kenwood product malfunctions or you find any defects, please send it or bring it to an authorised KENWOOD Service Centre. To find up to date details of your nearest authorised KENWOOD Service centre visit [www.kenwoodworld.com](http://www.kenwoodworld.com) or the website specific to your Country.
- Designed and engineered by Kenwood in the UK.
  - Made in China.



### IMPORTANT INFORMATION FOR CORRECT DISPOSAL OF THE PRODUCT IN ACCORDANCE WITH THE EUROPEAN DIRECTIVE ON WASTE ELECTRICAL AND ELECTRONIC EQUIPMENT (WEEE)

At the end of its working life, the product must not be disposed of as urban waste. It must be taken to a special local authority differentiated waste collection centre or to a dealer providing this service.

Disposing of a household appliance separately avoids possible negative consequences for the environment and health deriving from inappropriate disposal and enables the constituent materials to be recovered to obtain significant savings in energy and resources. As a reminder of the need to dispose of household appliances separately, the product is marked with a crossed-out wheeled dustbin.

### Guarantee UK only

- If your Stand Mixer goes wrong within one year from the date you bought it, we will repair it (or replace it if necessary) free of charge provided:
- you have not misused, neglected, or damaged it;
- it has not been modified;
- it is not second hand;
- it has not been used commercially;
- you have not fitted a plug incorrectly; and
- **you supply your receipt to show when you bought it.**

This guarantee does not affect your statutory rights.



## Troubleshooting Guide

<b>Problem</b>	<b>Cause</b>	<b>Solution</b>
The whisk or K-beater knocks against the bottom of the bowl or not reaching the ingredients in the bottom of the bowl.	Tool at the wrong height and needs adjusting.	Adjust the height using a suitable spanner – see “Tool Adjustment” section.
‘Mixer ready indicator light’ flashing when Stand mixer first plugged in.	Speed control not in the ‘O’ position.	Check and turn speed control to the ‘O’ position.
The Stand mixer stops during operation. ‘Mixer ready indicator light’ flashing rapidly.	Overload protection or overheat system activated. Maximum capacity exceeded.	Unplug and check for obstruction or overloading. Turn the speed control to “O” and then restart. If the machine will not operate, remove some of the ingredients to reduce the load and restart. If this still does not resolve the problem, unplug and allow to stand for 15 minutes. Plug in and reselect the speed. If the machine does not restart following the above procedure contact “customer care” for further advice.
‘Mixer ready indicator light’ flashing slowly whilst machine plugged in.	Stand mixer has been left plugged in for more than 30 minutes without being operated and has gone into Standby mode.	Turn the speed control to ‘min’ then return to ‘O’ to reset the machine.

## دليل استكشاف المشكلات وحلها

المشكلة	السبب المحتمل	الحل
خفاقة البيض أو مضرب العجين يقرع قاع السلطانية أو لا يصل إلى المكونات الموجودة في قاع السلطانية.	ارتفاع الأداة غير صحيح وتحتاج لضبط ارتفاعها.	اضبطي طول الأداة باستخدام مفتاح ربط لتعديل الارتفاع - راجعي قسم «ضبط الأداة».
يومض «ضوء مؤشر استعداد الخلاط» عند توصيل جهاز المطبخ المتكامل بمصدر التيار الكهربى للمرة الأولى.	مفتاح التحكم في السرعات غير موجه على موضع إيقاف التشغيل «O».	تأكدى من مفتاح التحكم في السرعات وتوجيهه على موضع إيقاف التشغيل «O».
يتوقف جهاز المطبخ المتكامل خلال التشغيل. يومض «ضوء مؤشر استعداد الخلاط» بشكل سريع.	تم تنشيط وظيفة الحماية ضد التحميل الزائد أو الارتفاع المفرط لدرجة حرارة الجهاز.  تم تجاوز السعة القصوى المحددة.	افصلي الجهاز وتحققي من وجود انسداد أو فرط تحميل... لفي مفتاح التحكم في السرعات إلى وضع إيقاف التشغيل «O» ثم أعيدي تشغيل الجهاز مرة أخرى. في حالة عدم عمل الجهاز، ففي هذه الحالة أزيلى كمية من المكونات لتقليل الحمل وأعيدي تشغيل الجهاز. إذا لم يساعد ذلك في حل المشكلة، افصلي الجهاز عن مصدر التيار الكهربى وأتركه ١٥ دقيقة ليبرد. وصلي الجهاز بمصدر التيار الكهربى وأعيدي تحديد السرعة المطلوبة. في حالة عدم عمل الجهاز بعد الإجراءات السابقة، ففي هذه الحالة اتصلي بمركز «خدمة العملاء» لطلب المساعدة.
يومض «ضوء مؤشر استعداد الخلاط» بشكل بطيء عند توصيل الجهاز بمصدر التيار الكهربى.	تم توصيل جهاز المطبخ المتكامل بمصدر التيار الكهربى لمدة أطول من ٣٠ دقيقة دون استخدامه وبذلك دخل الجهاز في وضع الاستعداد.	أديرى مفتاح تحكم السرعة إلى موضع السرعة المنخفضة «min» ثم أعيديه إلى موضع إيقاف التشغيل «O» لإعادة تعيين الجهاز.

## الصيانة ورعاية العملاء

- في حالة مواجهة أية مشكلة متعلقة بتشغيل الجهاز، قبل الاتصال لطب المساعدة، يرجى مراجعة قسم «دليل اكتشاف المشكلات وحلها» في الدليل أو زيارة موقع الويب [www.kenwoodworld.com](http://www.kenwoodworld.com).
- يرجى الملاحظة بأن جهازك مشمول بضمان، هذا الضمان يتوافق مع كافة الأحكام القانونية المعمول بها والمتعلقة بحقوق الضمان والمستهلك في البلد التي تم شراء المنتج منها.
- في حالة تعطل منتج Kenwood عن العمل أو في حالة وجود أي عيوب، فيرجى إرساله أو احضاره إلى مركز خدمة معتمد من KENWOOD. للحصول على معلومات محدثة حول أقرب مركز خدمة معتمد من KENWOOD، يرجى زيارة موقع الويب [www.kenwoodworld.com](http://www.kenwoodworld.com)، أو موقع الويب المخصص لبلدك.
- تمت الأعمال الهندسية والتصميم من قبل شركة Kenwood في المملكة المتحدة.
- صنع في الصين.



### معلومات هامة هو الكيفية الصحيحة للتخلص من المنتج وفقاً لتوجيهات الاتحاد الأوروبي المتعلقة بنفايات المعدات الكهربائية والإلكترونية (WEEE)

في نهاية العمر التشغيلي للجهاز، يجب عدم التخلص من الجهاز في نفايات المناطق الحضرية. بل يجب أخذه إلى مركز تجميع خاص بجهة محلية متخصصة في التخلص من هذه النفايات أو إلى تاجر يقدم هذه الخدمة. التخلص من الأجهزة المنزلية على نحو منفصل يجنب الآثار السلبية المحتملة على البيئة والصحة والتي تنتج عن التخلص من هذه النفايات بطريقة غير مناسبة، كما أن هذه العملية تسمح باسترداد المواد المكونة، الأمر الذي يتيح الحصول على وفورات كبيرة في مجال الطاقة والموارد. للتذكير بضرورة التخلص من الأجهزة المنزلية على نحو منفصل، يوجد على الجهاز صورة مشطوبة لسلة قمامة ذات عجلات.

- ابعديها عن مصادر الحرارة (سطح الموقد، الأفران، المايكروويف).

### الأدوات ومانع الرذاذ

- غسيل يدوي ثم التجفيف جيداً أو غسيل في غسالة الأطباق.

### مضرب الخلطات الكريمة

- أزيل دائماً الخفاقة المرنة عن الملحق (الأداة) قبل التنظيف 15.
- اغسلي الخفاقة المرنة والملحق (الأداة) في محلول ماء وصابون ساخن ثم جففيهما جيداً. أو بطريقة أخرى، يمكن غسل هذه الأجزاء في غسالة الأطباق.
- ملاحظة: يرجى فحص حالة جسم الأداة قبل وبعد الاستخدام وأيضاً فحص حالة شفرة المضرب بانتظام واستبدالها في حالة ظهور أي من علامات التآكل.

### السلطانية الزجاجية

- اغسلي السلطانية في محلول ساخن من الماء والصابون ثم جففيها جيداً.
- أو بطريقة أخرى، يمكنك غسل السلطانية داخل غسالة الأطباق.
- ملاحظة: الطوق الموجود في قاعدة السلطانية قابل للفك والتركيب وبالتالي يمكنك غسله بنفس الطريقة. لإزالة الطوق، اقلبي السلطانية وهي فارغة وفكي الطوق في اتجاه عكس عقارب الساعة.

## تركيب واستخدام مانع الرذاذ

- ١ ارفعي رأس الخلاط حتى تستقر في موضع الرفع.
- ٢ ركبتي السلطانية على القاعدة.
- ٣ ادفعي مانع الرذاذ إلى الجانب السفلي من رأس الخلاط  
⑥ حتى يتم تركيبه. يجب أن يكون موضع الجزء المفصلي كما هو مبين.
- ٤ ركبتي الأداة المطلوبة.
- ٥ اخفضي رأس الخلاط.
- أثناء السلطانية يمكن إضافة المكونات مباشرة إلى عن طريق الجزء المفصلي من مانع الرذاذ ⑦.
- لن تحتاجي لإزالة مانع الرذاذ عند تغيير الأدوات.
- ٦ أزيل ي مانع الرذاذ عن طريق رفع رأس الخلاط ودفعه للانزلاق لأسفل.

## ضبط الأداة

### مضرب العجين K، خفاقة البيض، مضرب الخلطات الكريمة وأداة الطي

- يتم ضبط ارتفاع الأدوات على الارتفاع الصحيح لها داخل السلطانية في المصنع لدى تزويد الجهاز بحيث لا تتطلب أي ضبط إضافي. وعلى الرغم من ذلك، إذا لزم ضبط الأداة، ففي هذه الحالة استخدم مفتاح ربط مقاس ١٥ مم: ثم اتبعي التعليمات التالية:

- ١ افصلي الجهاز عن مصدر التيار الكهربائي.
- ٢ ارفعي رأس الخلاط وركبتي خفاقة البيض أو المضرب.
- ٣ اخفضي رأس الخلاط. إذا كانت المسافة تحتاج إلى الضبط، ارفعي رأس الخلاط وأزيل ي الأداة. من المثالي أن تمس الخفاقة، مضرب العجين وأداة الطي بالكاد قاع السلطانية ⑧.

### مضرب الخلطات الكريمة

- في وضع التركيب المثالي، يجب أن يلامس سطح السلطانية كما لو كان يمسح السلطانية برفق أثناء عملية الخلط ⑩.
- ٤ باستخدام مفتاح الربط المزود فكي الصامولة بشكل كاف للسماح بتعديل محور الدوران ⑨ أو ⑭. لخفض الأداة في اتجاه قاع السلطانية، لفي محور دوران في اتجاه عكس عقارب الساعة. لرفع الأداة بعيداً عن قاع السلطانية، لفي محور الدوران في اتجاه عقارب الساعة.
- ٥ أعيدي إحكام ربط الصامولة.

- ٦ ركبتي الأداة في الخلاط واخفضي رأس الخلاط. (تأكد من موضع الأداة بالنسبة لقاغ السلطانية، راجعي النقاط السابقة).
- ٧ كرري الخطوات السابقة حسب الحاجة حتى يتم ضبط الأداة بشكل صحيح. بمجرد الوصول إلى المسافة الصحيحة أحكمي ربط الصامولة.
- ملاحظة: مفتاح الربط المبين في الشكل التوضيحي لأغراض الإيضاح فقط.

### أداة العجن

- تم ضبط هذه الأداة في المصنع ولا تحتاج لأي ضبط.

### مضرب الخلطات الكريمة

- مضرب الخلطات الكريمة مصمم لمزج وخلط المكونات اللينة. لا تستخدم المضرب مع الخلطات الثخينة (الكثيفة) مثل العجين أو المكونات الصلبة، على سبيل المثال، الفواكه التي تحتوي على بذور أو مكونات بها عظم أو قشرة خارجية.

### تركيب الخفاقة المرنة

- تزود الخفاقة المرنة مركبة بالفعل ويجب فكها دائماً للتنظيف ⑮.
- ١ ركبتي الخفاقة المرنة بحذر في الملحق (الأداة) عن طريق إدخال قاعدة الخفاقة المرنة في الشق ⑩ ثم إدخال أحد جانبي الخفاقة في التجويف قبل تعشيق طرف الخفاقة ⑪ برفق في موضعه. كرري نفس الخطوات مع الجانب الآخر ⑫.

### العناية والتنظيف

- دائماً أوقفي التشغيل وافصلي الجهاز عن مصدر التيار الكهربائي قبل التنظيف.

### وحدة الطاقة وغطاء المخرج

- مسح بقطعة قماش رطبة ثم التجفيف.
- يحذر استخدام المواد الكاشطة أو الغمر في الماء.
- ادفعي ما يزيد عن حاجتك من السلك الكهربائي إلى داخل مكان تخزين السلك ⑩ الموجود في الجهاز من الخلف.

### سلطانية من الصلب عديم الصدأ

- غسيل يدوي ثم التجفيف جيداً أو غسيل في غسالة الأطباق.
- يحذر استخدام فرشاة من السلك أو الصوف المعدني أو مواد التبييض عند تنظيف الوعاء المصنوع من الصلب عديم الصدأ.
- استخدم الخل لإزالة الطبقة الجيرية.

## جدول توصيات الاستخدام

الأزمنة المعروضة هي إرشادية فقط وتختلف حسب الوصفة والمكونات المستخدمة

<p>أداة الطي أداة الطي مصممة لطى المكونات الخفيفة داخل الخلطات الثخينة مثل المرنج والموس ومهروس الفواكه مع الكريمة والكعكات الأسفنجية والسوفليه ولطي الدقيق في خلطات الكعكات.</p>		
<p><b>تلميحات ونصائح هام</b></p> <ul style="list-style-type: none"> <li>• لا يجوز استخدامها مع وصفات التحضير مثل العجين ومزج السمن مع السكر أو خلطات الكعكات الجاهزة (الكل في واحد).</li> <li>• عند إضافة الدقيق إلى المزيج، ضعيه على الورق المقاوم للدهون. قومي بطي الجانِب لتكوين فوهة. أضيفي الدقيق تدريجياً إلى المزيج باستخدام وظيفة الطي.</li> <li>• لا تستخدم السرعة العالية حيث يتطلب استخدام سرعة بطيئة لتحسين عملية الطي.</li> <li>• الأداة غير مصممة للاستخدام في خلط المكونات الساخنة، اتركي المكونات لتبرد قبل استخدام الأداة.</li> <li>• للحصول على أفضل النتائج، لا تزيدي في خفق بياض البيض أو القشدة - لن تستطيع أداة الطي الخلط بشكل جيد إذا أصبح الخليط صلباً.</li> <li>• لا تقومي بطي الخلطة لفترة طويلة حيث سيتسرب الهواء إلى الخارج ويصبح الخليط سائلاً. توقفي بمجرد اندماج مكونات الخلطة بشكل مناسب.</li> <li>• أي مكونات عالقة على المضرب أو جوانب السلطانية يجب كشطها بحذر باستخدام ملعقة البلاستيكية وخلطها مع الخليط.</li> </ul>		

		الوصفة/التحضير	
(دقائق)		(الحد الأقصى)	
٤ - ٥	"Max"	البيض ٩	خفاقة البيض
٢ - ٨	الطي	الدقيق ٢٥٠ غرام	أداة الطي
١	"Max"	البيض ٦	خفاقة البيض
١	الطي	٩٠٠ غرام	أداة الطي
٢ - ٣	"Max"	١.٥ كيلوغرام	خفاقة البيض
	الطي		أداة الطي

حجم البيض المستخدم = الحجم المتوسط (بوزن بين ٥٢ إلى ٦٣ غرام)  
الكريمة المخفوقة المستخدمة = كريمة طازجة محتوية الدهون بها ٣٨% على الأقل

جدول توصيات الاستخدام  
الأزمنة المعروضة هي أزمنة إرشادية فقط وتختلف حسب الوصفة والمكونات المستخدمة

أداة العجن لخطات العجين المخمرة				الوصفة/التحضير
تلميحات ونصائح هام				
<ul style="list-style-type: none"> <li>يحذر تجاوز السعات القصوى المحددة - فقد تتسبب في حمل زائد على الجهاز.</li> <li>في حالة سماع صوت الجهاز متوقلاً، فأوقف التشغيل وأزيلي نصف العجين ثم تعاملي مع كل نصف على منفرداً.</li> <li>للحصول على أفضل نتائج لخلط المكونات أضيفي السوائل أولاً في السلطانية.</li> <li>على فترات زمنية أوقف تشغيل الجهاز واكشطي الخليط عن خطاف العجين.</li> </ul> <p><b>الخميرة</b></p> <ul style="list-style-type: none"> <li>الخميرة الجافة (النوع الذي يحتاج إعادة تشكيل): صببي الماء الدافئ في الوعاء. ثم أضيفي الخميرة والسكر وتركها تهدأ لمدة ١٠ دقائق حتى تتكون رغوة.</li> <li>الخميرة الطازجة: فتتها داخل الدقيق.</li> <li>أنواع الخميرة الأخرى: اتبعي تعليمات المصنّع.</li> </ul>				
⌚ (دقائق)			الوصفة/التحضير	
٦٠ ثانية	"Min"	١.٣٥ كيلوغرام	وزن الدقيق	عجين الخبز (عجينة الخميرة السمكية)
٣ - ٤	١			
٦٠ ثانية	إعادة العجن على السرعة ١	٢.١٧ كيلوغرام	الوزن الإجمالي	عجينة الخميرة الخفيفة (غنية بالزبد والبيض)
٦٠ ثانية	"Min"	١.٢ كيلوغرام	وزن الدقيق	
٣ - ٤	١	٢.٥ كيلوغرام	الوزن الإجمالي	
٦٠ ثانية	إعادة العجن على السرعة ١			

حجم البيض المستخدم = الحجم المتوسط (بوزن بين ٥٣ إلى ٦٣ غرام)  
الكريمة المخفوقة المستخدمة = كريمة طازجة محتوى الدهون بها ٣٨% على الأقل

## جدول توصيات الاستخدام

الزمن المعروضة هي أزمنة إرشادية فقط وتختلف حسب الوصفة والمكونات المستخدمة

خفاقة البيض للبيض، والقشدة، وخططات الكيك، والكيك الاسفنجي الخالي من الدهون، والمارينج، والتشيز كيك، والموس، والسوفليه			
هام • لتجنب تطاير رذاذ عن المكونات، ارفعي السرعة تدريجياً. • لا تستخدم خفاقة البيض مع الخلطات السمكية (مثل تحضير الكيك بوضع كل المكونات في وعاء واحد وخط السمن مع السكر) فقد يتسبب ذلك في تلفها. • يمكن الحصول على أفضل النتائج عندما تكون درجة حرارة البيض هي نفس درجة حرارة الغرفة. قبل خفق بياض البيض، تأكدي من عدم وجود زيت أو صفار بيض على مضرب البيض أو السلطانية.			
⌚ (دقائق)		 (الحد الأقصى)	الوصفة/التحضير
٣	"Min" ← "Max"	١٢ (٤٢٠ غرام)	بياض البيض
٣ - ٢		١ لتر	القشدة
١٠ دقائق	"Min"	الدقيق ٢٥٠ غرام الحليب ٥٠٠ غرام البيض ٢٠٠ غرام	خلطة البانكيك • أضيفي الدقيق إلى السلطانية أولاً متبوعاً بالمكونات المبتلة. • اخلطي على السرعة «Min» لدمج المكونات.
٤٥ - ٦٠ دقائق	"Max"		
١ - ١½	"Max"	صفار بيض ٢ الخردل ١٠ غرام زيت نباتي ٢٠٠ مل	المايونيز • للحصول على أفضل النتائج، اكشطتي جوانب السلطانية بعد إضافة الزيت ثم شغلي الجهاز لمدة ١٠ ثواني إضافية على السرعة العالية.

حجم البيض المستخدم = الحجم المتوسط (بوزن بين ٥٣ إلى ٦٣ غرام)  
الكريمة المخفوقة المستخدمة = كريمة طازجة محتوى الدهون بها ٣٨% على الأقل



جدول توصيات الاستخدام  
الأزمنة المعروضة هي أزمنة إرشادية فقط وتختلف حسب الوصفة والمكونات المستخدمة

الوصفة/التحضير		الحد الأقصى		الوصفة/التحضير
<p><b>مضرب العجين K</b> لصنع الكعك والبسكويت والمعجنات والآيس كريم والحشوات والإكلير والبطاطا المهروسة.</p>				
<p><b>تلميحات ونصائح</b></p> <ul style="list-style-type: none"> <li>لتجنب تطاير رذاذ عن المكونات، ارفعي السرعة تدريجياً.</li> <li>لدمج المكونات بالكامل، أوقفي عملية الخلط واكشطي جوانب السلطانية باستخدام ملعقة التقلب بانتظام.</li> <li>استخدمي مكونات باردة لتحضير الحلويات ما لم تذكر الوصفة خلاف ذلك.</li> </ul>				
				
(دقائق)		(الحد الأقصى)		
٣ - ٢	← "Min" ٢	٦٨٠ غرام	وزن الدقيق	المعجنات والبسكويت - خلط السمن مع الدقيق
١	"Max" ← "Min"	٢ كيلوغرام	الوزن الإجمالي	خلطات الكعكات الجاهزة
<p><b>مضرب الخلطات الكريمة</b> لخلط المكونات الخفيفة وتحضير كريمة</p>				
<p><b>تلميحات ونصائح</b></p> <ul style="list-style-type: none"> <li>لتجنب تطاير رذاذ عن المكونات، ارفعي السرعة تدريجياً.</li> <li>استخدمي الزيت أو السمن في درجة حرارة الغرفة عند خلطه مع السكر لتحضير خلطات الكيك أو قومي بتلينه أولاً.</li> <li>لا تستخدميه مع وصفات ثقيلة مثل العجين أو المكونات الصلبة، مثل المكونات التي تحتوي على نوى أو قشور الفاكهة.</li> </ul>				
				
(دقائق)		(الحد الأقصى)		
٢	"Max" ← "Min"	٢.٦٨ كيلوغرام		مزج الزيت/السمن مع السكر
٤ - ١	"Max" ← "Min"			خفق البيض داخل خلطات الكعكات
٣٠ - ٦٠ ثيانات	الطي ← ١			طيّ الدقيق والفاكهة وما شابه

حجم البيض المستخدم = الحجم المتوسط (بوزن بين ٥٣ إلى ٦٣ غرام)

## هام

- في حالة رفع رأس الخلاط أثناء التشغيل، يتوقف الجهاز فوراً. لإعادة تشغيل الخلاط، اخفضي رأس الخلاط، أديري مفتاح تحكم السرعة إلى موضع إيقاف التشغيل «O»، انتظري بضعة ثوان ثم أعيدي تحديد السرعة المطلوبة. يتم معاودة تشغيل الخلاط مرة أخرى.
- في حالة رفع رأس الخلاط في أي وقت ينطفئ «ضوء مؤشر استعداد الخلاط». عند خفض رأس الخلاط يضيء المؤشر مرة أخرى إشارة على استعداد الخلاط للاستخدام.

## تلميحات

- يمكن استخدام وظيفة الطي لطي المكونات الخفيفة داخل خلطات ثخينة، مثل المرغ والموس ومهروس الفواكه مع الكريمة والكعكات الأسفنجية والسوفليه ولطي الدقيق ببطء في خلطات الكعكات. سيعمل الخلاط على سرعة منخفضة ثابتة.
- جهاز المطبخ المتكامل مجهز بخاصية البدء الهادئ لتقليل تناثر المكونات. بنفس الكيفية في حالة تشغيل الجهاز لخلط خلطات ذات قوام كثيف في السلطانية ومثال على ذلك عجين الخبز، فقد تلاحظين استغراق الخلاط لبضعة ثوان حتى الوصول إلى السرعة المطلوبة.

## مستشعر التحكم في السرعة الإلكتروني

الخلاط مجهز بمستشعر إلكتروني للتحكم في السرعة حيث تم تصميمه للحفاظ على سرعة الخلاط تحت مختلف ظروف التشغيل مثل عجن عجين الخبز أو عند إضافة البيض لخلطات الكيك. لذلك قد تلاحظين بعض التغيرات في السرعة أثناء التشغيل حيث يقوم المستشعر بضبط سرعة الخلاط المحددة مع الحمل - وهذا أمر طبيعي.

## قبل التوصيل بمصدر التيار الكهربائي

- تأكد من تطابق مواصفات التيار الكهربائي لديك مع المواصفات الموضحة على الجانب السفلي للجهاز.
- هام - المقبس والمنصهر الكهربائي
- اللون الأسلاك الموجودة في السلك الكهربائي هي كالتالي:  
أخضر بخط أصفر = الأرضي  
أزرق = متعادل  
بني = كهرباء حية
- إذا كان القابس المزود في جهازك به مصهر مُركب وتعطل هذا المصهر، فيجب استبداله بمصهر مماثل له بنفس تقدير الأمبيرية.
- في حالة الحاجة إلى استبدال المقبس أو السلك الكهربائي، فيجب استبدالهما وتركيبهما من قبل مركز صيانة متخصص معتمد لدى Kenwood.
- تحذير: يجب توصيل هذا الجهاز بطرف أرضي.  
ملاحظة:
- بالنسبة إلى المقابس غير القابلة لإعادة تركيب الأسلاك الجديدة بها،، يجب إعادة تثبيت غطاء المنصهر الكهربائي عند استبداله. في حالة فقد غطاء المنصهر الكهربائي، يجب عدم استخدام المقبس إلا أن يتم الحصول على بديل. يتم تحديد غطاء المنصهر الكهربائي الصحيح حسب اللون ويمكن الحصول على بديل من مركز صيانة متخصص معتمد لدى Kenwood (يرجى مراجعة قسم الخدمة).
- إذا تم قطع مقبس غير قابل لإعادة تركيب الأسلاك الجديدة به، فيجب تدميره على الفور. إذا تم إدخال قابس غير قابل لإعادة التمديد عن غير قصد في مخرج المقبس، فقد قد ينشأ خطر حدوث صدمة كهربائية.
- يتوافق هذا الجهاز مع تنظييمات الاتحاد الأوروبي 2004/1935 المتعلقة بالمواد والأجسام المتلامسة مع الأطعمة.

## قبل استخدام الجهاز للمرة الأولى

- اغسلي الأجزاء المسموح بغسلها: راجعي قسم «العناية والتنظيف».

## الدليل

### استخدام الخلاط

- ١ ارفعي ذراع تحرير الرأس ⑨ الموجود على الجانب الخلفي لجهاز المطبخ المتكامل ① وفي نفس الوقت ارفعي الرأس ① حتى تستقر في موضع الرفع ②.
- ٢ أدخلتي الأداة المطلوب استخدامها في المقبس. ثم ادفعيها لأعلى ③ ولقيها ④ لقفلها في موضع التعشيق.
- ٣ ركبي السلطانية على القاعدة. ضعي المقبض مباشرة فوق رمز الفك ①، ثم لفّي السلطانية بلطف في اتجاه عقارب الساعة حتى يصبح المقبض فوق رمز القفل ① مباشرة. لا تستخدمي قوة مفرطة ولا تفرطي في الربط ⑤.
- ٤ ارفعي ذراع تحرير الرأس ⑨ الموجود على الجانب الخلفي لجهاز المطبخ المتكامل وفي نفس الوقت اخفضي رأس الخلاط ①.
- ٥ وصلي الجهاز بمصدر التيار الكهربائي عندئذ يضيء «ضوء مؤشر استعداد الخلاط».
- ٦ ابدئي التشغيل عن طريق إدارة مفتاح تحكم السرعة إلى موضع الإعداد المطلوب.
- ٨ أزيلتي الأداة عن طريق لفها في اتجاه عقارب الساعة لتحريرها عن مقبس إلحاق الأداة ثم أزيلها.

- ① رأس الخلاط
- ② منفذ الملحق
- ③ غطاء المنفذ
- ④ تجويف الأداة
- ⑤ السلطانية
- a سلطانية من الصلب عديم الصدأ (في حالة تزويدها داخل صندوق البيع)
- b سلطانية زجاجية (في حالة تزويدها داخل صندوق البيع)
- ⑥ مفتاح تحكم السرعة تشغيل/إيقاف
- ⑦ ضوء مؤشر استعداد الخلاط
- ⑧ جسم الخلاط
- ⑨ ذراع تحرير رأس الخلاط
- ⑩ مكان تخزين السلك
- ⑪ مضرب العجين K
- ⑫ خفاقة البيض
- ⑬ أداة العجن
- ⑭ مضرب الخلطات الكريمة (في حالة التزويد داخل صندوق البيع)
- ⑮ أداة الطي (في حالة التزويد داخل صندوق البيع)
- ⑯ ملعقة التقليل
- ⑰ مانع الرذاذ

- لا يجوز استخدام هذا الجهاز من قبل الأطفال. احتفظي بالجهاز والسلك الكهربائي بعيداً عن متناول الأطفال.
- يجب ملاحظة الأطفال للتأكد من عدم عبثهم بالجهاز.
- قد يؤدي سوء استخدام الجهاز إلى حدوث إصابات.
- يُستخدم سلك إمداد الطاقة القصير لتقليل المخاطر الناتجة عن التشابك أو التعثر. ويمكن استخدام أسلاك التمديد إذا تم توخي الحذر في استخدامها. إذا تم استخدام سلك تمديد: (١) يجب أن يكون التصنيف الكهربائي المحدد لسلك التمديد على الأقل بنفس مستوى التصنيف الكهربائي للجهاز؛ و (٢) يجب ترتيب السلك بحيث لا يبتني فوق المنضدة أو سطح الطاولة حيث يمكن للأطفال سحبه أو التعثر به دون قصد. (٣) يجب أن يكون سلك التمديد سلكاً مؤرضاً من ٣ أسلاك. تم إدراج التصنيف الكهربائي للجهاز في الجزء السفلي من الوحدة.
- يمكن استخدام الأجهزة من قبل أشخاص ذوي قدرات جسدية أو حسية أو عقلية منخفضة وممن هم دون خبرة أو معرفة باستخدام الأجهزة في حالة منحهم التعليمات الخاصة بالاستخدام أو الإشراف عليهم بحيث يمكنهم استخدامه بطريقة آمنة مع إدراك المخاطر التي تنطوي على استخدام الجهاز.
- استخدم الجهاز في الاستخدام المنزلي فقط. لا تتحمل Kenwood أية مسؤولية في حالة تعرض الجهاز للاستخدام غير الصحيح أو عدم الالتزام بهذه التعليمات.

### السلطانية الزجاجية

- قبل الاستخدام، تأكدي من ضبط ارتفاع أدوات السلطانية على نحو صحيح، بحيث لا تلامس قاع السلطانية – راجعي قسم "ضبط الأداة".
- لا تدعي السلطانية تلامس مصادر الحرارة العالية مثل الفرن أو سطح الموقد.
- لا تضربي الأدوات على جانب السلطانية لإزالة المكونات.
- السلطانية الزجاجية صالحة للاستخدام داخل أفران الميكروويف.

### تعليمات خاصة للعناية

الزجاج مادة طبيعية، أثناء تصنيع هذه السلطانية تم اتخاذ كل العناية لضمان المظهر المثالي، ولكن بعض العيوب الصغيرة قد تكون مرئية، وهذا أمر طبيعي ومتوقع ولن يؤثر على أداء السلطانية.

## السلامة

- اقرئي التعليمات التالية واحتفظي بها في المتناول للاستخدامات المستقبلية المرجعية.
- أزيلتي مكونات التغليف وأية ملصقات.
- لأسباب متعلقة بالسلامة ولتجنب حدوث أية مخاطر، في حالة تلف السلك الكهربائي أو القابس، يجب استبداله بواسطة Kenwood أو مركز خدمة معتمد من قبل Kenwood.
- أوقفني التشغيل وافصلي الجهاز عن مصدر التيار الكهربائي قبل تركيب أو إزالة الأدوات/ الملحقات بعد الاستخدام وقبل التنظيف.
- أبعدني أصابعك عن الأجزاء المتحركة والملحقات التي تم تركيبها.
- لا تتركّي الجهاز مهملاً.
- لا تستخدمني الجهاز في حالة تلفه. في مثل هذه الحالة، يجب فحص الجهاز أو إصلاحه: راجعي قسم "الصيانة والعناية بالعملاء".
- يحذر ترك السلك الكهربائي متديلاً في حالة وجود طفل فقد ينتزعه.
- يحذر تشغيل جهاز المطبخ المتكامل عندما يكون الرأس مرفوعاً.
- يحذر تعرض وحدة الطاقة، السلك الكهربائي أو قابس التوصيل للماء.
- يحذر استخدام ملحق غير معتمد أو كلا المنفذين في نفس الوقت
- يحظر تجاوز الكميات والسرعات القصوى الواردة في مخطط الاستخدام الموصى به.
- عند استخدام ملحق ما، يجب قراءة تعليمات الأمان الواردة معه.
- توخي الحذر عند إزالة أدوات السلطانية بعد فترة استخدام مطولة حيث تكون درجة حرارتها مرتفعة.
- توخي الحذر عند حمل هذا الجهاز فهو ثقيل. تأكدي من تثبيت رأس الخلاط والوعاء والأدوات والمنفذ والسلك الكهربائي قبل حمل الجهاز.
- عند تحريك الجهاز، امسكيه دائماً من القاعدة ورأس الخلاط. لا ترفعي الجهاز أو تحمليه عن طريق مقبض السلطانية
- لا تحاولي تحريك أو رفع رأس الخلاط أثناء تركيب أي من الملحقات حيث يصبح جهاز المطبخ المتكامل غير مستقر.
- لا تشغلي جهازك بالقرب من الحافة أو تعلقيه على سطح العمل أو تستخدمني القوة عند تركيب الملحق، لأن هذا قد يتسبب في عدم استقرار الوحدة وانقلابها، مما قد يؤدي إلى حدوث إصابة.



**Kenwood Ltd**

New Lane  
Havant  
Hampshire  
PO9 2NH

[kenwoodworld.com](http://kenwoodworld.com)

© Copyright 2021 Kenwood Limited. All rights reserved



132238/5