

Mounting Kits OMK4-3 User manual

For ProLite TF4339MSC only



CHECKING THE CONTENTS OF THE PACKAGE

The following parts are included in the package and make sure you have all of them. If anything is missing or damaged, please contact your local iiyama dealer or regional iiyama office.

Mounting Kits	Monitor	L-Bracket (Q'ty)	M6 Screw (L=6mm)	User Manual (this document)
OMK4-3	ProLite TF4339MSC	OPT 200 (2pcs)	24pcs	1pc
		OPT 400 (2pcs)		

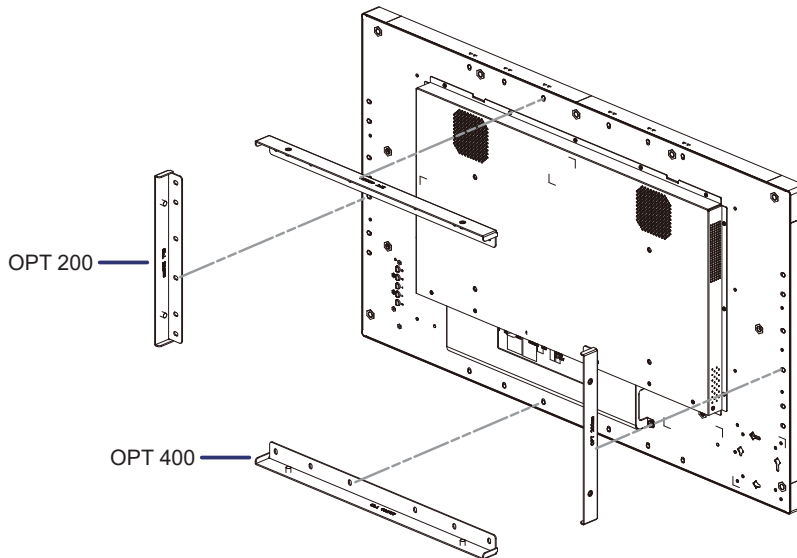
SPECIAL NOTES

Specified L-Brackets and M6 Screws are necessary to mount an open frame monitor.

- CAUTION**
- The L-Brackets are designed to be mounted to specific wall types and hardware, in accordance with the user manual supplied with the Mounting Kits.
 - Using L-brackets and screws other than those specified in the user manual may damage the monitor.

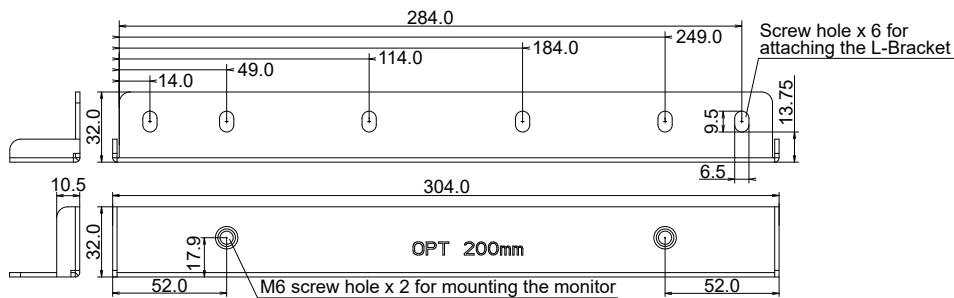
ATTACHING THE L-BRACKETS

Attach the L-Brackets to the monitor with the 24pcs of M6 Screw as shown below.



L-BRACKET DIMENSIONS (mm)

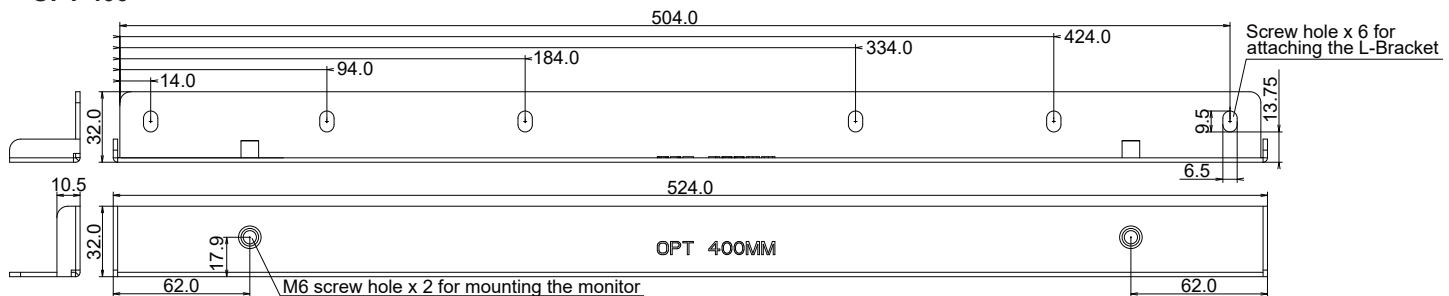
■ OPT 200



NOTE

- You will need a screwdriver to attach the L-Bracket.
- L-Brackets and M6 Screws are necessary to mount an open frame monitor. For details regarding temperature and humidity operating conditions of the open frame monitor, see the User Manual on iiyama website. <http://www.iiyama.com>.

■ OPT 400



M099A11