

## eco PDU PE Series PE1108/PE1208/PE3108/ PE3208/PE6108/PE6208/PE8108/PE8208 Power Distribution Unit Quick Start Guide

© Copyright 2012 ATEN® International Co., Ltd. www.aten.com  
Altusen and the Altusen logo are trademarks of ATEN International Co., Ltd.  
All rights reserved. All other trademarks are the property of their respective owners.  
This product is RoHS compliant PAPE-1215-900G Printing Date: 04/2012

**Online Registration**  
International:  
• http://support.aten.com  
North America:  
• http://www.aten-usa.com/product\_registration

**Technical Phone Support**  
International:  
• 886-2-8692-6959  
China:  
• 86-10-5255-0110  
Japan:  
• 81-3-5615-5811  
Korea:  
• 82-2-467-6789  
North America:  
• 1-888-999-ATEN Ext: 4988  
United Kingdom:  
• 44-6-4481-58923



All information, documentation, and specifications contained in this media are subject to change without prior notification by the manufacturer. Please visit our website to find the most up to date version.

## 1

### Package Contents

- 1 PE1108 / PE1208 / PE3108 / PE3208 / PE6108 / PE6208 / PE8108 / PE8208 Power Distribution Unit
- 1 Power Cord
- 1 Rack Mount Kit
- 1 Software CD
- 1 User Instructions

## 2

### Requirements

- Browsers accessing the eco PDU unit must support SSL 128 bit encryption.
- For cold booting of attached computers, the computer's BIOS must support Wake on LAN or System after AC Back.
- For Safe Shutdown:
  - The computer must be running Windows (Windows 2000 or higher) or Linux.
  - The Safe Shutdown program (available by download from our website or on the software CD included), must be installed and running on the computer.

## 3-1

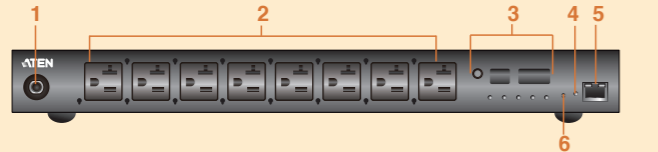
### Hardware Review

#### Front View

PE1108A / PE3108A



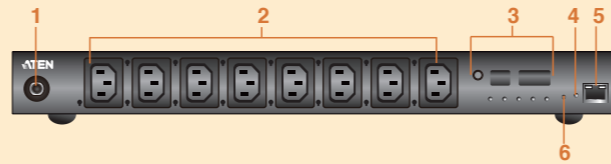
PE1208A / PE3208A



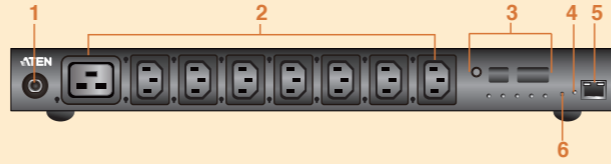
## 3-2

### Hardware Review (Front View)

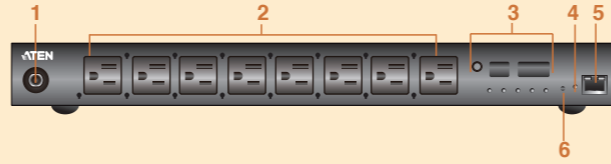
PE1108B / PE1108G / PE3108B / PE3108G



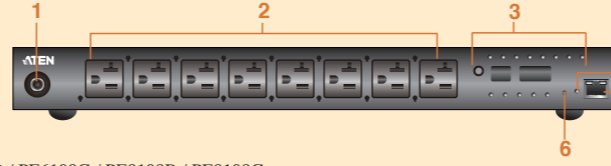
PE1208B / PE1208G / PE3208B / PE3208G



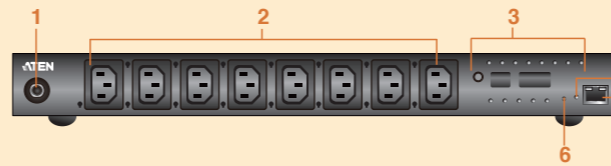
PE6108A / PE8108A



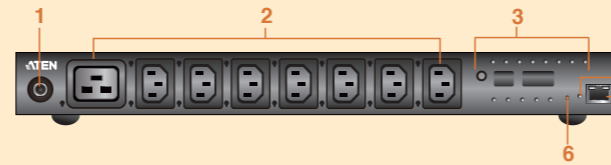
PE6208A / PE8208A



PE6108B / PE6108G / PE8108B / PE8108G



PE6208B / PE6208G / PE8208B / PE8208G

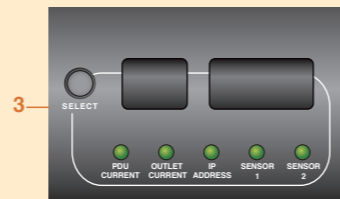


#### Rear View

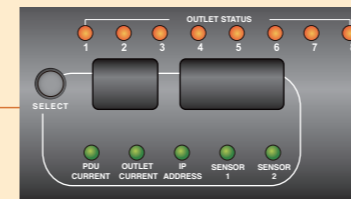


#### Readout Section

PE1108 / PE1208 / PE3108 / PE3208



PE6108 / PE6208 / PE8108 / PE8208



1. Circuit Breaker Pushbutton
2. Power Sockets
3. Readout Section
4. Power LED
5. LAN Port and LEDs

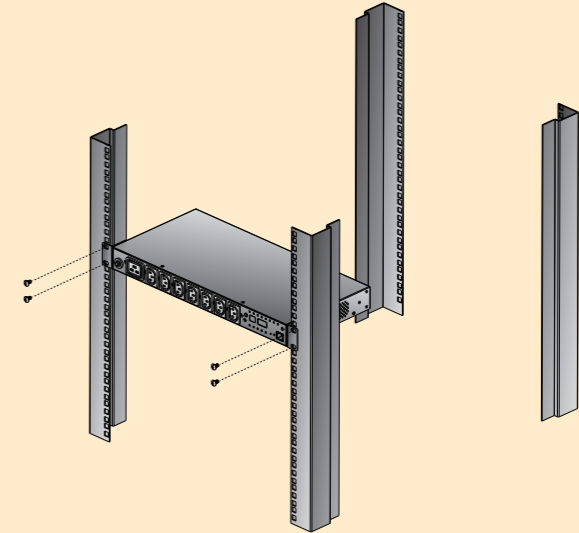
6. Reset Switch
7. Grounding Terminal
8. Sensor Ports
9. Power Socket

## 4

### Hardware Installation

#### Rack Mounting

The eco PDU can be mounted in a 19" (1U) rack. To rack mount the device, use the rack mounting brackets that came with your device. The brackets can be screwed to the front or rear sides of the device, and then the unit can slide into the front of the rack, as shown in the diagram below:



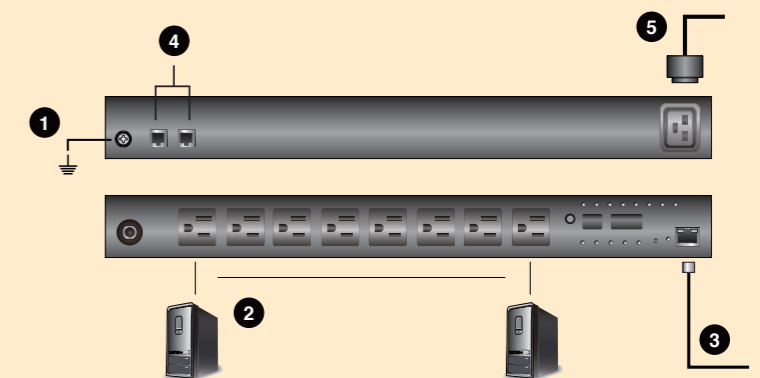
#### Installation

To set up your eco PDU installation, refer to the installation diagram (the numbers in the diagram correspond to the numbered steps), and do the following:

1. Use a grounding wire to ground the eco PDU by connecting one end of the wire to its grounding terminal, and the other end of the wire to a suitable grounded object.  
**Note:** Do not omit this step. Proper grounding helps to prevent damage to the unit from surges or static electricity.
2. For each device you want to connect, use its power cable to connect from the device's AC socket to any available outlet on the eco PDU.
3. Plug the cable that connects the eco PDU to the LAN into the eco PDU's LAN port.
4. If you are using sensors in your eco PDU installation, connect them to the sensor ports on the unit's front panel.  
**Note:** Sensors are optional.
5. Connect the eco PDU's power cord to an AC power source.  
**Note:** We strongly advise that you do not plug the eco PDU into a multi socket extension cord, since it may not receive enough amperage to operate correctly.

Once you have finished these installation steps, you can turn on the eco PDU and the connected devices.

**Note:** We strongly recommend using cable ties and cable bars to safely and securely route the cables attached to the front of the unit.



# 5

## Operation

### Operation Methods

ALTUSEN eco PDU models provide three methods to access and manage your installation: Browser, IP Installer, eco Sensors, and SNMP.

### Browser

The eco PDU can be accessed and controlled via any supported Internet browser from any platform.

### eco Sensors

The eco PDU supports ALTUSEN eco Sensors (eco PDU Manager Software). ALTUSEN eco Sensors provides you with an easy method for managing multiple devices, offering an intuitive and user-friendly Graphical User Interface that allows you to configure a PDU device and monitor power status of the equipment connected to it. ALTUSEN eco Sensors can be obtained from the Download area of our web site.

### SNMP

The eco PDU supports any 3rd party V3 SNMP Manager Software. SNMP Management Information Database (MIB) files for the eco PDU device can be found on the software CD provided with the eco PDU package.

### First Time Setup

Once the eco PDU installation has been cabled up, the Administrator needs to configure the network parameters, change the default Administrator login settings, and add users. The easiest way to accomplish this is to log in over the Net with a browser.

### Browser Login

The eco PDU can be accessed via a supported Internet browser from any platform.

**Note:** Browsers must support SSL 128 bit encryption.

To access the eco PDU do the following:

1. Open your browser and specify the IP address of the eco PDU you want to access in the browser's URL location bar. If you are the administrator and are logging in for first time, use the default IP address of 192.168.0.60. **Note:** You must be on the same network segment as the eco PDU to use the default IP address.
2. If a Security Alert dialog box appears, accept the certificate – it can be trusted. The Login page appears:
3. Provide a valid Username and Password (set by the eco PDU administrator), then Click Login to bring up the browser Main Page.

If you are the administrator and are logging in for the first time, use the default Username: **administrator**; and the default Password: **password**.

**Note:** For security purpose we recommend changing them to something unique.

### Network Configuration

To set up the network, do the following:

1. Click the Device Management tab.
2. Select **Device Configuration** on the menu bar. A screen similar to the one below appears:

### Changing the Administrator Login

To change the default Administrator username and password, do the following:

1. Click the **User Management** tab.
2. In the **Administrator Information** section, reset the name and password fields to something unique, then click **Save** (at the bottom of the page.)

# 6-1

## Specification

Function		PE1108A / PE3108A	PE1208A / PE3208A	PE1108B / PE3108B	PE1208B / PE3208B	PE1108G / PE3108G	PE1208G / PE3208G	
Power Outlets	Direct	8						
Connectors	Power Inlet	1 x IEC 320 C20						
	Power Outlets	NEMA	8 x NEMA 5-15R	8 x NEMA 5-20R	NA			
		IEC	N/A		8 x IEC 320 C13	7 x IEC 320 C13 (Ports 2-8); 1 x C19 (Port 1)	8 x IEC 320 C13	7 x IEC 320 C13 (Ports 2-8); 1 x C19 (Port 1)
	Sensor	2 x RJ-11						
LAN	1 x RJ-45 (Female)							
LEDs	Outlet Status	N/A						
	Selection	1-digit 7-segment (Orange)						
	PDU Current / Outlet Current / IP Address	3 (Green)						
	Current / IP Address	3-digit 7-segment (Orange)						
	Power	1 (Blue)						
	LAN	10/100M	1 (Orange / Green)					
		Link	1 (Green)					
Sensor	2 (Green)							
Switches	Reset	1 x Semi-recessed Pushbutton						
	Power	1 x Non-fuse Breaker						
I/P Rating		100-120V~; 50/60Hz; 12A	100-120V~; 50/60Hz; 16A	100-240V~; 50/60Hz; 12A	100-240V~; 50/60Hz; 16A	100-240V~; 50/60Hz; 10A	100-240V~; 50/60Hz; 16A	
Load Capacity		1440W	1920W	2880W	3840W	2400W	3840W	
O/P Rating	Per Port	100-120V~; 50/60Hz; 12A	100-120V~; 50/60Hz; 16A	100-240V~; 50/60Hz; 12A	Port2-8: 100-240V~; 50/60Hz; 12A Port1: 100-240V~; 50/60Hz; 16A	100-240V; 50/60Hz; 10A	Port2-8: 100-240V; 50/60Hz; 10A Port1: 100-240V~; 50/60Hz; 16A	
	Total	100-120V~; 50/60Hz; 12A	100-120V~; 50/60Hz; 16A	100-240V~; 50/60Hz; 12A	100-240V~; 50/60Hz; 16A	100-240V~; 50/60Hz; 10A	100-240V~; 50/60Hz; 16A	
Environment	Operating Temperature	0-50°C						
	Storage Temperature	-20-60°C						
	Humidity	0-80% RH Non-condensing						
Physical Properties	Housing	Metal						
	Weight	2.63Kg / 2.68Kg	2.64Kg / 2.69Kg	2.70 kg / 2.73 kg	2.71 kg / 2.74 kg	2.70 kg / 2.72 kg	2.71 kg / 2.74 kg	
	Dimensions (L x W x H)	43.24 x 21.93 x 4.40 cm						

# 6-2

## Specification

Function		PE6108A / PE8108A	PE6208A / PE8208A	PE6108B / PE8108B	PE6208B / PE8208B	PE6108G / PE8108G	PE6208G / PE8208G	
Power Outlets	Direct	8						
Connectors	Power Inlet	1 x IEC 320 C20						
	Power Outlets	NEMA	8 x NEMA 5-15R	8 x NEMA 5-20R	N/A			
		IEC	N/A		8 x IEC 320 C13	7 x IEC 320 C13 (Ports 2-8); 1 x C19 (Port 1)	8 x IEC 320 C13	7 x IEC 320 C13 (Ports 2-8); 1 x C19 (Port 1)
	Sensor	2 x RJ-11						
LAN	1 x RJ-45 (Female)							
LEDs	Outlet Status	8 (Orange)						
	Selection	1-digit 7-segment (Orange)						
	PDU Current / Outlet Current / IP Address	3 (Green)						
	Current / IP Address	3-digit 7-segment (Orange)						
	Power	1 (Blue)						
	LAN	10/100M	1 (Orange / Green)					
		Link	1 (Green)					
Sensor	2 (Green)							
Switches	Reset	1 x Semi-recessed Pushbutton						
	Power	1 x Non-fuse Breaker						
I/P Rating		100-120V~; 50/60Hz; 12A	100-120V~; 50/60Hz; 16A	100-240V~; 50/60Hz; 12A	100-240V~; 50/60Hz; 16A	100-240V~; 50/60Hz; 10A	100-240V~; 50/60Hz; 16A	
Load Capacity		1440W	1920W	2880W	3840W	2400W	3840W	
O/P Rating	Per Port	100-120V~; 50/60Hz; 12A	100-120V~; 50/60Hz; 16A	100-240V~; 50/60Hz; 12A	Port2-8: 100-240V~; 50/60Hz; 12A Port1: 100-240V~; 50/60Hz; 16A	100-240V~; 50/60Hz; 10A	Port2-8: 100-240V~; 50/60Hz; 10A Port1: 100-240V~; 50/60Hz; 16A	
	Total	100-120V~; 50/60Hz; 12A	100-120V~; 50/60Hz; 16A	100-240V~; 50/60Hz; 12A	100-240V~; 50/60Hz; 16A	100-240V~; 50/60Hz; 10A	100-240V~; 50/60Hz; 16A	
Environment	Operating Temperature	0-50°C						
	Storage Temperature	-20-60°C						
	Humidity	0-80% RH Non-condensing						
Physical Properties	Housing	Metal						
	Weight	2.77 kg / 2.80 kg	2.77 kg / 2.82 kg	2.82 kg / 2.87 kg	2.79 kg / 2.87 kg	2.82 kg / 2.87 kg	2.79 kg / 2.87 kg	
	Dimensions (L x W x H)	43.24 x 21.93 x 4.40 cm						