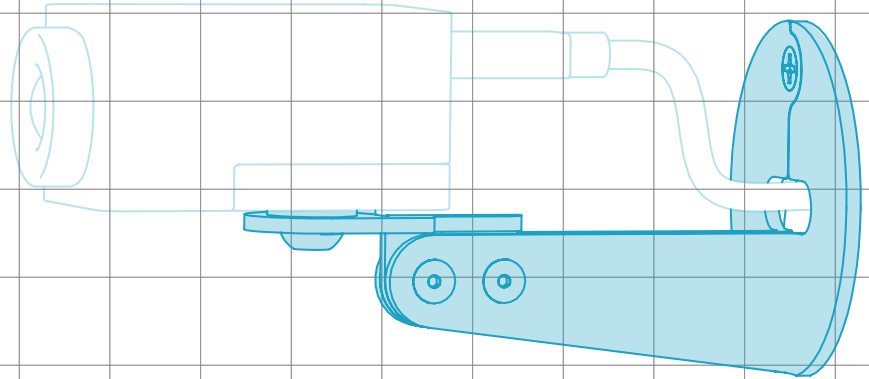


# H598 - Eyeline Camera Mount

for Dual Displays

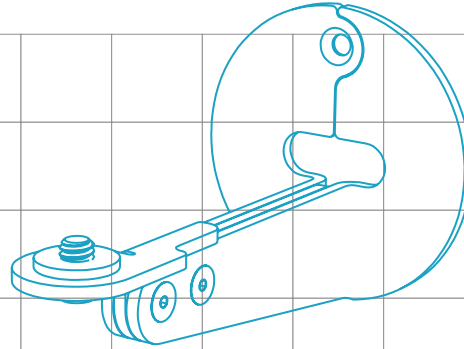


Designed & made in Arizona  
Patented

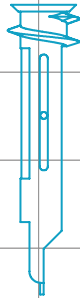
## IN THE BOX

- A** 1 x Eycline Camera Mount
- B** 1 x Drywall Anchor
- C** 1 x Drywall-mounting Screw
- D** 1 x Heckler AV Cart-mounting Screw
- E** 1 x Camera-mounting Hex Key
- F** 1 x Assembly Hex Key
- G** 1 x Cable Tie

**A**



**B**



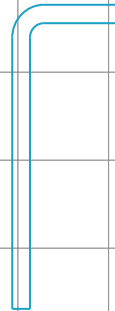
**C**



**D**



**E**



**F**



**G**



For managing  
multiple cables

## TOOLS NEEDED



Tape Measure



Pen



Power Drill



Phillips Bit

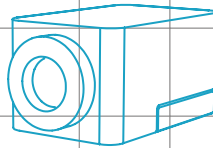


3/4" Drill Bit

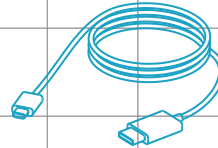


Level

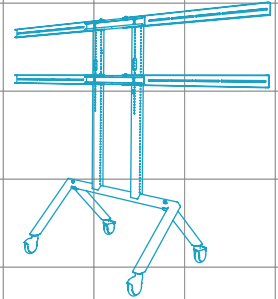
## COMPONENTS NEEDED (Not Included)



Camera



Camera Power and  
Data Cables



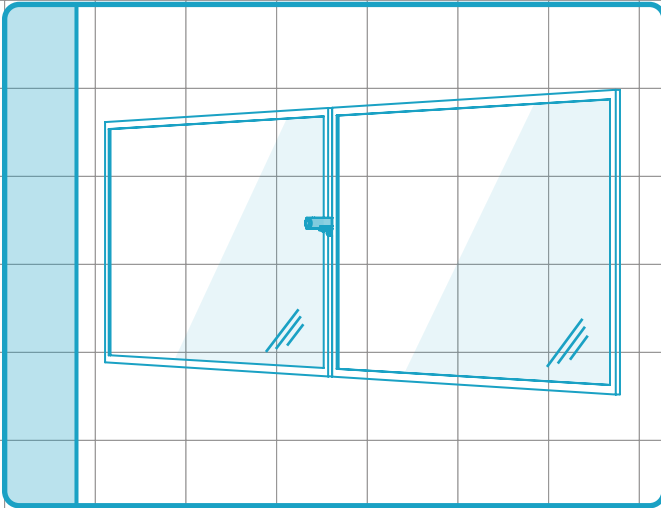
Heckler AV Cart with  
Dual Display Kit

If you have any questions, please contact  
[service@hecklerdesign.com](mailto:service@hecklerdesign.com).

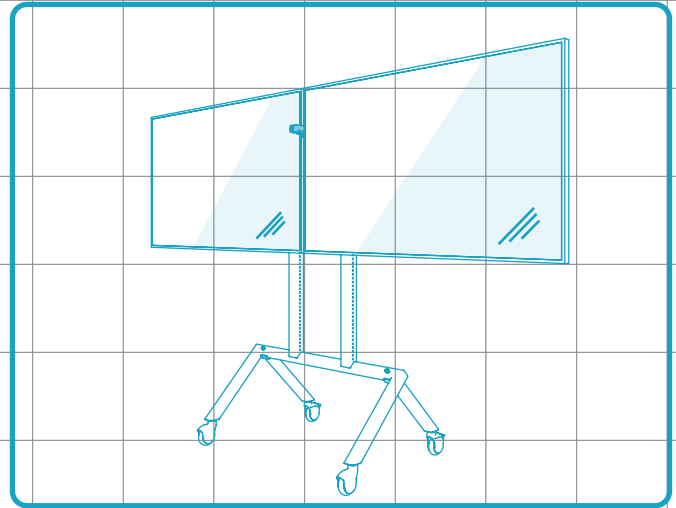
## STEP 1

Mounting options.

### A Wall mount



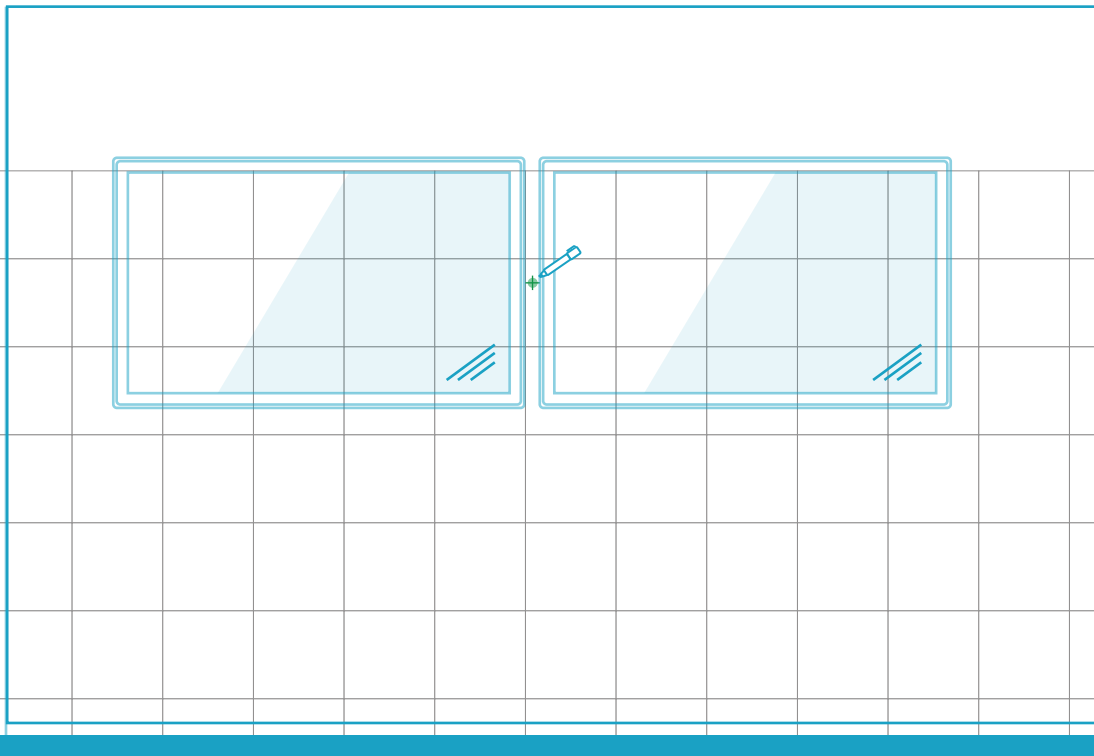
### B Heckler AV Cart mount



Skip to Page 11

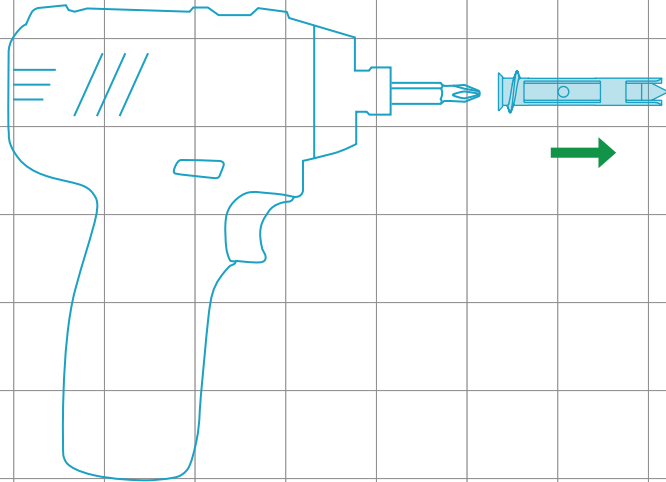
## STEP 2

Mark mounting location.



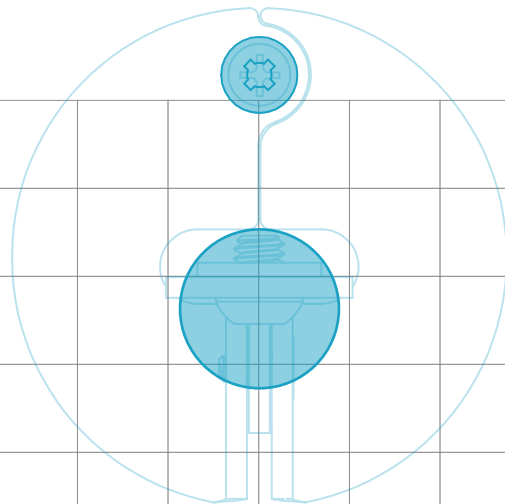
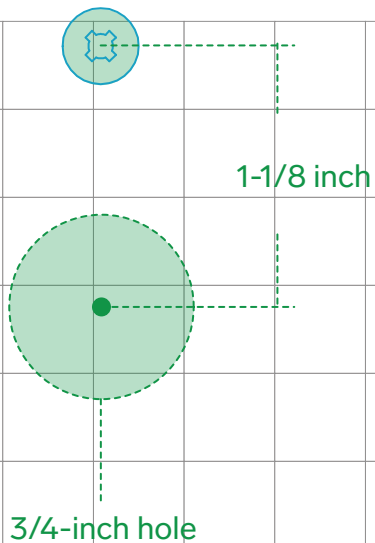
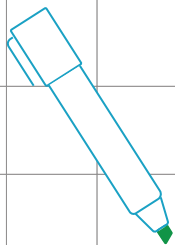
## STEP 3

Install drywall anchor.



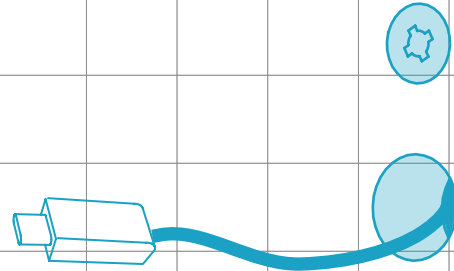
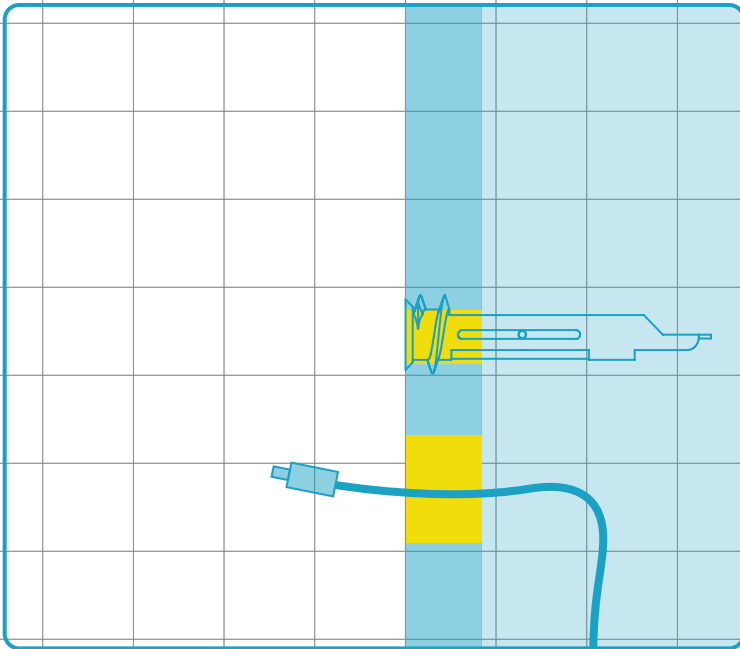
## STEP 4

Drill cable pass-thru hole (optional).



## STEP 5

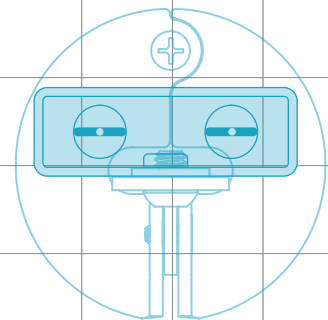
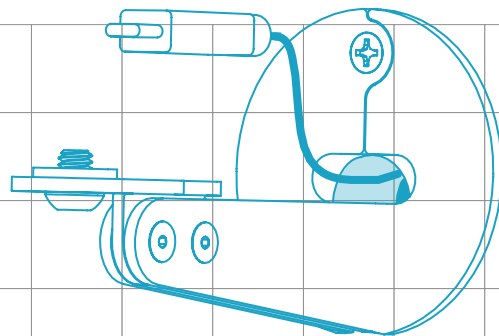
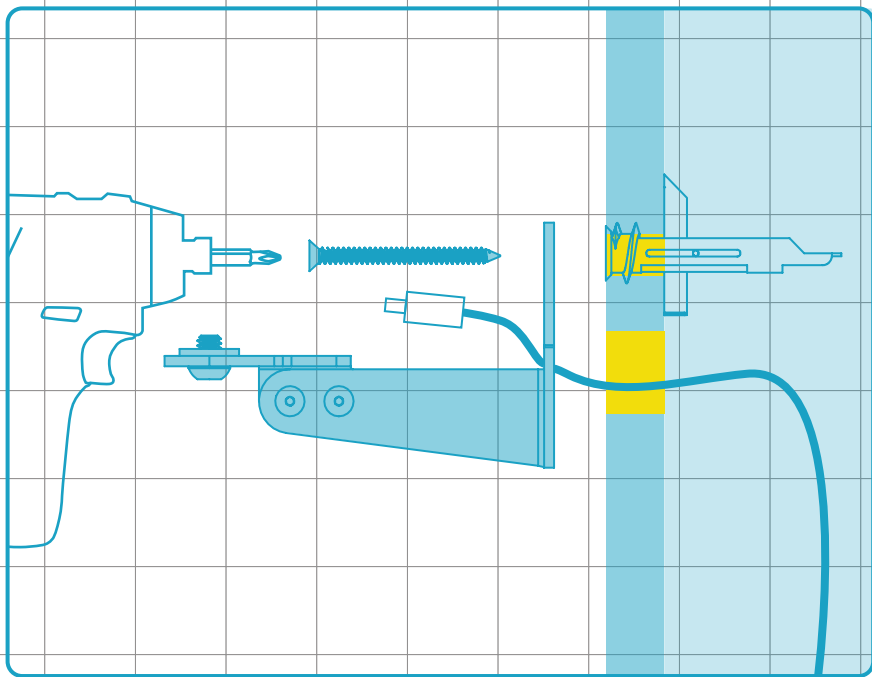
Route the Power and Data Cable.





## STEP 6

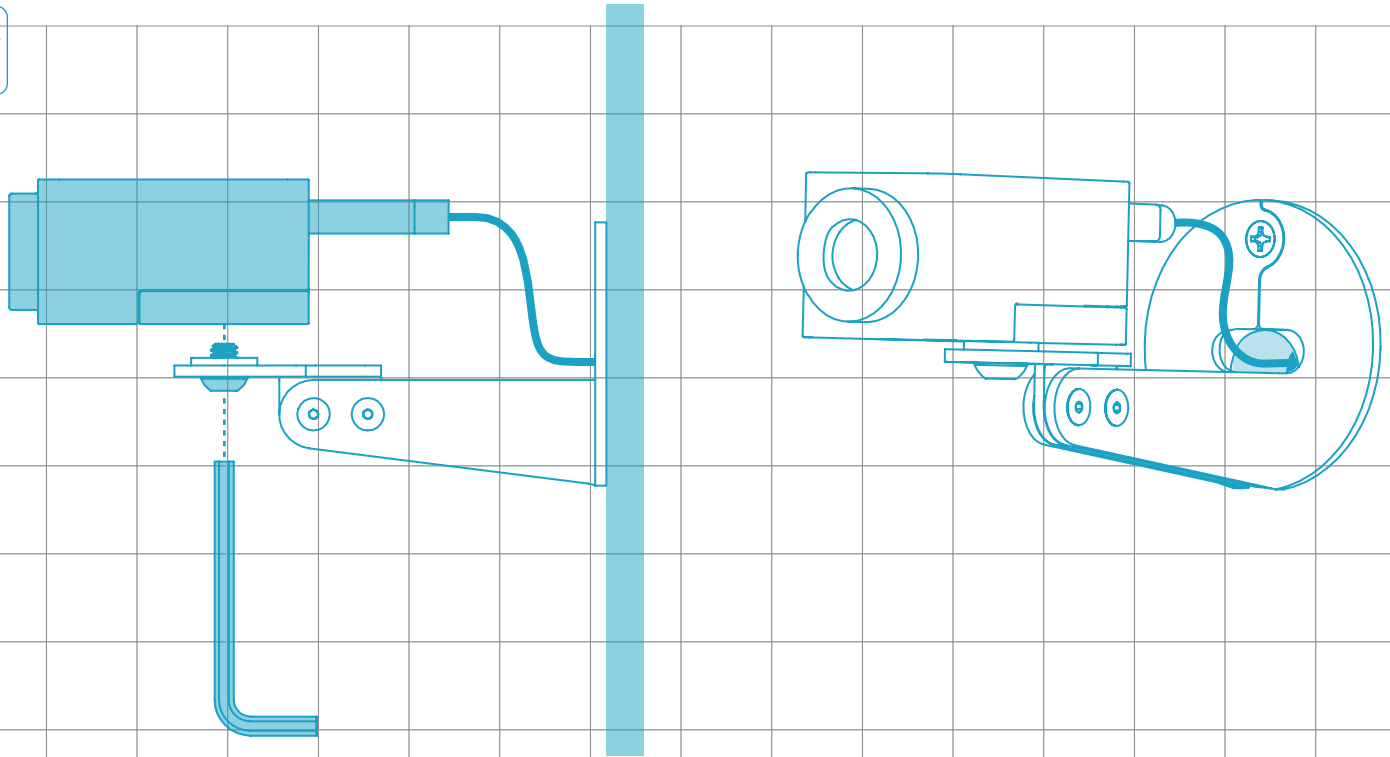
### Fasten Eyeline Camera Mount.



Rotate to create a level camera platform.

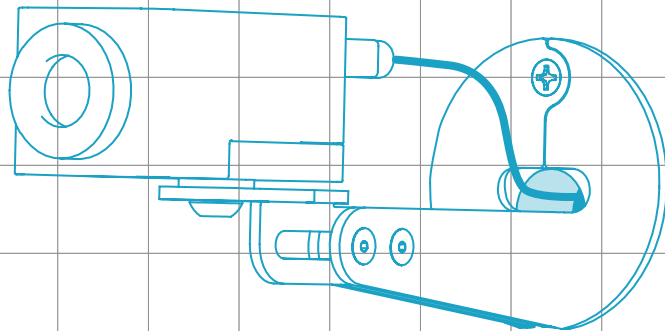
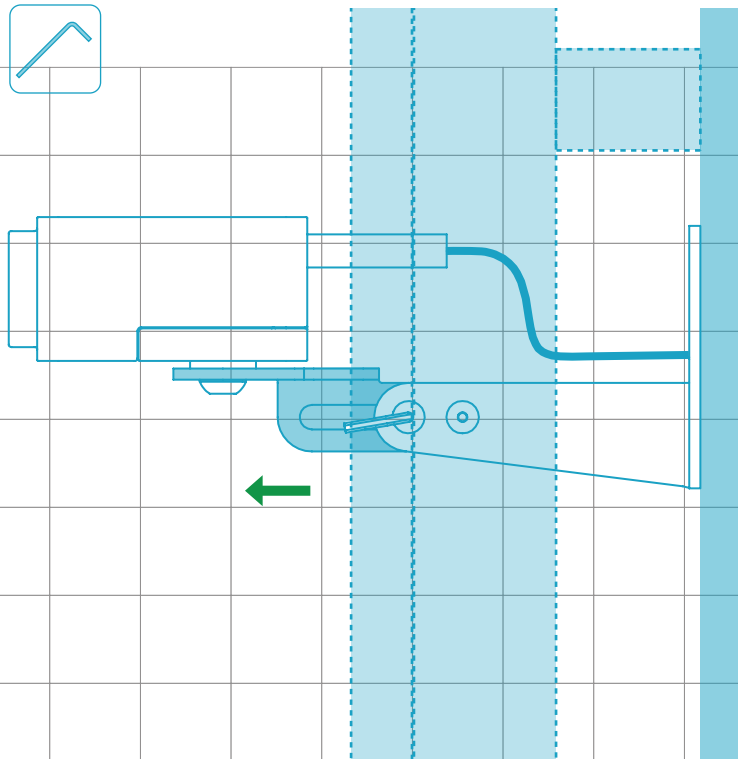
## STEP 7

Install Camera.



## STEP 8

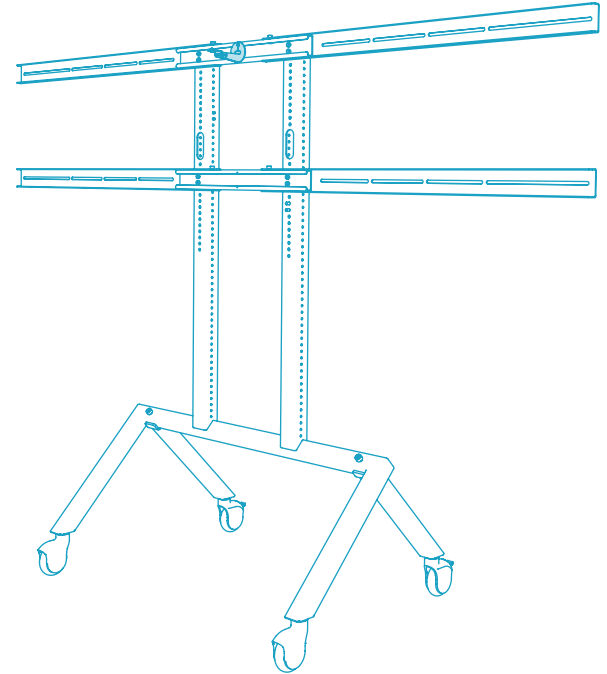
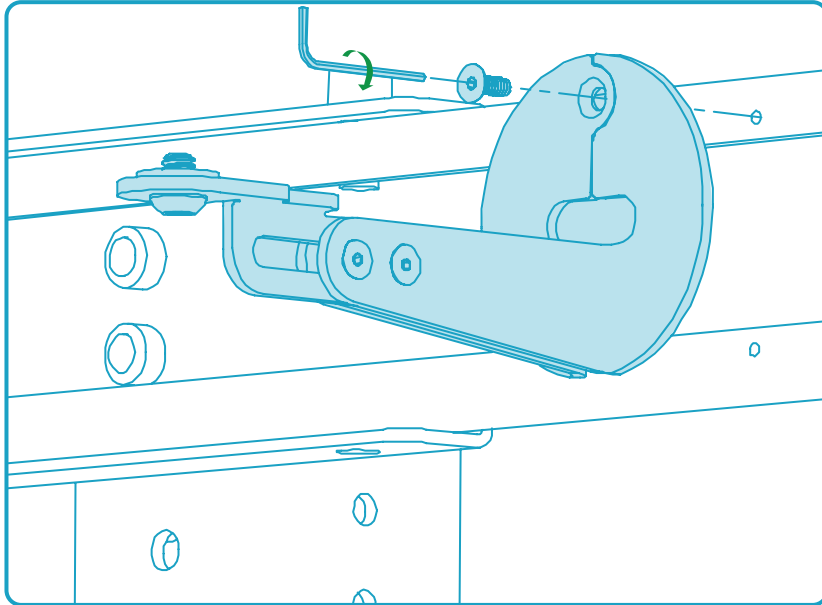
Adjust depth.



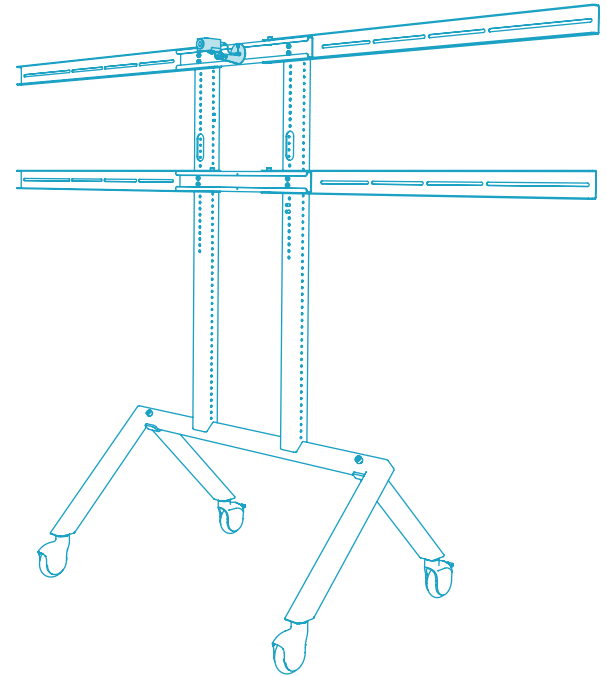
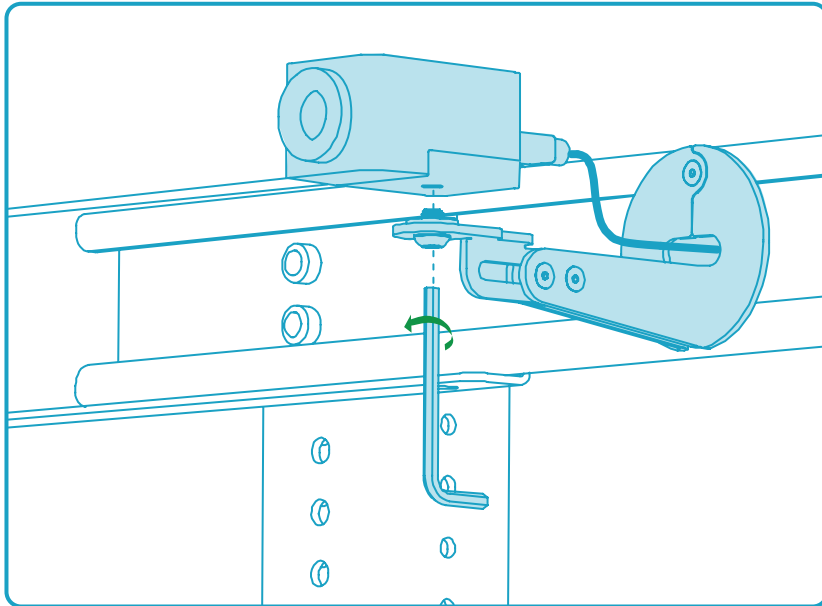
Adjust the length of the camera mount so the camera protrudes from the wall as little as possible.

## OPTION B

Install Eyeline Camera Mount to to  
H701 Dual Display Kit for Heckler  
AV Cart (sold separately).



Install camera.



Adjust depth.

