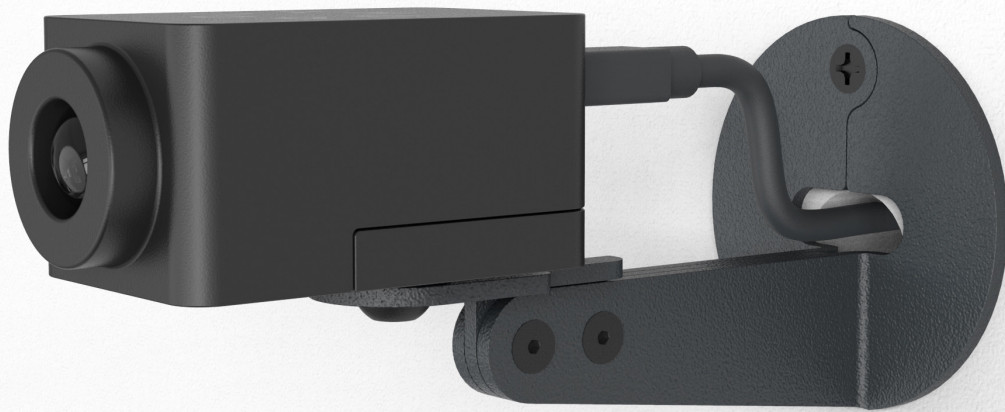


# EYELINE CAMERA MOUNT

H598

for Dual Displays



Positioning your conferencing camera at eyeline between two displays the simplest way to create great, telepresence-like video meetings. This special mount can be used on walls and with dual-display Heckler AV Carts, enabling creative new collaboration systems.

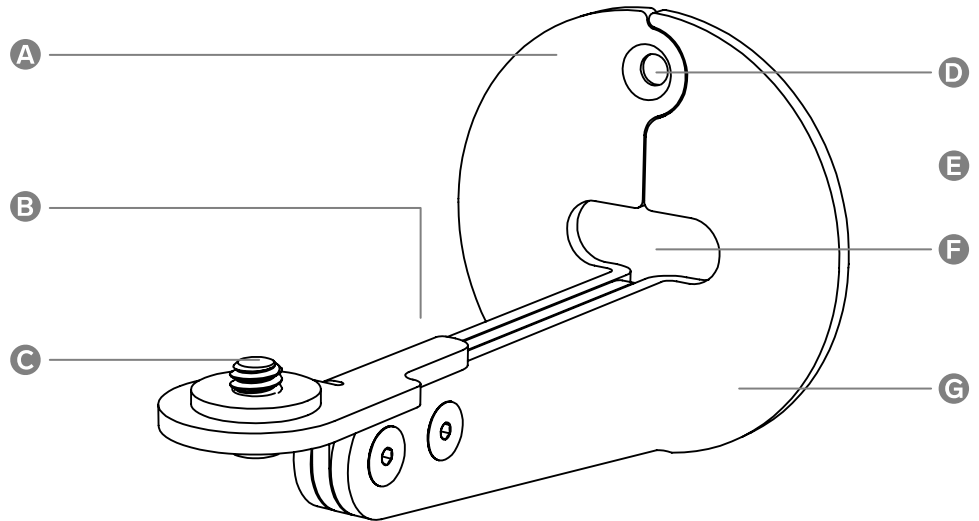
# EYELINE CAMERA MOUNT

H598

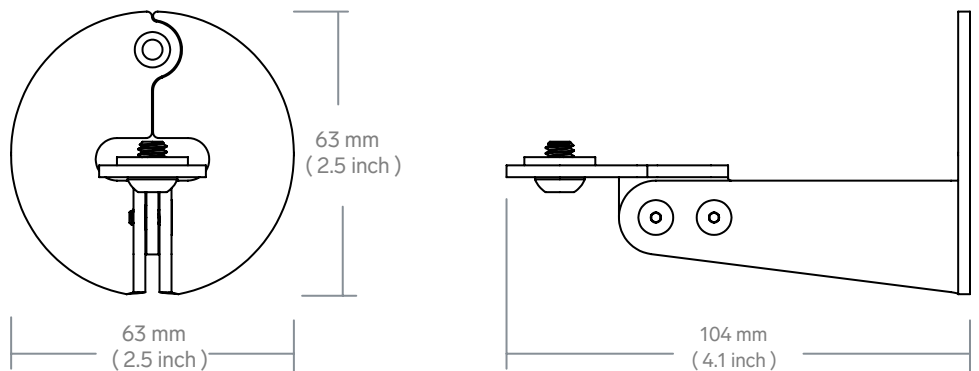
for Dual Displays

## Features

- A Sturdy steel construction
- B Adjustable to displays screens 4 to 6 inches from the wall
- C 1/4-20 camera-mounting screw
- D Single screw mounting position
- E Easy drywall installation
- F Cable pass-thru slot
- G Fingerprint-resistant powdercoat finish



## Dimensions



# EYELINE CAMERA MOUNT

H598

for Dual Displays

---

## Specifications

<b>Price</b>	\$79
<b>SKU</b>	H598
<b>Product Dimension</b>	2.5 x 2.5 x 4.1 inches 64 x 64 x 104 mm
<b>Shipping Dimension</b>	3.0 x 3.0 x 5.0 inches 76 x 76 x 127 mm
<b>Shipping Weight</b>	1.5 lbs/0.7 kg
<b>Warranty</b>	2 years

---

## Colors

Name	SKU
Black Grey	H598-BG

---

## Compatible Devices

Huddly Go  
Huddly IQ  
Logitech BRIO  
AVer CAM 340  
Jabra PanaCast

---

## In the Box

Eyeline Camera Mount  
Assembly hardware  
Wall-mounting hardware