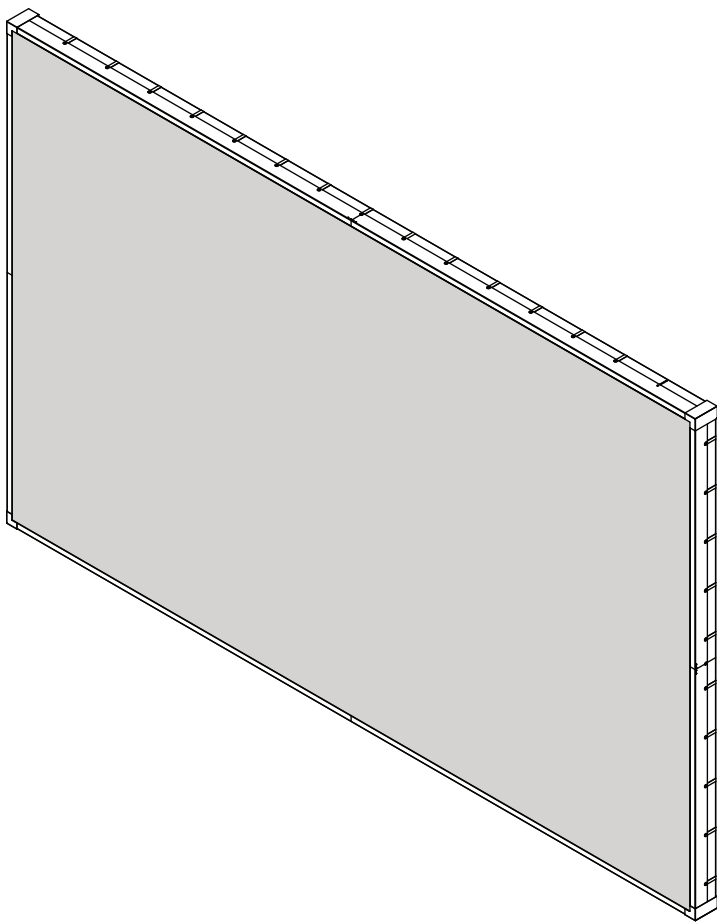


peerless-AV[®]

DS-LEDTK Series



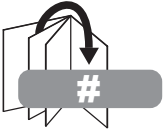
⚠ WARNING

ENG - This product is designed to be installed on plywood walls. Hardware is included for plywood installation. This product is designed to be installed on flat, unobstructed, vertical walls. Do not install on curved or angled walls. Before installing make sure the supporting surface will support the combined load of the equipment and hardware. Screws must be tightly secured. Do not overtighten screws or damage can occur and product may fail. Never exceed the Maximum Load Capacity. Always use an assistant or mechanical lifting equipment to safely lift and position equipment. This product is intended for indoor use only. Use of this product outdoors could lead to product failure or personal injury. Be careful not to pinch fingers when operating the mount. For support please call customer care at 1-800-865-2112.

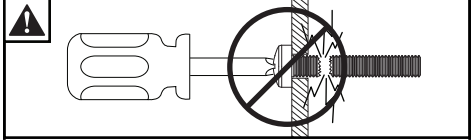
ENG Symbols



ENG WARNING



ENG Skip to step.

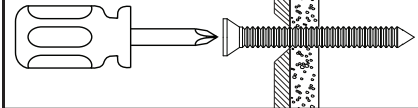


ENG Do not overtighten screws.

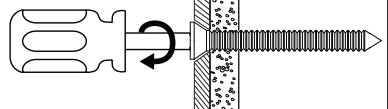


ENG To properly tighten screws: Tighten until screw head makes contact, then tighten another 1/2 turn. Do not overtighten screws.

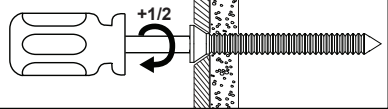
1



2



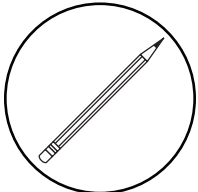
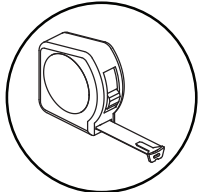
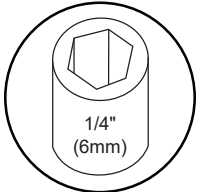
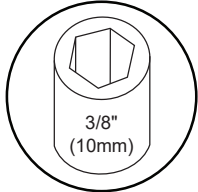
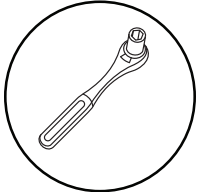
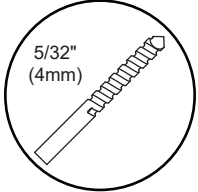
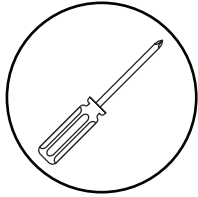
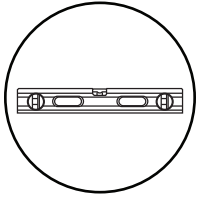
3



4



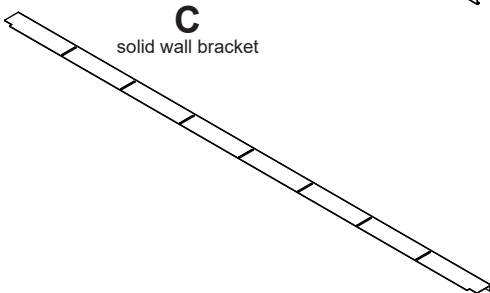
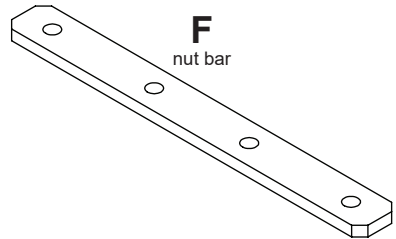
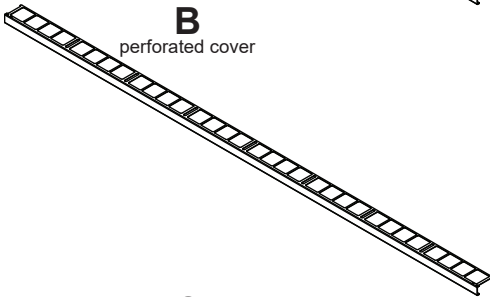
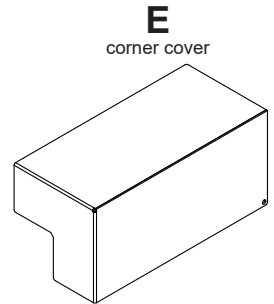
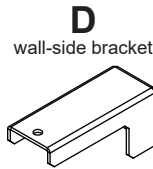
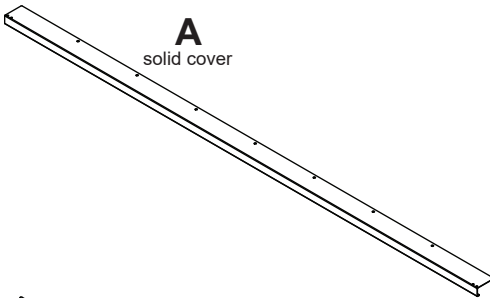
ENG Tools Needed for Assembly.

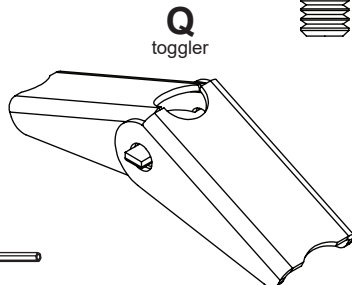
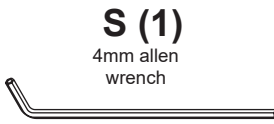
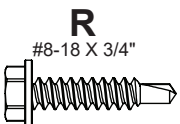
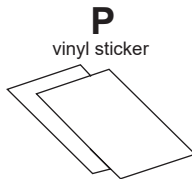
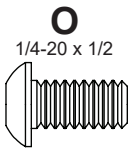
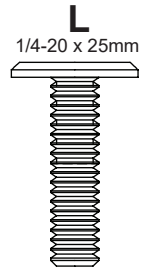
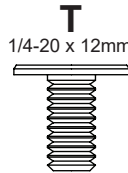
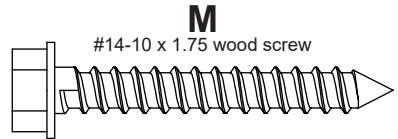
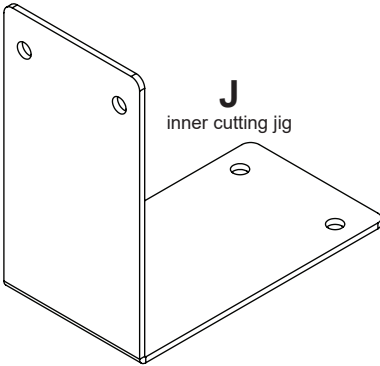
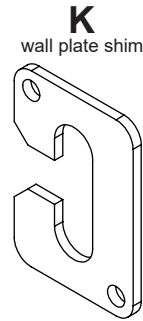
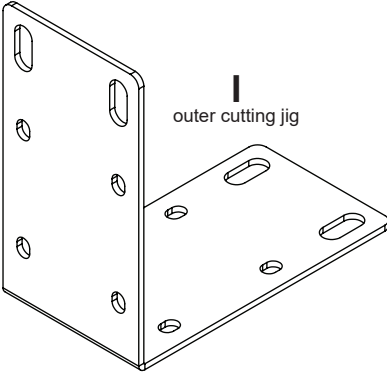
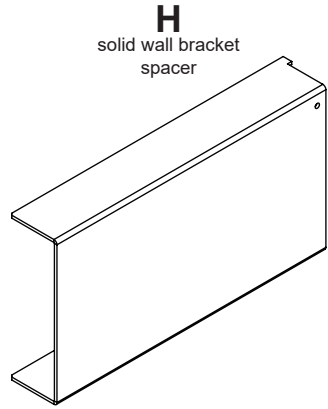
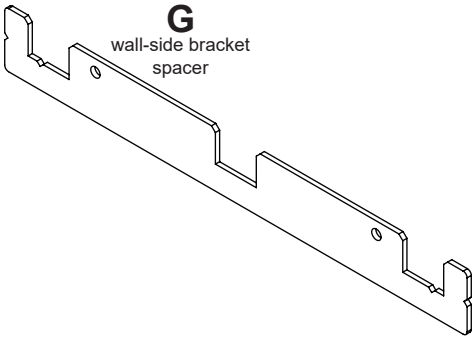


ENG To properly tighten screws: Tighten until screw head makes contact, then tighten another 1/2 turn. Do not overtighten screws.
1
2
3
4

ENG Parts (Before beginning, make sure you have all parts shown below).

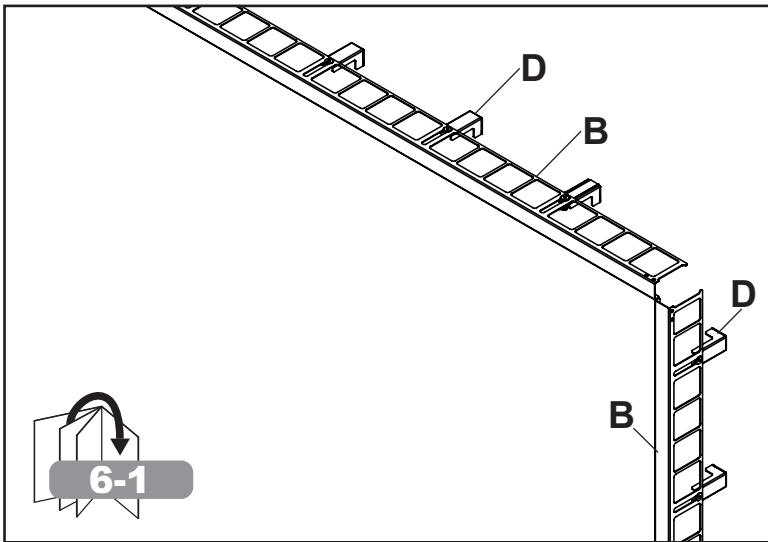
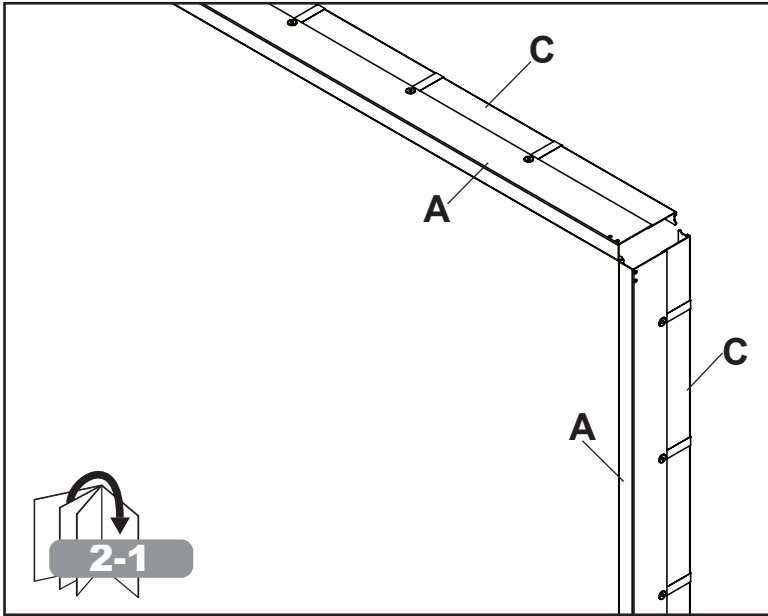
Description	Part #
A solid cover	-
B perforated cover	-
C solid wall bracket	-
D wall-side bracket	147-1859
E corner cover assembly	147-1876
F nut bar	147-T1881
G wall-side bracket spacer	147-T1879
H solid wall bracket spacer	147-T1880
I outer cutting jig	147-T1882
J inner cutting jig	147-T1883
K wall plate shim	147-1891
L 1/4-20 x 25mm screw	521-0710
M #14-10 x 1.75 wood screw	521-1688
N M3 x 8mm phillips	521-0711
O 1/4-20 x 1/2 btn skt scr	520-1169
P vinyl sticker	580-0535
Q toggler	590-1093
R #8-18 X 3/4" self drilling screw	521-0714
S 4mm allen wrench	560-9646
T 1/4-20 x 12mm screw	520-2325





1

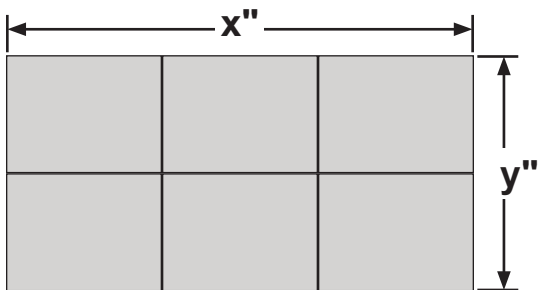
ENG Follow steps for solid or perforated trim kits.



Alternate steps for Unilumin Upanels sides with bump-outs start on page 22.

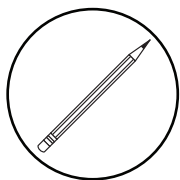
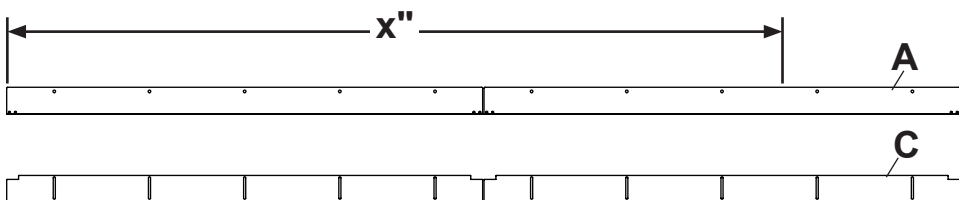
2-1

ENG Measure video wall dimensions.

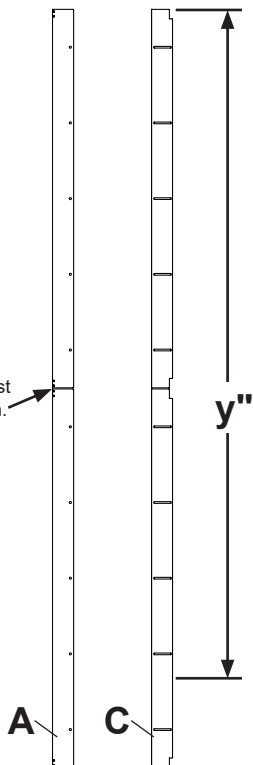


2-2

ENG Mark cutting line on wall plates and covers. Do not join covers until installing covers to the wall.

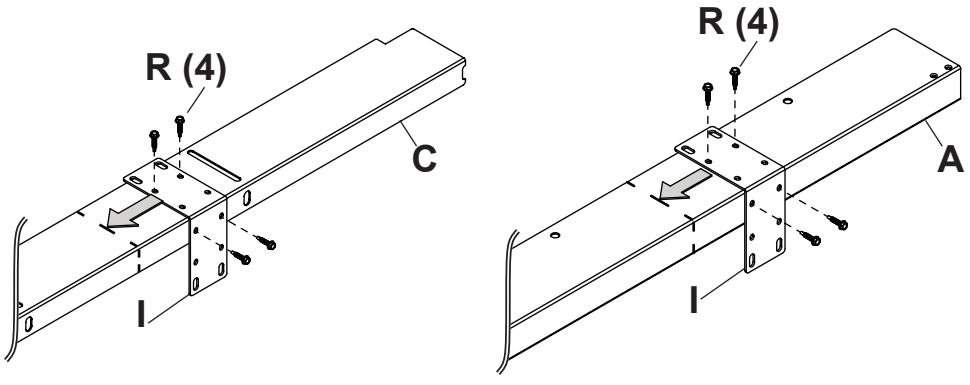
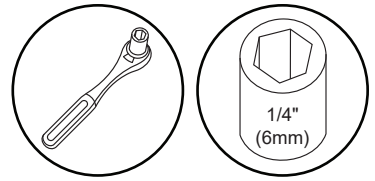


ENG Uncut edges must form inside seam.

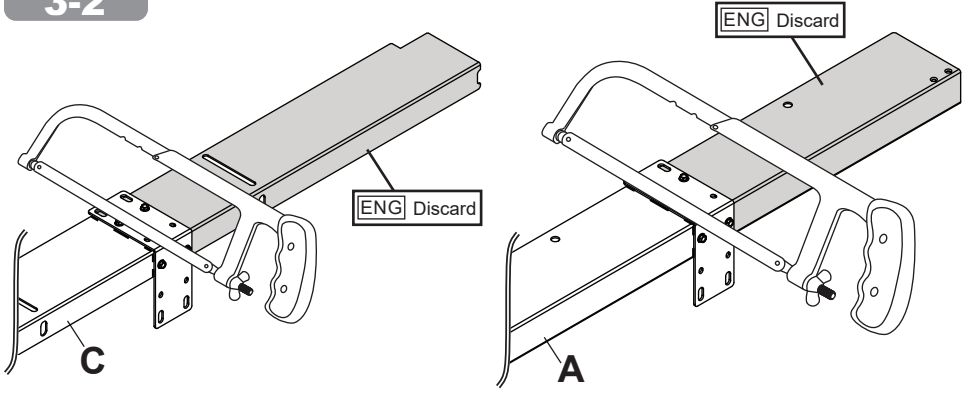


3-1

ENG Optional: Clamp or fasten cutting fixture to side of cover being discarded.



3-2

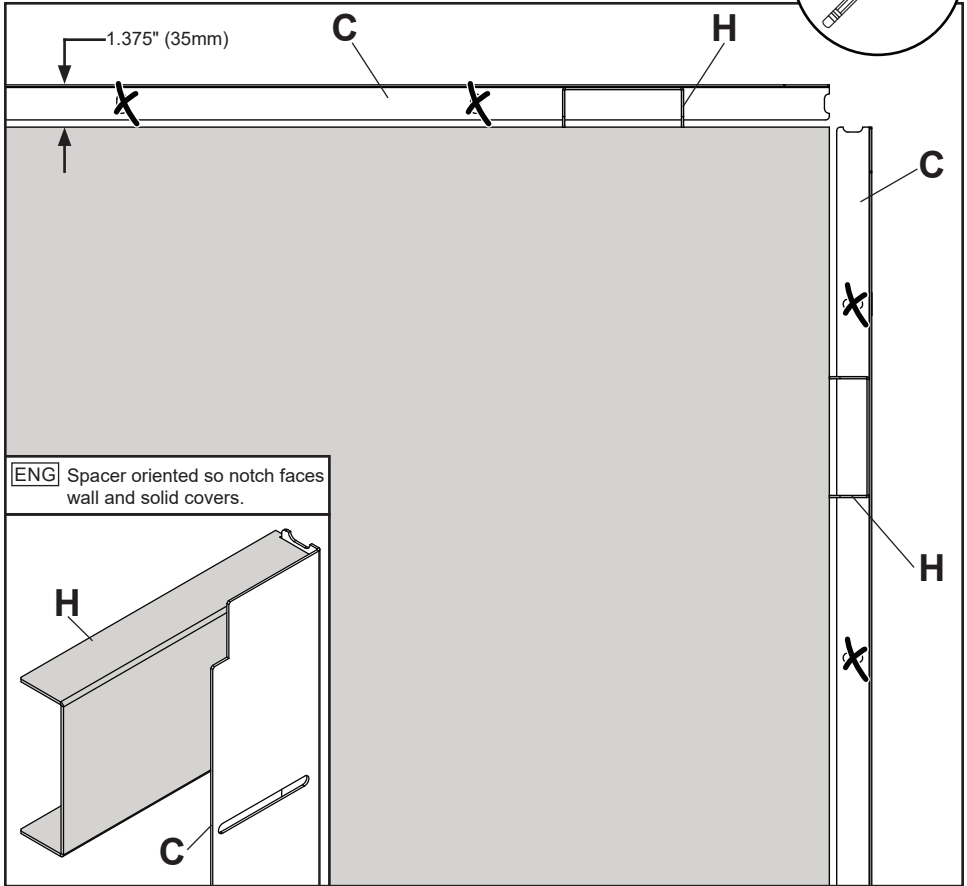


⚠ WARNING

ENG - When installing Peerless wall mounts on a wood stud wall covered with plywood, verify that the wood studs are a minimum of 2" x 4" nominal size and plywood is a minimum Grade BC, 1/2" (13 mm) thick. Plywood may be covered by gypsum board (drywall) up to 5/8" thick.

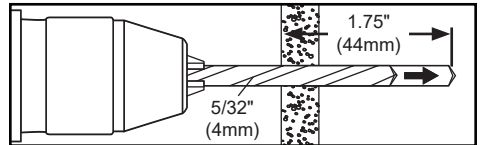
4-1

ENG Align wallplates with edge of video wall, using spacer to set final position.



ENG Spacer oriented so notch faces wall and solid covers.

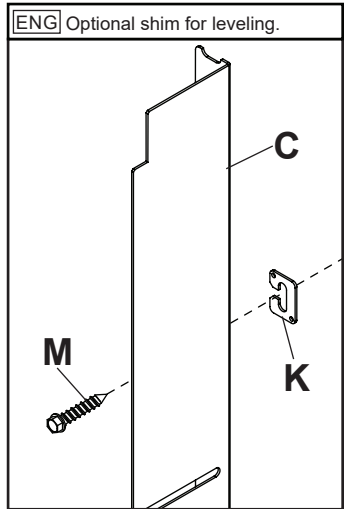
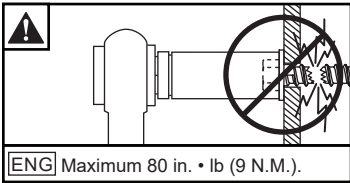
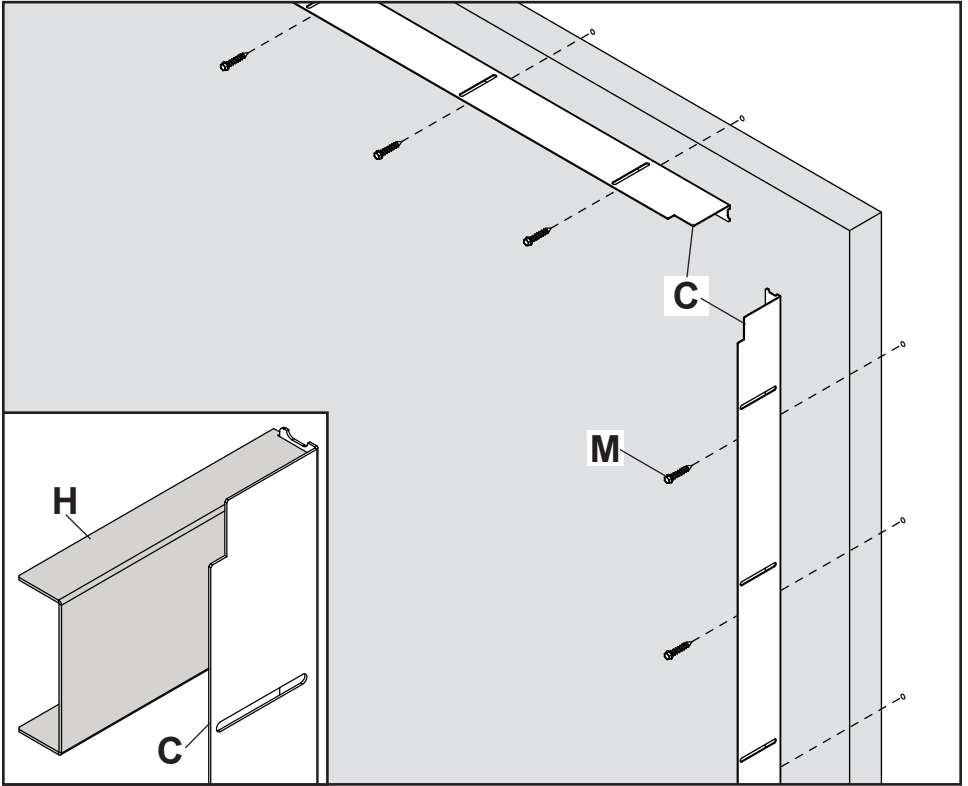
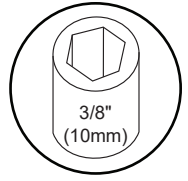
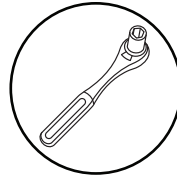
4-2



ENG Drill mounting holes into supporting surface (1.75" (44mm) minimum depth required).

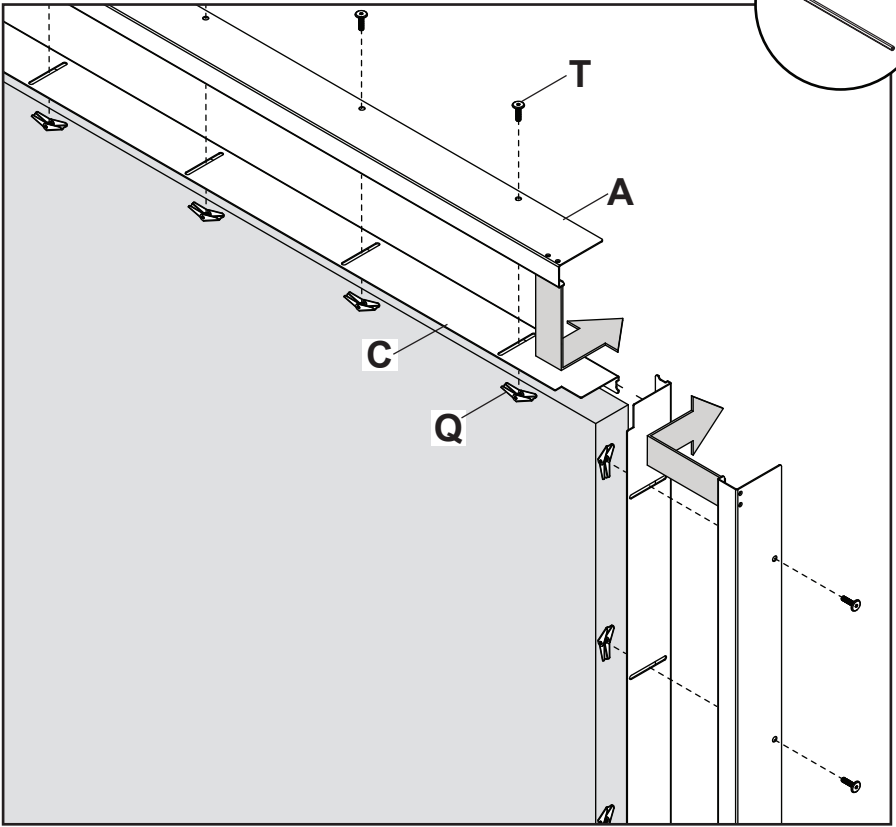
4-3

ENG Install using wood screws provided.
Use spacer to set final position of wall bracket.



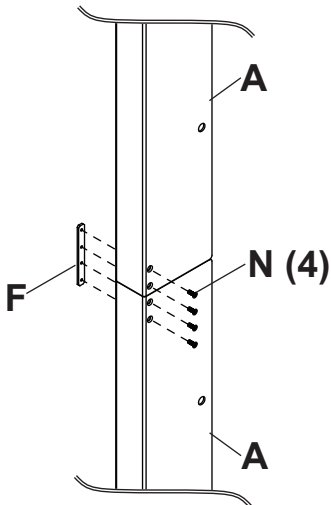
5-1

ENG Place wall plate cover over wall plate. Slide back until flush with front of video wall.



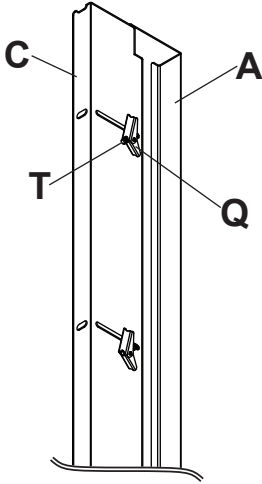
5-2

ENG Attach covers with nut bar inside cover. Displays not shown for clarity.



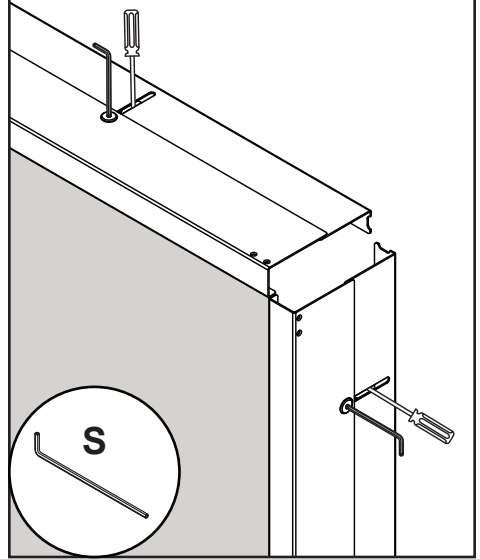
5-3

ENG Attach togglers loosely, one at a time. Then, tighten all. Displays not shown for clarity.

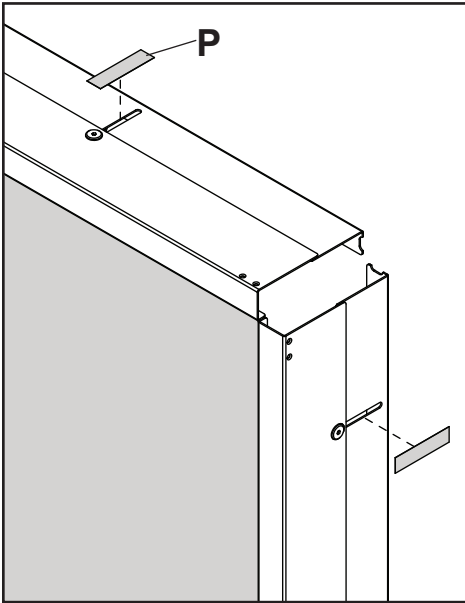


5-4

ENG Use screwdriver to hold toggler in place while tightening toggler screws.

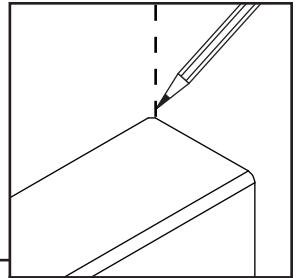
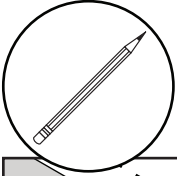


5-5

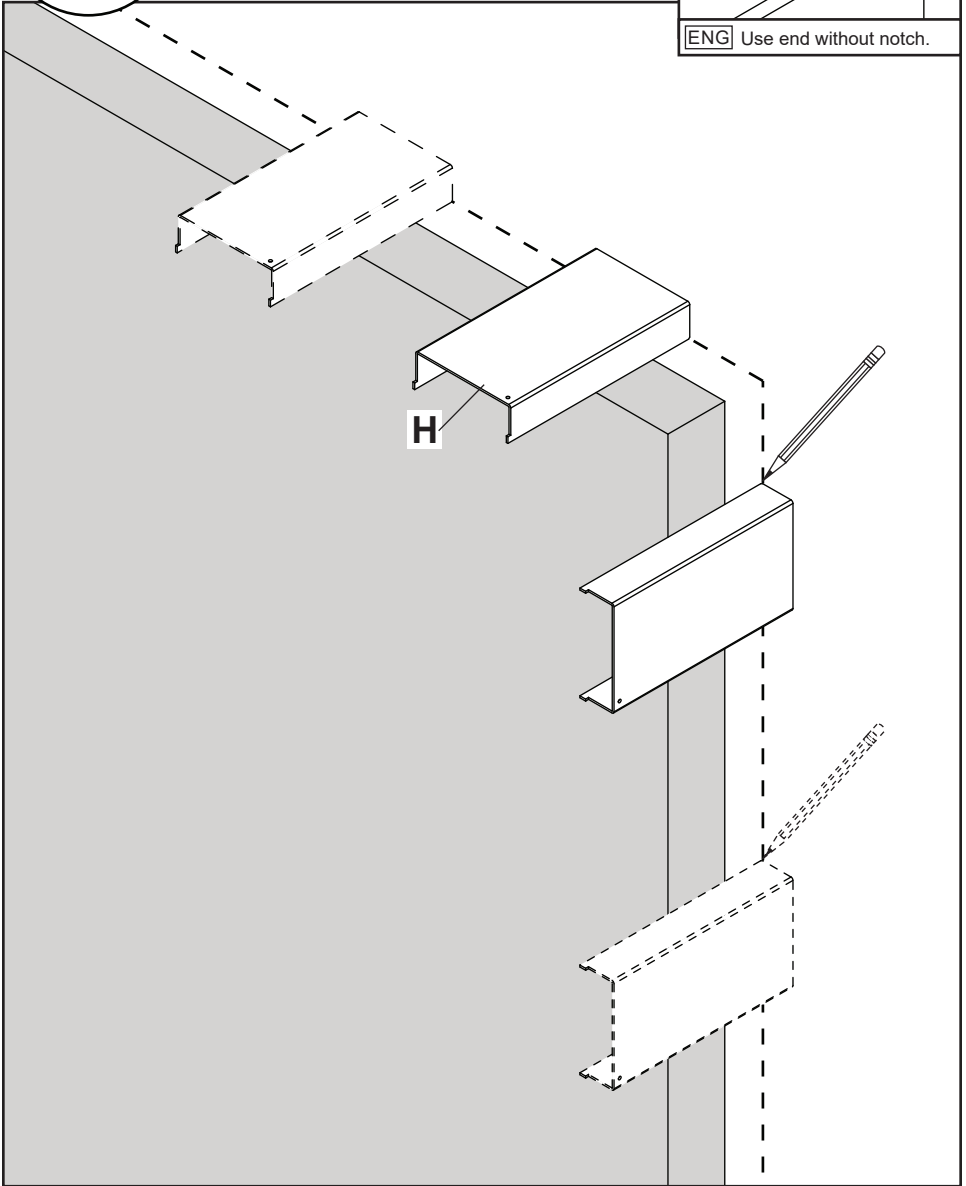


6-1

ENG To begin installing perforated trim, create guiding line around unit using spacer provided.

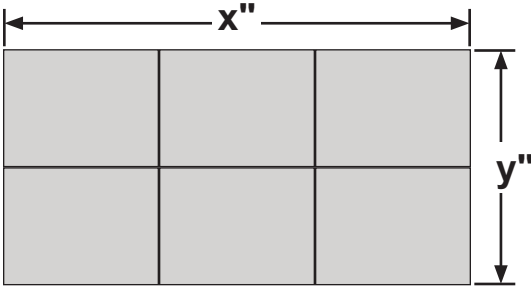


ENG Use end without notch.



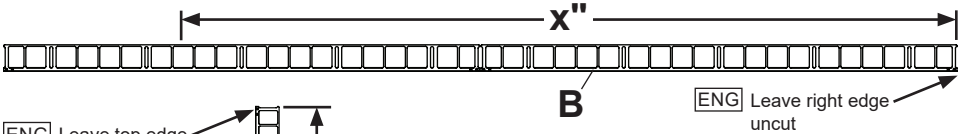
6-2

ENG Measure video wall dimensions.

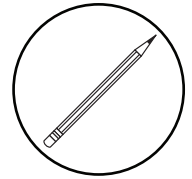
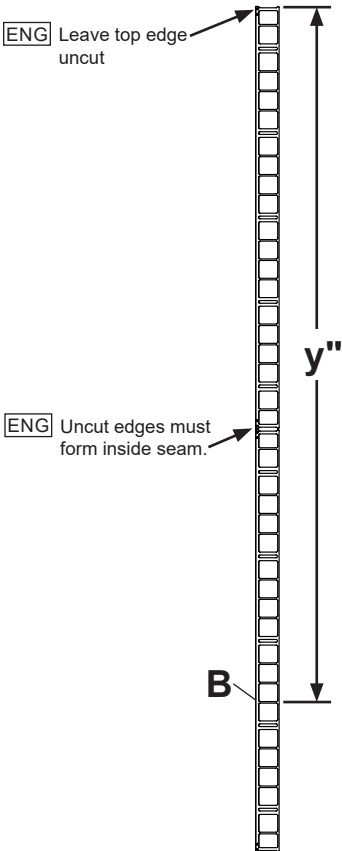


6-3

ENG Mark cutting line on covers. Do not join covers until installing covers to the wall. Leave top and right cover edges uncut for proper alignment.

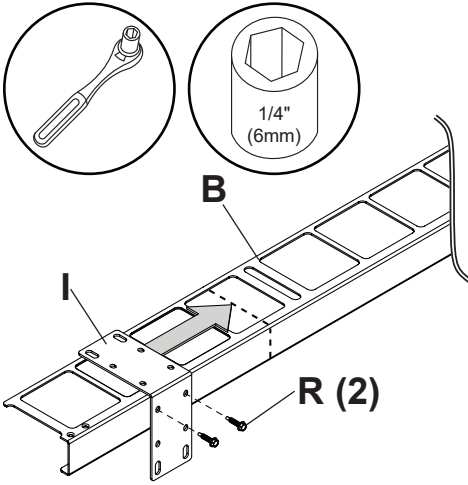


ENG Leave top edge uncut

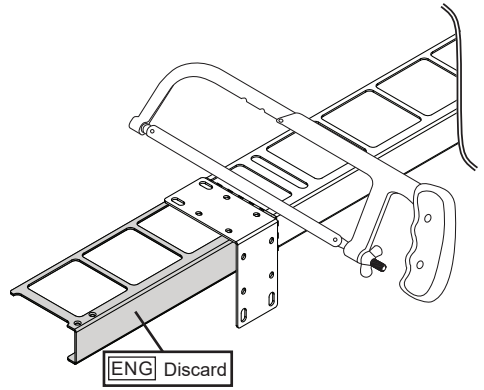


7-1

ENG Optional: Clamp or fasten cutting fixture to side of cover being discarded.

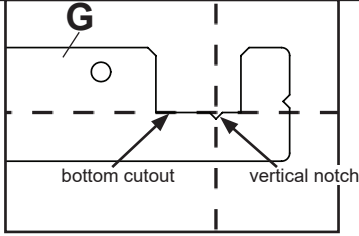


7-2

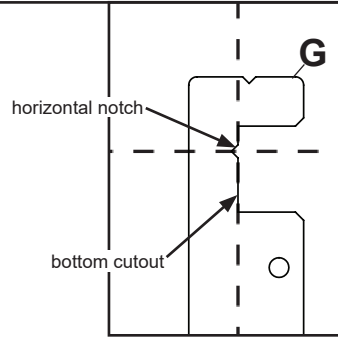


8-1

ENG Align bottom of spacer cutout and vertical notch with guiding lines.

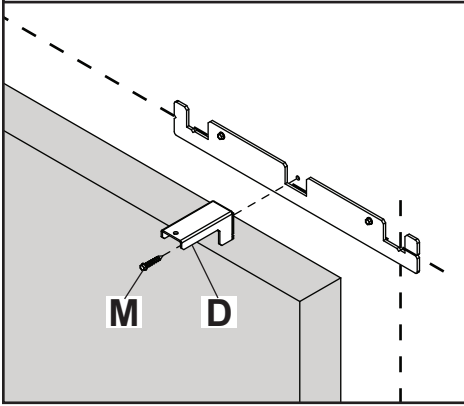


ENG Align bottom of spacer cutout and horizontal notch with guiding lines.

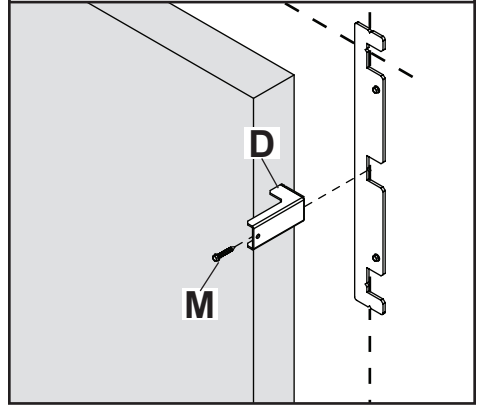


8-2

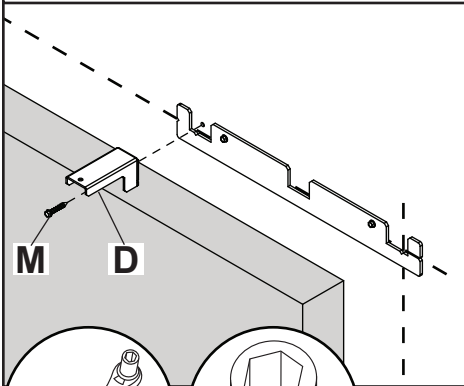
ENG For 5 ft. covers, install first bracket in the middle space, then every 12". Optional: Use wood screws to hold spacer in place.



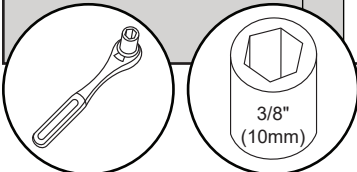
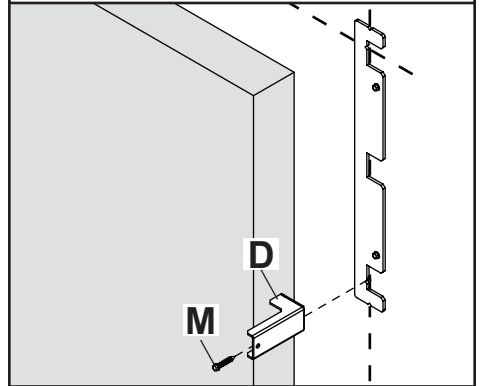
ENG For 5 ft. covers, install first bracket in the middle space, then every 12". Optional: Use wood screws to hold spacer in place.



ENG For 6 - 8 ft. covers, install first bracket at the end space, then every 12". Optional: Use wood screws to hold spacer in place.

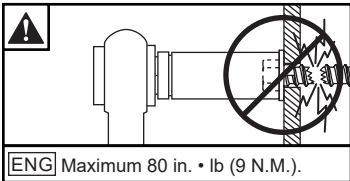
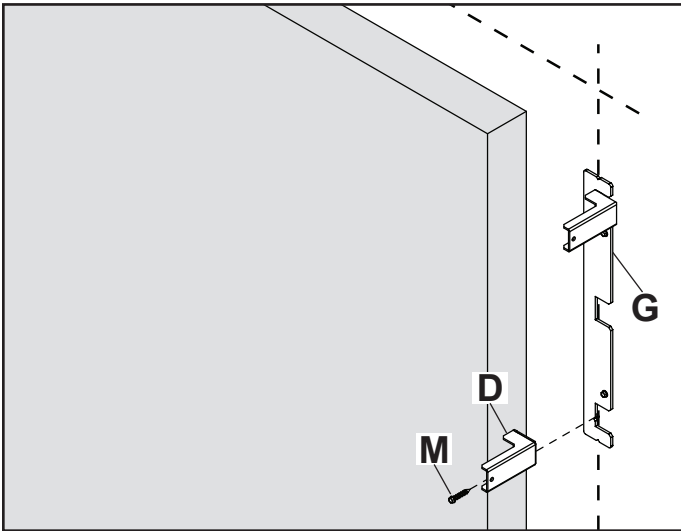
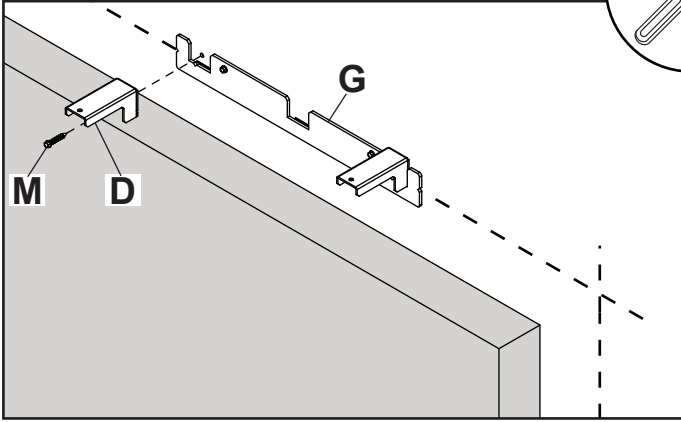
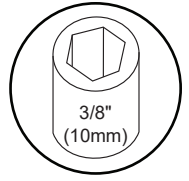
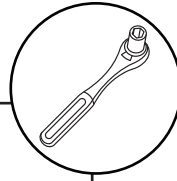


ENG For 6 - 8 ft. covers, install first bracket at the end space, then every 12". Optional: Use wood screws to hold spacer in place.



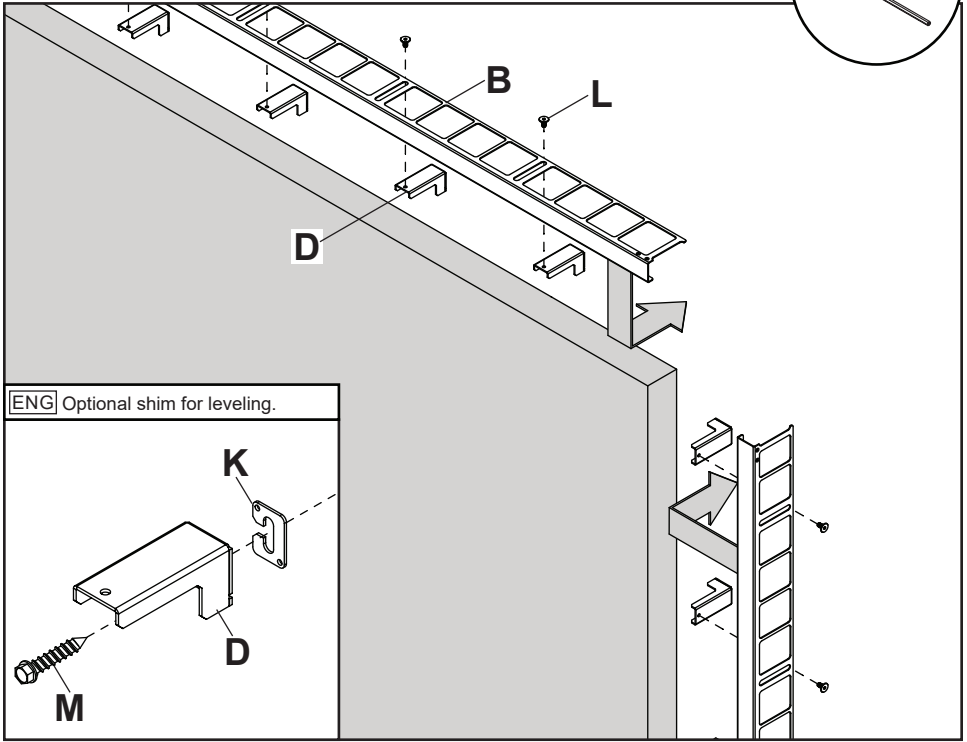
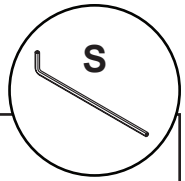
8-3

[ENG] Keep wallplates level using spacer. Install every 12" with wood screws provided.



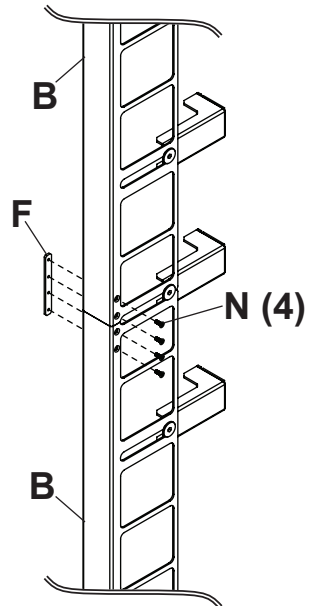
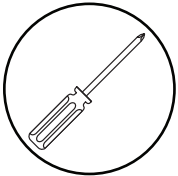
9-1

ENG Place top wall plate. Slide back until flush with front of video wall.
Secure with hardware.



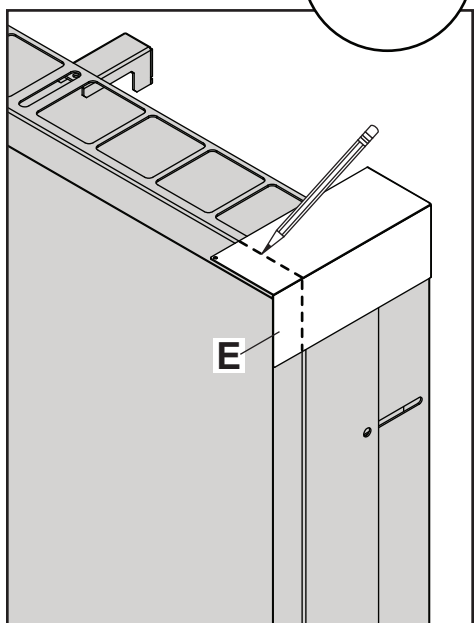
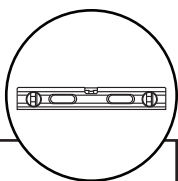
9-2

ENG Attach covers with nut bar inside cover.
Displays not shown for clarity.



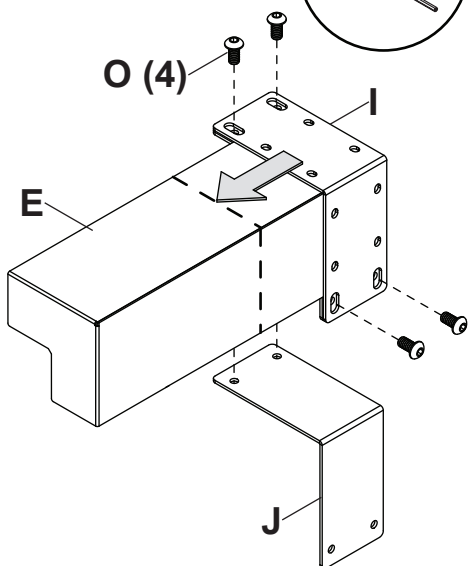
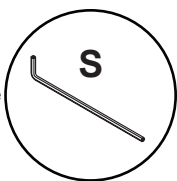
10-1

ENG Place corner cover against wall and mark cutting line.



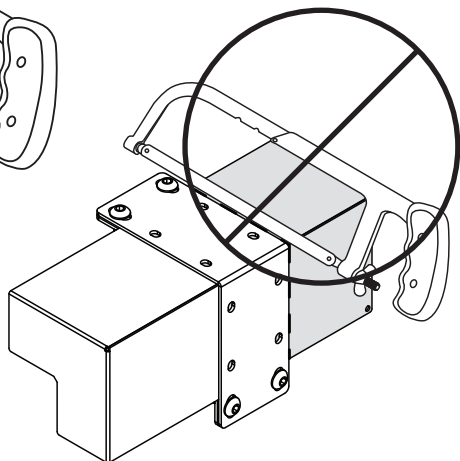
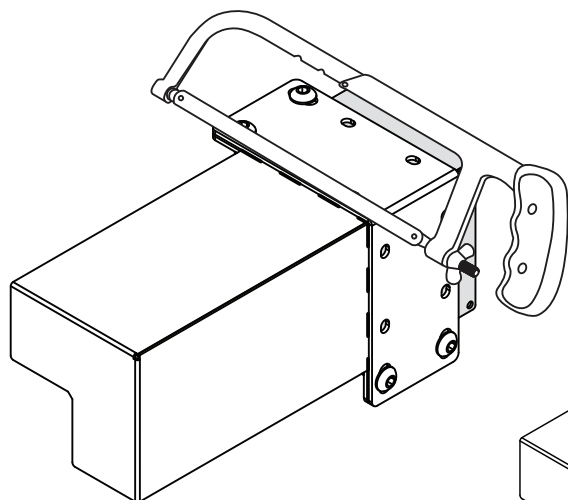
10-2

ENG Slide corner cutting fixture into place and clamp on side of cover being discarded.



10-3

ENG Cut excess corner cover off.



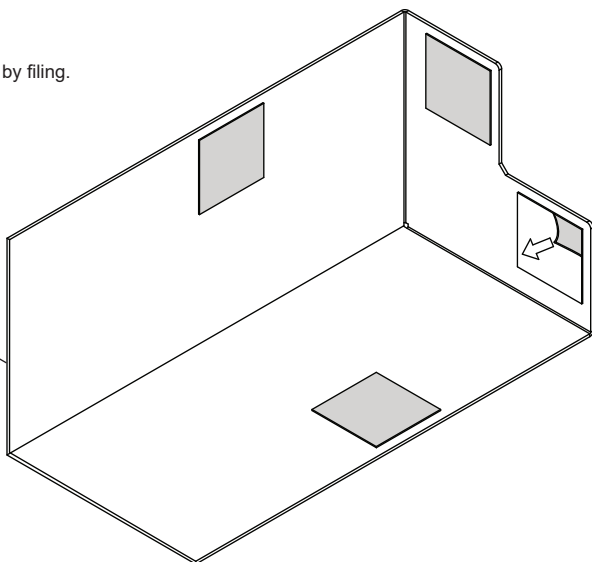
ENG Do not clamp fixture on wrong side of cutting line.

10-4

ENG Remove sharp edges of corner cover by filing.
Remove adhesive backing.

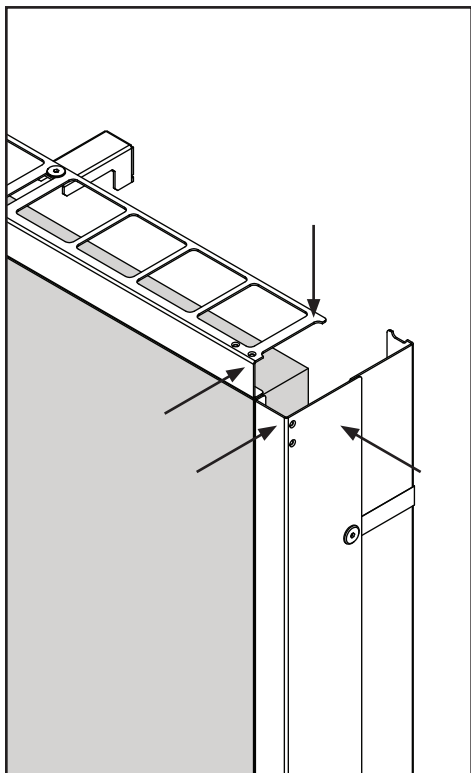
x4

E



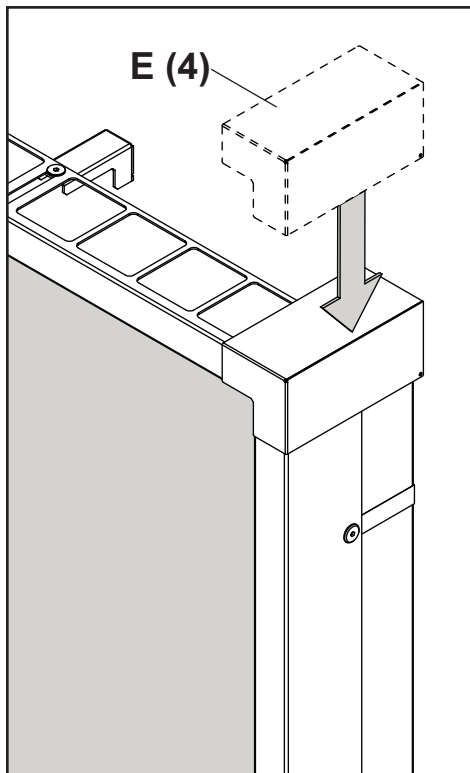
10-5

ENG Clean surfaces before applying VHB.



10-6

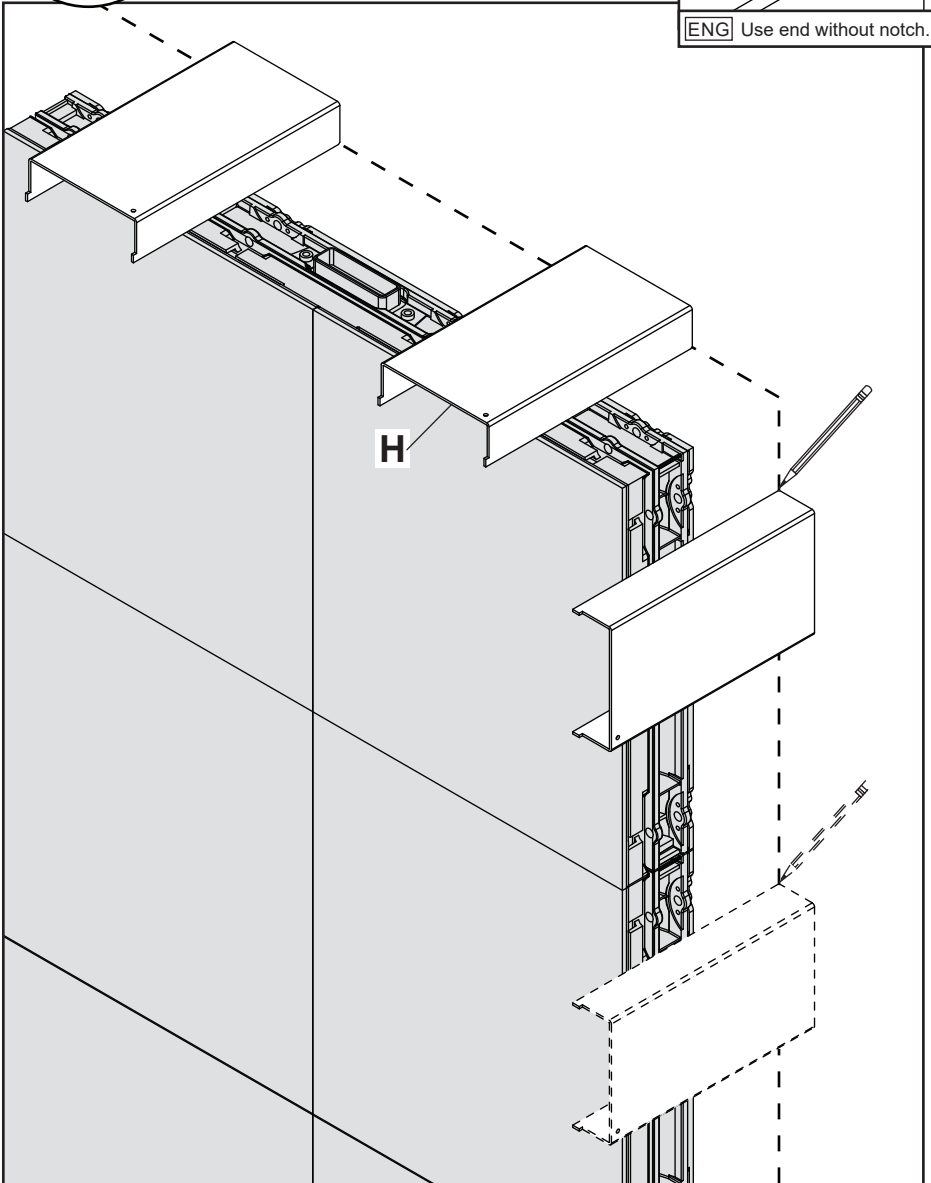
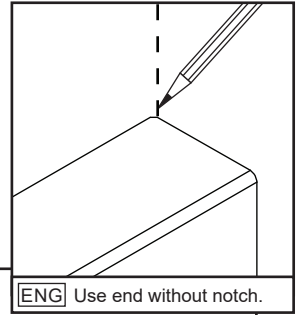
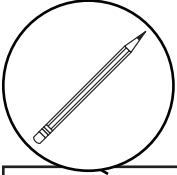
ENG Attach (4) corner covers with VHB.



Alternate steps for Unilumin UpanelS sides with bump-outs

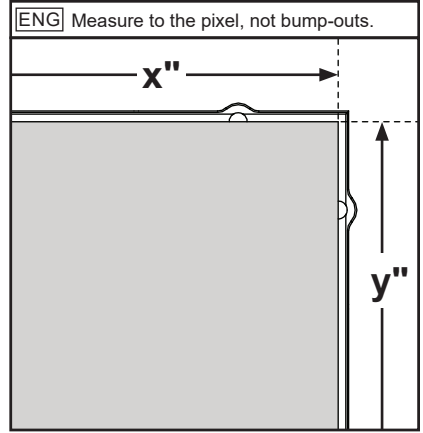
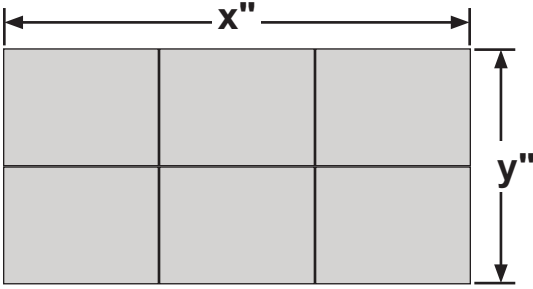
2

ENG To begin installing solid trim on Unilumin UpanelS edges with bump-outs, create guiding line around unit using spacer provided.



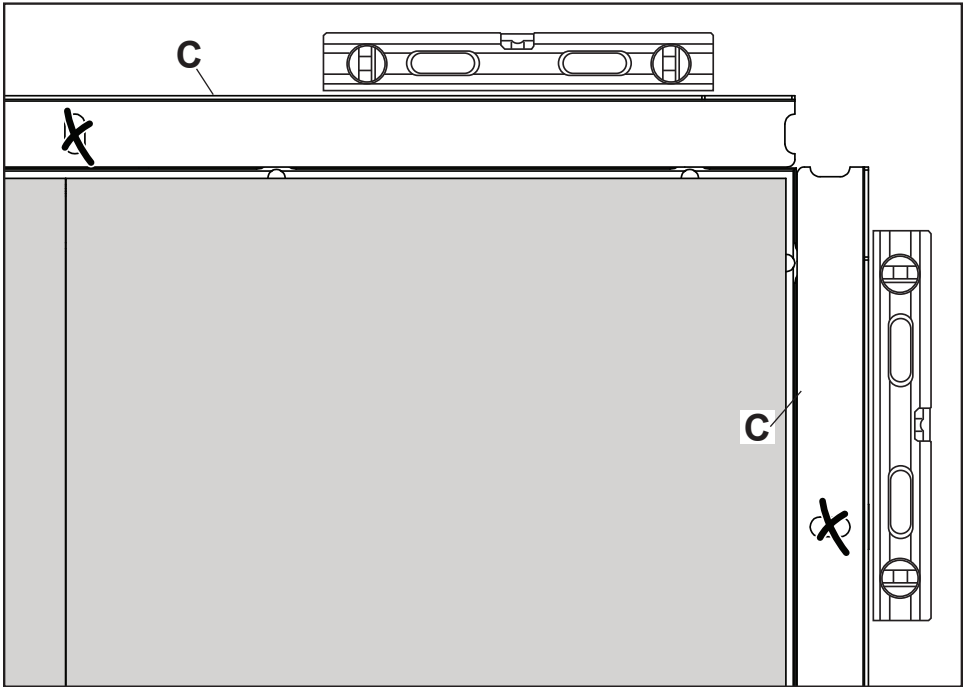
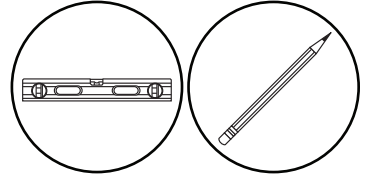
2-1

ENG Measure video wall dimensions



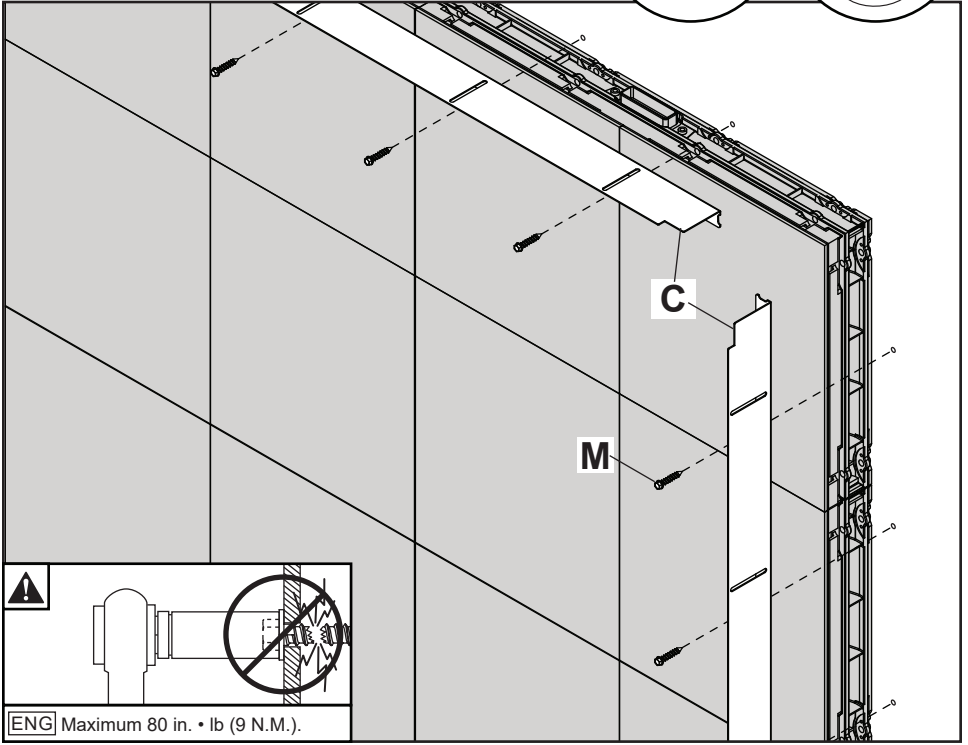
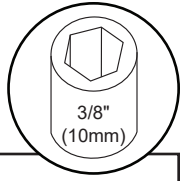
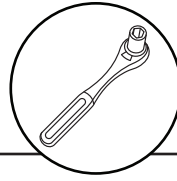
4-1

ENG Align wall plates with display guiding lines. Mark mounting holes.



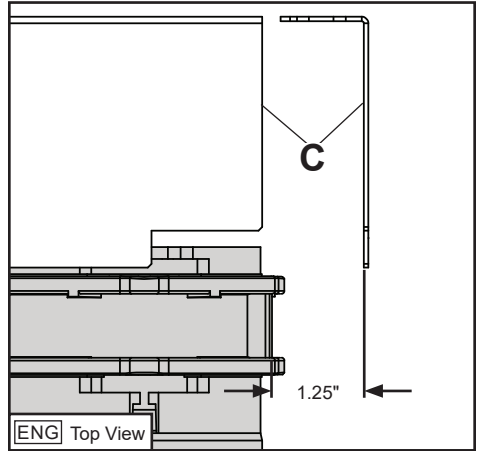
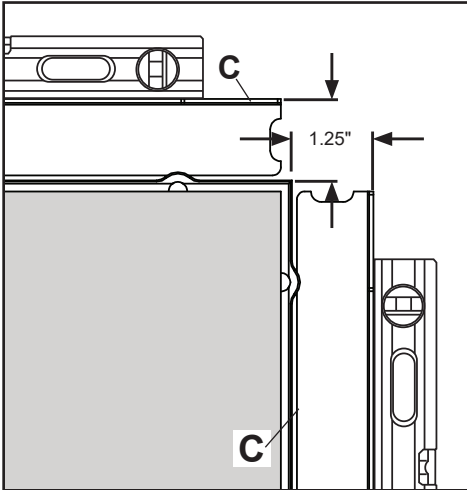
4-3

ENG Install using wood screws provided.



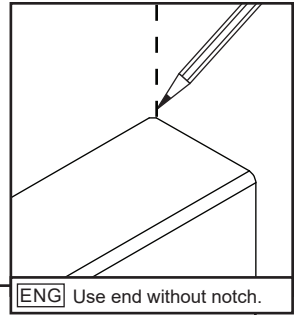
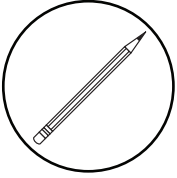
ENG Maximum 80 in. • lb (9 N.M.).

ENG Slide wall brackets in slot until they sit 1.25" from display guiding lines. Level and tighten wood screws.

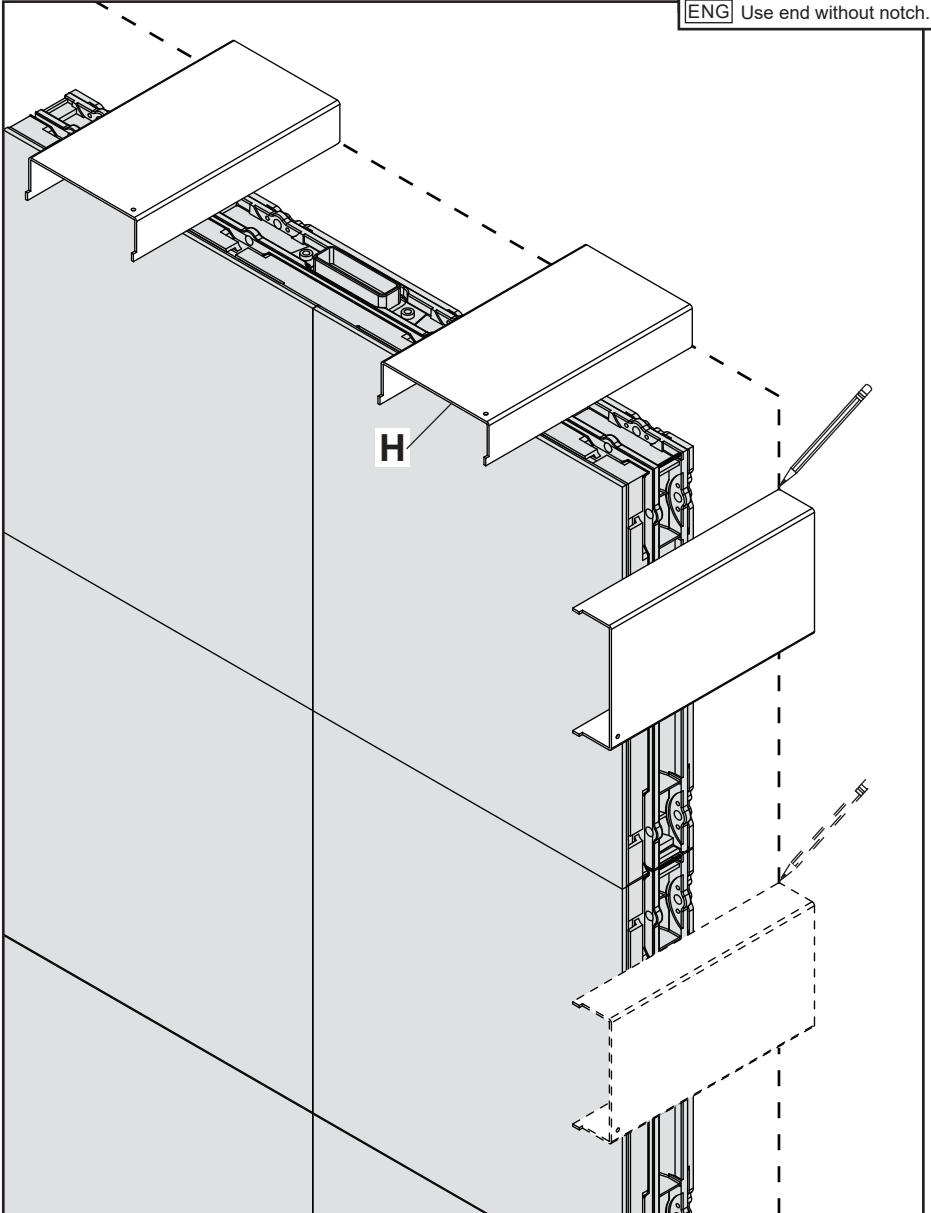


6-1

ENG To begin installing perforated trim on Unilumin UpanelS edges with bump-outs, create guiding line around unit using spacer provided.

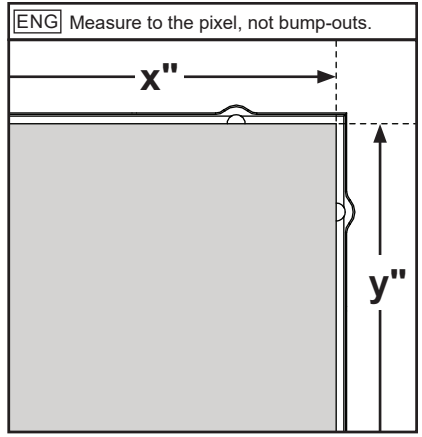
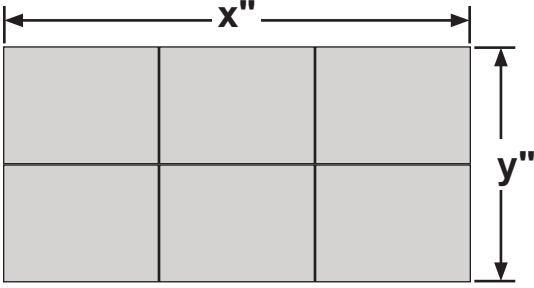


ENG Use end without notch.



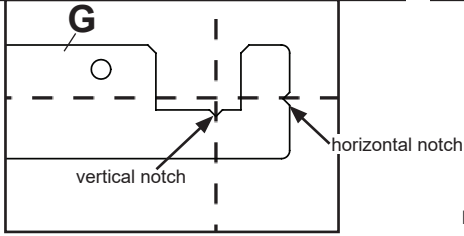
6-2

ENG Measure video wall dimensions

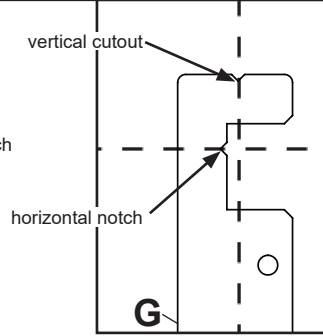


8-1

ENG To avoid the display bump-outs, align vertical and horizontal notch with guiding lines.

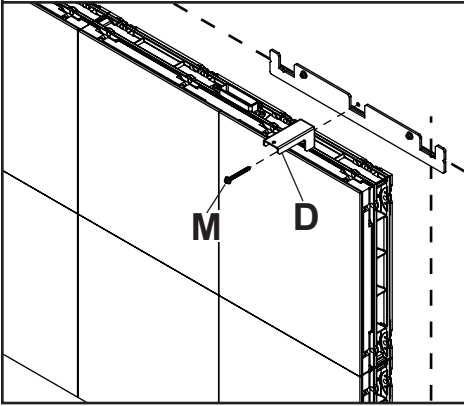


ENG To avoid the display bump-outs, align vertical and horizontal notch with guiding lines.

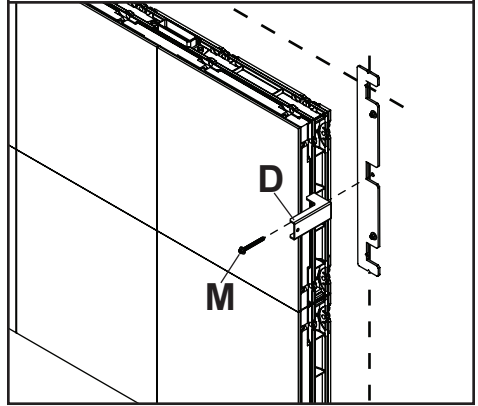


8-2

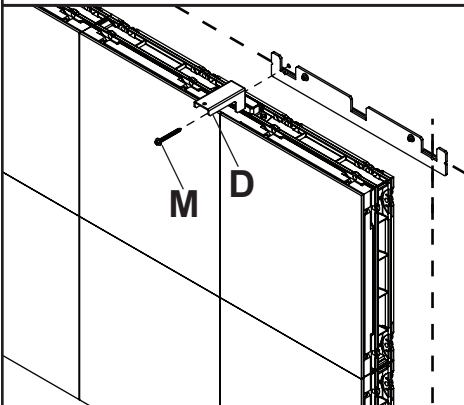
ENG For 5 ft. covers, install first bracket in the middle space, then every 12". Optional: Use wood screws to hold spacer in place.



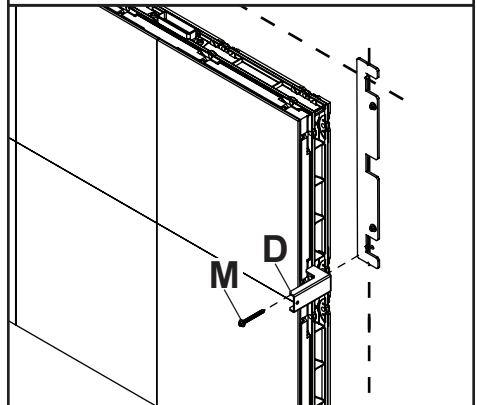
ENG For 5 ft. covers, install first bracket in the middle space, then every 12". Optional: Use wood screws to hold spacer in place.



ENG For 6 - 8 ft. covers, install first bracket at the end space, then every 12". Optional: Use wood screws to hold spacer in place.

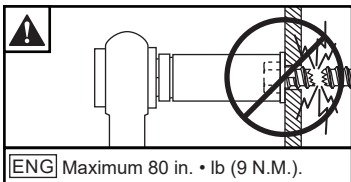
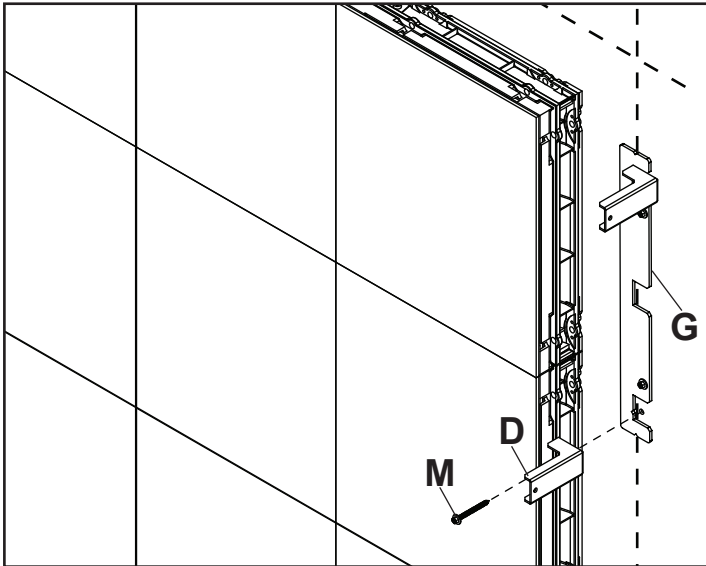
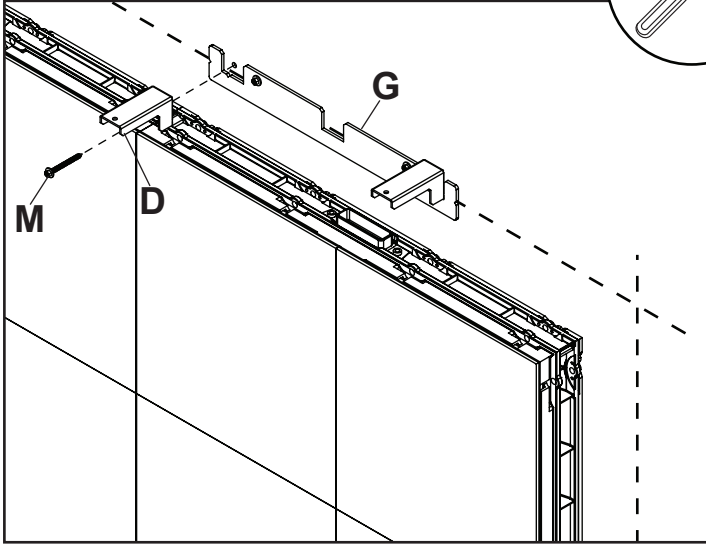
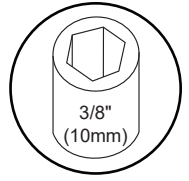
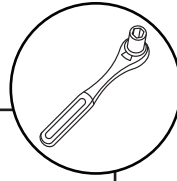


ENG For 6 - 8 ft. covers, install first bracket at the end space, then every 12". Optional: Use wood screws to hold spacer in place.



8-3

ENG Keep wallplates level using spacer. Install every 12" with wood screws provided.



ENG	Warranty	ESP	Garantía	FRN	Garantie	DEU	Garantie	NEL	Garantie
ITL	Garanzia	ČES	Záruka	SLK	Záruka	POR	Garantia	TÜR	Garanti

www.peerless-av.com/warranty

peerless-AV[®]

Peerless-AV

2300 White Oak Circle
Aurora, IL 60502
Email: tech@peerlessmounts.com
Ph: (800) 865-2112
Fax: (800) 359-6500
www.peerless-av.com

© 2020, Peerless Industries, Inc.

Peerless-AV Europe

Unit 3 Watford Interchange,
Colonial Way, Watford, Herts,
WD24 4WP, United Kingdom
Customer Care
44 (0) 1923 200 100
www.peerless-av.com

© 2020, Peerless Industries, Inc.

Peerless-AV América Latina

Av. de las Industrias 413
Parque Industrial Escobedo
General Escobedo N.L., México 66062
Servicio al Cliente
01-800-849-65-77
www.peerless-av.com

© 2020, Peerless Industries, Inc.