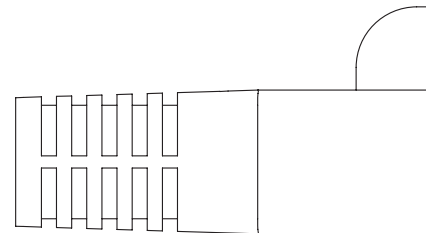
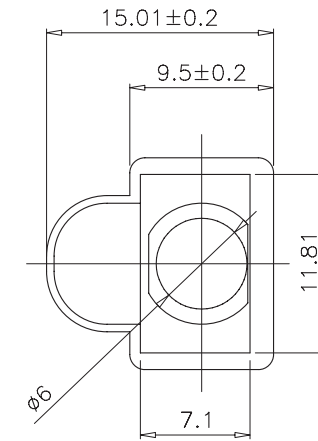
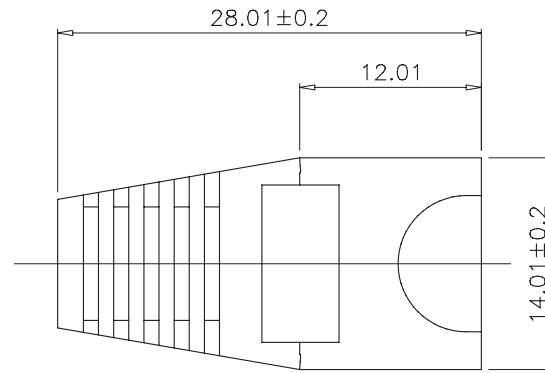


SCALE 2/1



- 22 2108 BLACK
- 22 2109 PINK
- 22 2110 BLUE
- 22 2111 WHITE
- 22 2112 ORANGE
- 22 2113 GREEN
- 22 2116 GREY
- 22 2118 RED
- 22 2122 VIOLET
- 22 2124 YELLOW
- 22 2114 BROWN

Specification :

Material :  
1. SR : PVC 70%.

|                    |                 |     |             |                     |
|--------------------|-----------------|-----|-------------|---------------------|
|                    | DSGN            | Wei | 22.APR.2010 | ITEM NO:<br>22 21xx |
|                    | CHK             | kli | 22.APR.2010 |                     |
| UNIT<br>M/M        | APPR            | Yty | 22.APR.2010 |                     |
| SCALE<br>1/4       |                 |     |             |                     |
| DWG NO:<br>JE314/1 | <b>Velocity</b> |     |             |                     |