

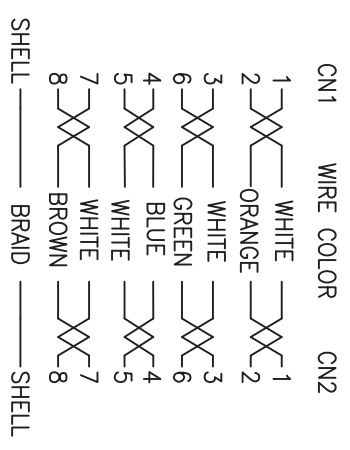
MATERIAL LIST:

NO.	PARTS NAME	SPECIFICATION DESCRIPTION
①	CABLE	SFTP (26AWG*1PR+A)*4+B+LSOH OD:5.8±0.2mm COLOR: Assorted upon request
②	RJ45 CONNECTOR	RJ45, 8P8C, TWO FORK GOLD PLATED CONTACTS WITH METAL HOUSING
③	MOLDING PVC	MOLDING PVC 45P COLOR: Assorted upon request

LSOH Color Chart:

- RED: RAL3028
- YELLOW: RAL1018
- GREEN: RAL6017
- BLUE: RAL5017
- BLACK: RAL9005
- GREY: RAL7044
- ORANGE: RAL2008
- PINK: RAL4003
- PURPLE: RAL4008
- WHITE: RAL9003

PIN OUT



ELECTRONIC TEST:
A.OPEN/SHORT/INTERMITTENCE: 100%.

REMARK NO	CHANO	SIGNATURE	DATE

DRAWN BY	CHECKED BY	AUDITED BY	CRAFT	DATE	APPROVED BY
Renzhi				2016.03.12	

S/FTP CAT6A 26AWG

ITEM NO. (SECTION SHEET)