

## Counter Flex

### Assembly Instructions

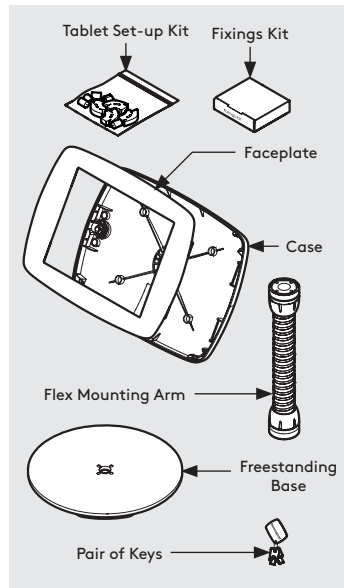
#### Tools Required:

- Socket Driver

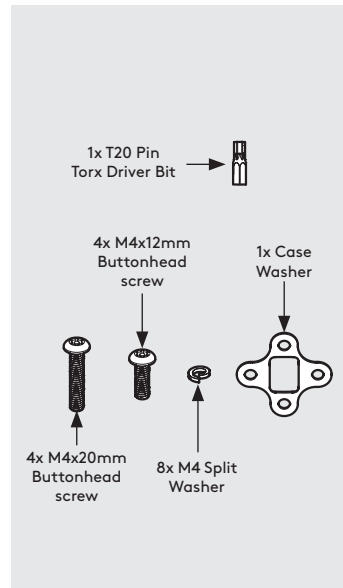
Sheet Code: BP-IM-039\_REV2

Release Date: 28/10/2019

Copyright 2016 Spotspot Ltd. (T/A Bouncepad) all rights reserved. Confidential, no part of this publication may be reproduced or transmitted in any form without the written permission of the copyright holder.

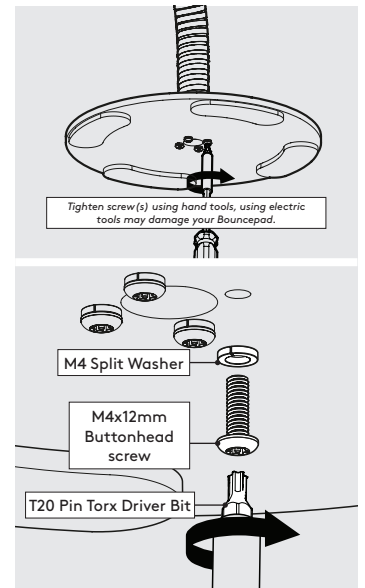


In the Box

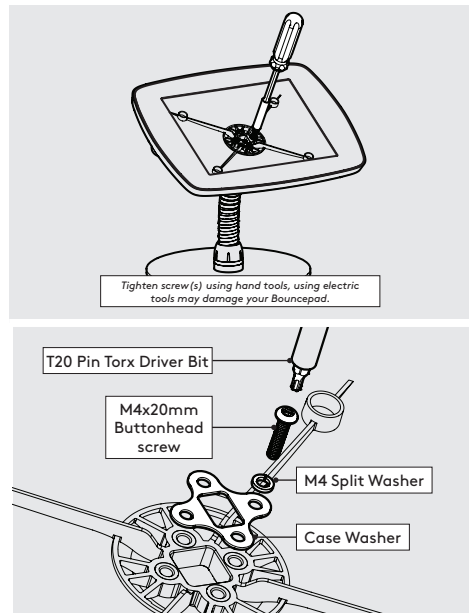


Fixings List

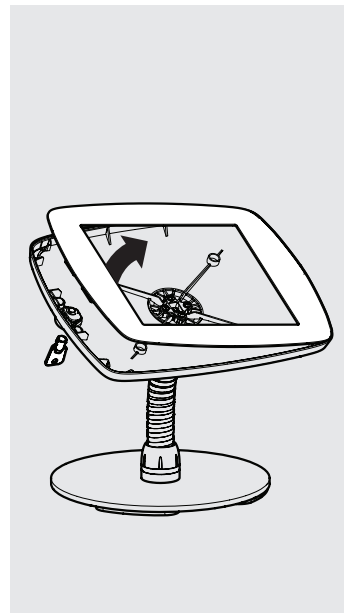
\* Due to the modular nature of our product range you may receive additional fixings in the fixings kit



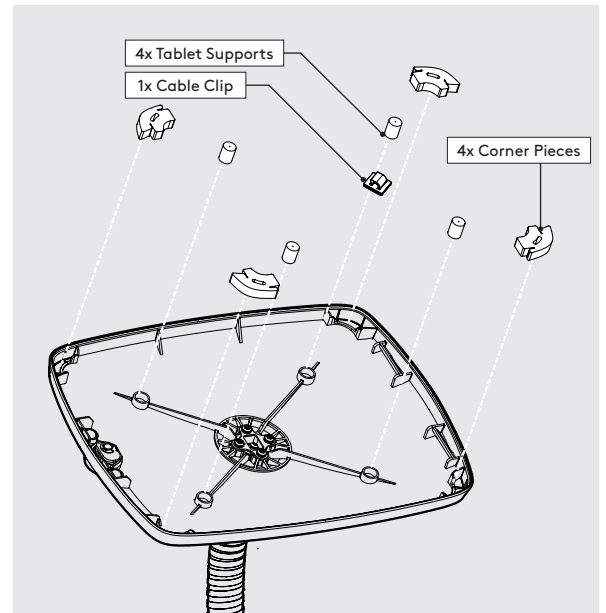
**1** Locate & secure the Flex Mounting Arm to the Freestanding Base.



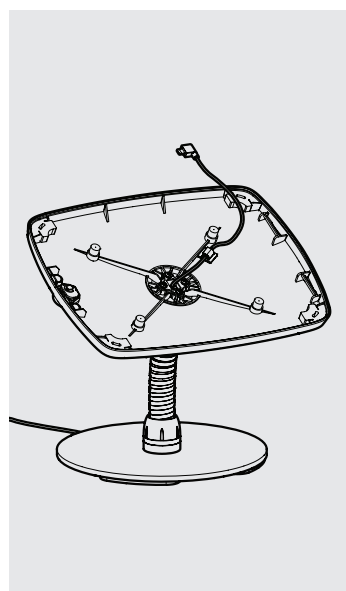
**2** Attach the Bouncepad Case to its Mounting Arm. Take care to ensure correct & full thread engagement.



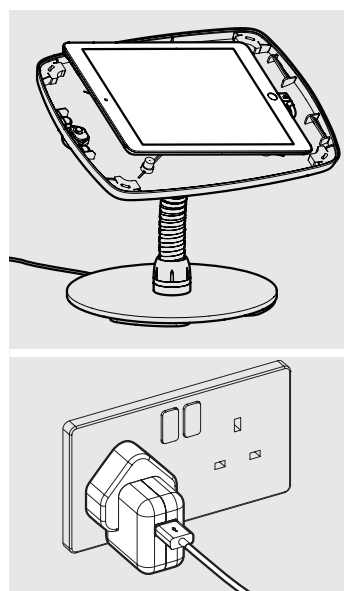
**3** Unlock & remove the Faceplate from the Bouncepad Case.



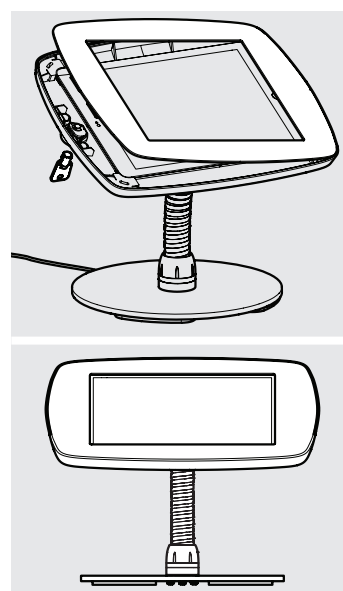
**4** Install the Tablet Setup Kit. Each kit is specific per tablet device and Bouncepad Case.



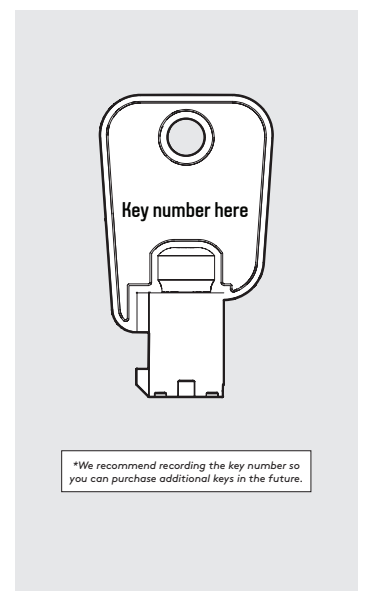
**5** Feed the tablet cable through the Bouncepad Case & mounting arm



**6** Place the tablet into the Case and connect to power.



**6** Locate and lock the Faceplate onto the Bouncepad Case.



**7** Installation is now complete.