

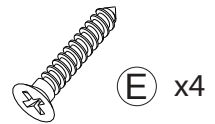
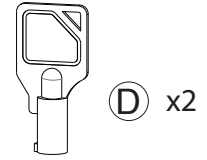
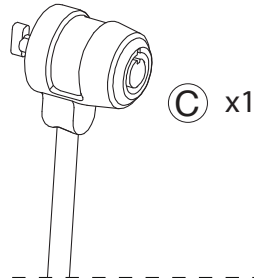
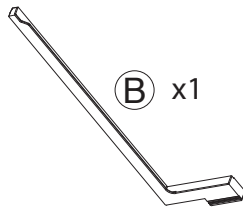
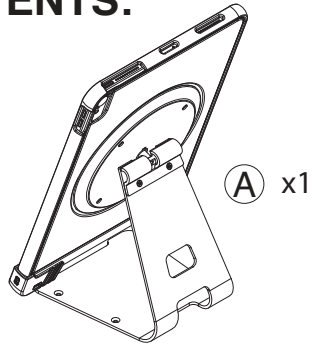


Anti-Theft Security Case with Stand

PAD-ASCS10W

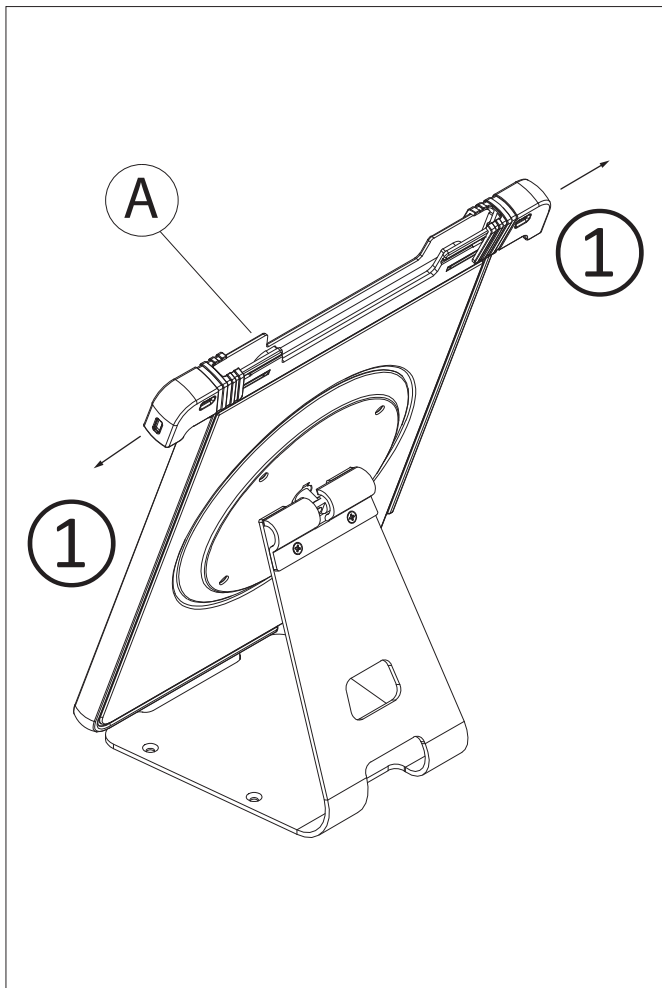
INSTRUCTION - MANUAL

CONTENTS:

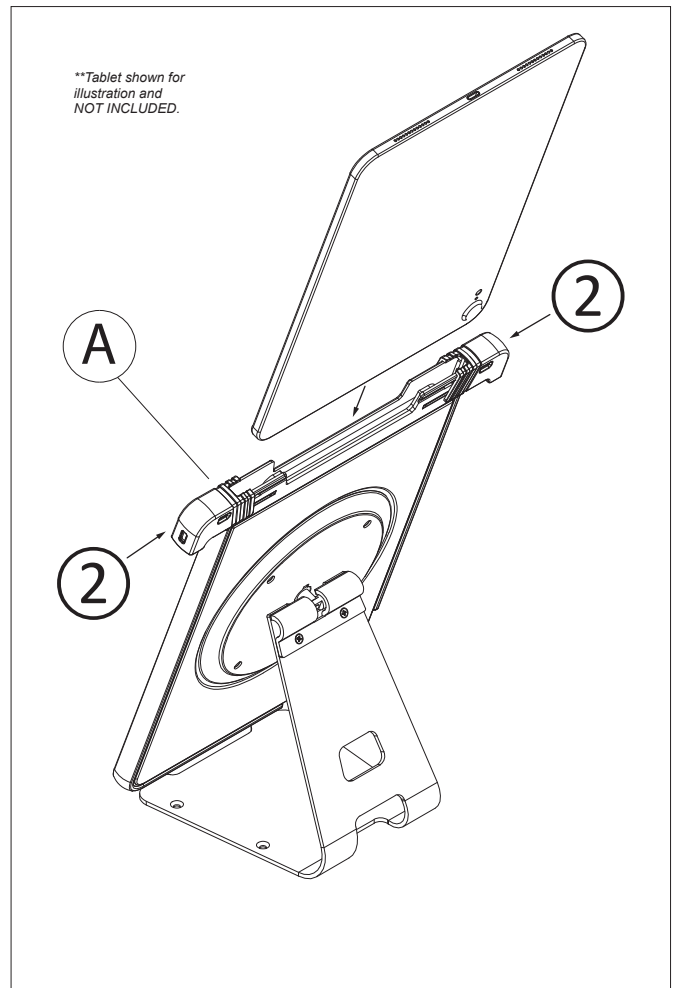


INSTALLATION:

1. How to Open/Close Holder and Insert Tablet

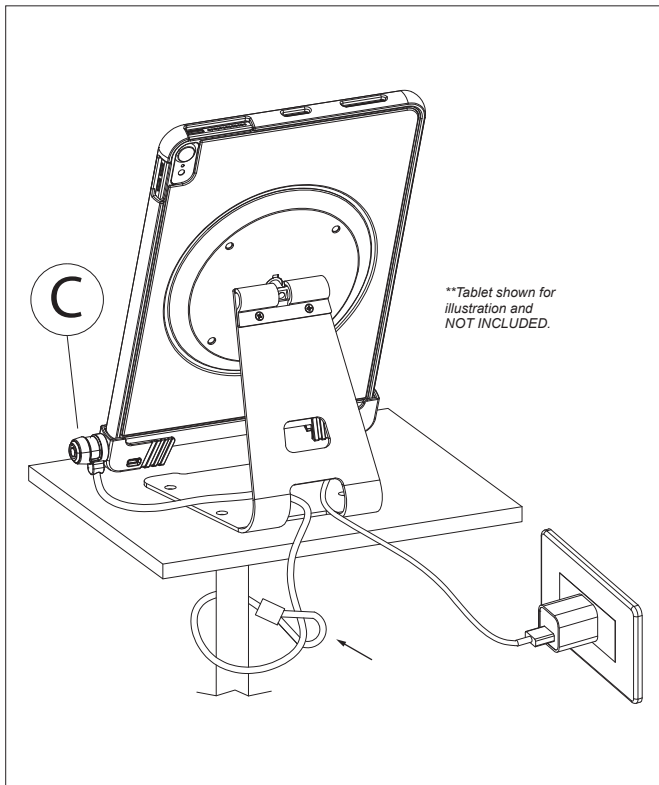


1A. Locate at the bottom of the case (A) the open/close component and slide outwards to open up the case.

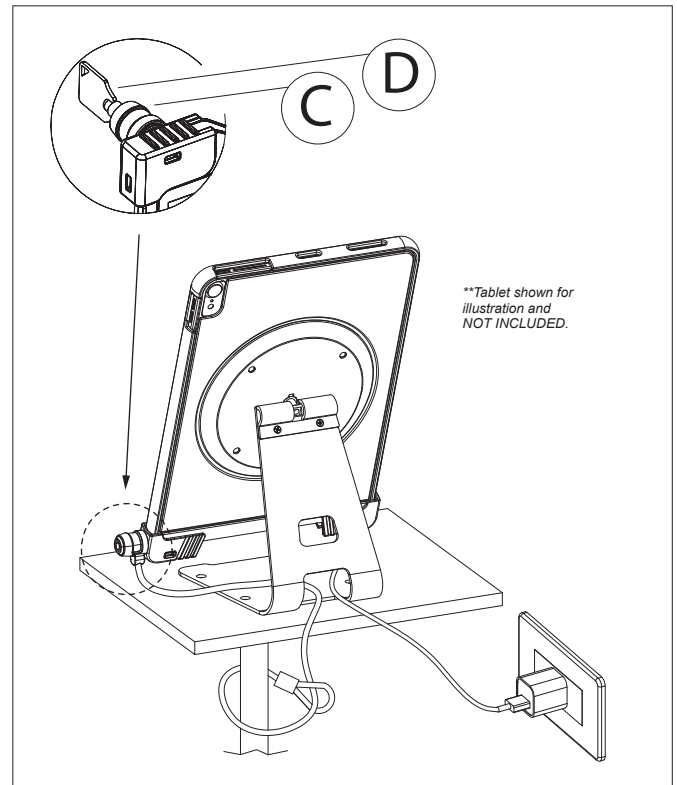


1B. Slide in your tablet device. Then, slide back inwards the open/close component to close off the case (A).

2. How to Setup Anti-Theft Security Cable



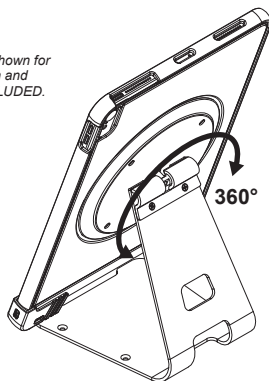
2A. Anchor the one end of the cable lock (C) by looping it around an immovable object.



2B. With the side of the cable lock (C), find the slot hole on the perimeter of the open/close component of the case (A) and insert. Turn the key (D) to lock and the opposite direction to unlock to the case (A).

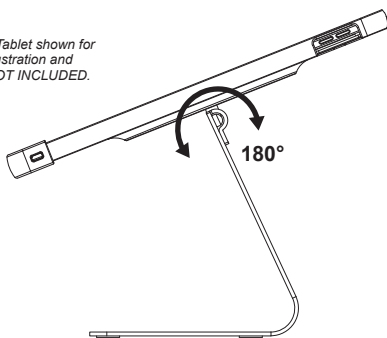
Stand Adjustability

****Tablet shown for illustration and NOT INCLUDED.**



360° case rotation capability. Adjust the orientation to the preferred view.

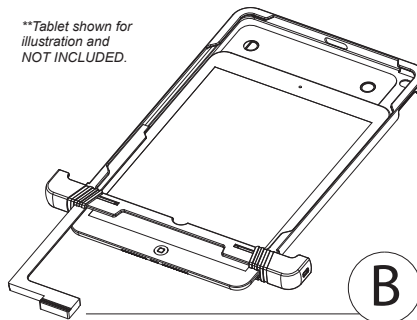
****Tablet shown for illustration and NOT INCLUDED.**



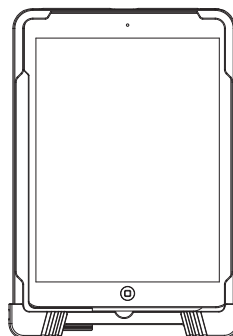
180° tilting capability. Adjust the joint rotation to the preferred angle.

Setting up for Smaller Tablet Devices

****Tablet shown for illustration and NOT INCLUDED.**



If using smaller tablets, insert the L-shaped adapter (B) into the left side of the opened tablet enclosure.

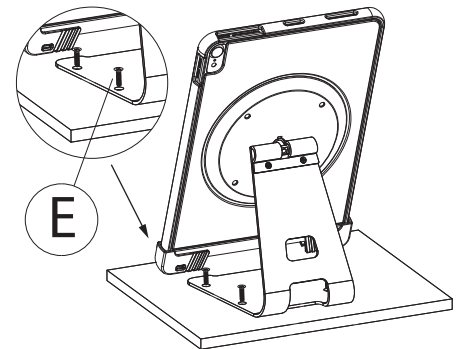


****Tablet shown for illustration and NOT INCLUDED.**

Then, tighten arm brackets to snugly hold the tablet in place.

(Optional) Anchoring Base to Surface

****Tablet shown for illustration and NOT INCLUDED.**



Using the provided component (E), securely fasten the base into the surface.

WARNING

While rotating the tablet, be careful of entwined cables.

