

# CEN-ODT-C-POE

## Dual-Technology Occupancy Sensor, PoE, 2,000 Sq Ft



- *Ceiling-mount occupancy sensor*
- *Dual-technology motion detection*
- *360 degree coverage pattern*
- *2,000 sq ft coverage area*
- *Discreet, low-profile appearance*
- *Accurate and reliable motion sensing*
- *Crestron XiO Cloud™ service integration*
- *Enterprise-grade security*
- *Enhances the functionality of AV, lighting, and building management systems*
- *Communicates via Power-over-Ethernet (PoE)*

The Crestron® CEN-ODT-C-POE is a low-profile, ceiling-mounted occupancy sensor that features passive infrared (PIR) and ultrasonic (US) motion detection technology.

The CEN-ODT-C-POE is designed for areas up to 2,000 square feet, making it great for use in large spaces such as auditoriums, warehouses, and building lobbies. It is an effective solution for reducing energy consumption and enhancing the functionality of lighting and environmental systems.

A single-wire Ethernet connection allows the CEN-ODT-C-POE to report to the Crestron XiO Cloud™ service when no control system is in place. Crestron XiO Cloud integration allows for device configuration, occupancy status reporting, and online/offline status.

### Dual-Technology Occupancy Sensing

Achieving consistent and dependable occupancy sensing is accomplished using a combination of ultrasonic (US) and passive infrared (PIR) sensing technologies. Ultrasonic motion detection is highly sensitive to small movements over a large area, while passive infrared sensing ensures superior immunity to false triggers from vibrations, inanimate objects, or movement in an adjacent corridor.

Ultrasonic motion detection can be turned on for Side A, Side B, or both sides of the occupancy sensor to avoid false occupancy readings when the sensor is facing a hallway or doorway. The CEN-ODT-C-POE provides independent sensitivity adjustment for each sensor type for optimum performance in any space.

### Crestron XiO Cloud™ Service

The CEN-ODT-C-POE is compatible with the Crestron XiO Cloud™ service, which is an IoT (Internet of Things) based platform for remotely provisioning, monitoring, and managing Crestron devices across an enterprise or an entire client base. Built on the Microsoft® Azure® software platform and utilizing Microsoft's industry leading Azure IoT Hub technology, Crestron XiO Cloud enables installers and IT managers to deploy and manage thousands of devices in the time it previously took to manage just one. Unlike other virtual machine based cloud solutions, Azure services provide unlimited scalability to suit the ever growing needs of an enterprise. For more information, visit [www.crestron.com/xiocloud](http://www.crestron.com/xiocloud).

### Enterprise-Grade Security

Crestron employs enterprise-grade networking with robust security features such as 802.1X authentication, TLS encryption, HTTPS connectivity, and Active Directory® service integration. These features are imperative to protect your network against service interruptions and malicious intrusions, and to ensure compliance with your organization's network policies. Cloud-based provisioning and management streamlines the process of configuring, monitoring, and updating every device on the network. Additional support for SNMP allows Crestron devices to be monitored by your IT administrator alongside other devices on the network.

# CEN-ODT-C-POE

## Dual-Technology Occupancy Sensor, PoE, 2,000 Sq Ft

### Walk-Through Mode

Walk-through mode prevents the lights from remaining on for a long period when someone quickly enters and then leaves a room. The sensor enters walk-through mode when it detects occupancy for less than 90 seconds. When walk-through mode is activated, the sensor indicates that the room is vacant after 60 seconds.

### Grace Occupancy Feature

When the lights turn off in a room programmed to vacancy only mode, a 15-second grace period starts during which the room lights can be turned on again by simply waving a hand to trigger the sensor.

### Versatile Installation

The CEN-ODT-C-POE achieves a discreet, nearly hidden appearance when installed on a typical drywall or droptile ceiling. Hardware is included for fast and simple mounting in a standard 4-in. octagon box or in a hole created with the help of the provided cutout template.

### Power over Ethernet

Using PoE technology (802.3af), the CEN-ODT-C-POE gets its operating power through the LAN wiring from a PoE power source ([PWE-4803RU](#), [CEN-SW-POE-5](#), or [CEN-SWPOE-16](#), all sold separately).

## Specifications

### Sensing

<b>Motion Detection Technology</b>	Passive infrared (PIR) motion detection; Ultrasonic (US) (40 kHz)
<b>Coverage Area</b>	2,000 sq ft
<b>Coverage Pattern</b>	360 degrees

### LED Indicators

<b>PIR</b>	(1) Red LED; Lights to indicate PIR detection
<b>Ultrasonic</b>	(1) Green LED; Lights to indicate ultrasonic detection
<b>NET</b>	(1) Yellow LED; Indicates no LAN connection to the host
<b>Power/Firmware</b>	(1) Yellow/green bi-color LED, hidden behind cover during normal operation; Indicates power and firmware status; LED lights yellow if the firmware fails to load; LED lights green when the device is operating normally
<b>Setup</b>	(1) Blue LED; Lights to indicate an identify command sent by host

### Controls

<b>SETUP</b>	(1) Pushbutton located behind the front cover; Press to acknowledge an identify command sent by the host; Press and hold for 7 seconds to reset the device
--------------	--

### Connections

<b>RJ-45</b>	(1) 8-wire RJ-45, female; 10/100 Ethernet port; IEEE 802.3af
<b>G</b>	(1) 6-32 screw, chassis ground lug

### Power Requirements

<b>Power over Ethernet</b>	IEEE 802.3af PoE Powered Device; 4 W max
----------------------------	--

### Environmental

<b>Temperature</b>	32° to 104° F (0° to 40° C)
<b>Humidity</b>	10% to 90% RH (noncondensing)

# CEN-ODT-C-POE

## Dual-Technology Occupancy Sensor, PoE, 2,000 Sq Ft

### Construction

---

<b>Housing</b>	Plastic, white
<b>Mounting</b>	Mounts to a 4 in. (102 mm) octagon box or 3-1/2 in. (88 mm) diameter hole created by provided cutout template; Includes mounting screws and integral toggle clamps; A 2-1/8 in. (54 mm) minimum mounting depth is recommended

### Dimensions

---

<b>Diameter</b>	4.80 in. (122 mm)
<b>Depth</b>	3.19 in. (81 mm) overall; Projects 0.97 in. (25 mm) from the surface when installed

### Weight

---

0.53 lb (240 g)

### Compliance

---

UL60730-1, FCC, CE, C-Tick, IC, Plenum Rated;  
Regulatory Model: M2001903001

### Models

**CEN-ODT-C-POE**  
Dual-Technology Occupancy Sensor, PoE, 2,000 Sq Ft

### Available Accessories

**PWE-4803RU**

PoE Injector

**CEN-SW-POE-5**

5-Port PoE Switch

**CEN-SWPOE-16**

16-Port Managed PoE Switch

This product may be purchased from select authorized Crestron dealers and distributors. To find a dealer or distributor, please contact the Crestron sales representative for your area. A list of sales representatives is available online at [www.crestron.com/How-To-Buy/Find-a-Representative](http://www.crestron.com/How-To-Buy/Find-a-Representative) or by calling 855-263-8754.

This product is covered under the Crestron standard limited warranty. Refer to [www.crestron.com/warranty](http://www.crestron.com/warranty) for full details.

The specific patents that cover Crestron products are listed online at [patents.crestron.com](http://patents.crestron.com).

Certain Crestron products contain open source software. For specific information, please visit [www.crestron.com/opensource](http://www.crestron.com/opensource).

Crestron, the Crestron logo, and Crestron XiO Cloud are either trademarks or registered trademarks of Crestron Electronics, Inc. in the United States and/or other countries. Other trademarks, registered trademarks, and trade names may be used in this document to refer to either the entities claiming the marks and names or their products. Crestron disclaims any proprietary interest in the marks and names of others. Crestron is not responsible for errors in typography or photography.

Specifications are subject to change without notice.

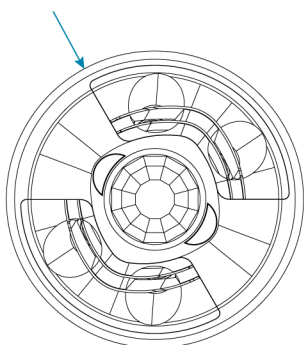
©2019 Crestron Electronics, Inc.

Rev 11/11/19

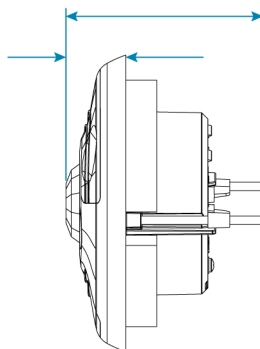
# CEN-ODT-C-POE

## Dual-Technology Occupancy Sensor, PoE, 2,000 Sq Ft

Ø 4.80 in.  
(122 mm)



0.97 in.  
(25 mm)



3.19 in.  
(81 mm)

