

QND-6082R/6072R

2MP Network IR Dome Camera

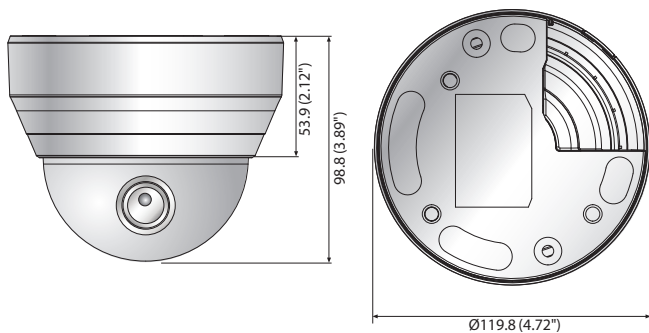


Key Features

- Max. 2megapixel (1920 x 1080) resolution
- 0.095Lux (Color), 0Lux (B/W, IR LED on)
- 3.2 ~ 10mm (3.1x) varifocal lens
- Max. 30fps@2M all resolutions (H.265/H.264)
- H.265, H.264, MJPEG codec supported, Multiple streaming
- Motion detection, Tampering, Defocus detection
- Hallway view (90°/270°), LDC support
- Micro SD/SDHC/SDXC memory slot (Max. 128GB)
- IR viewable length 20m, PoE/12VDC

Dimensions

Unit : mm (inch)



Accessories (Optional)



	QND-6082R	QND-6072R
VIDEO		
Imaging Device	1/2.8" 2MP CMOS	
Effective Pixels	1920(H) x 1080(V)	
Min. Illumination	Color : 0.095Lux (F1.6, 1/30sec) BW : 0Lux (IR LED on)	
Video Out	CVBS : 1.0Vp-p / 75Ω composite, 720 x 480(N), 720 x 576(P) for installation	
LENS		
Focal Length (Zoom Ratio)	3.2~10mm(3.1x) motorized varifocal	3.2~10mm(3.1x) manual varifocal
Focus Control	Simple focus	Manual
PAN / TILT / ROTATE		
Pan / Tilt / Rotate Range	0°~350° / 0°~67° / 0°~355°	
OPERATIONAL		
IR Viewable Length	20m (65.62ft)	
Camera Title	Displayed up to 85 characters	
Day & Night	Auto (ICR)	
Backlight Compensation	BLC, WDR, SSSDR	
Wide Dynamic Range	120dB	
Digital Noise Reduction	SSNR	
Motion Detection	4ea, polygonal zones	
Privacy Masking	6ea, rectangular zones	
Gain Control	Low / Middle / High	
White Balance	ATW / AWC / Manual / Indoor / Outdoor	
LDC	Support	
Electronic Shutter Speed	Minimum / Maximum / Anti flicker (1/5~1/12,000sec)	
Video Rotation	Flip, Mirror, Hallway view (90°/270°)	
Analytics	Defocus detection, Directional detection, Motion detection, Enter/Exit, Tampering, Virtual line	
Alarm I/O	Input 1ea / Output 1ea	
Alarm Triggers	Analytics, Network disconnect, Alarm input	
Alarm events	File upload via FTP and e-mail Notification via e-mail SD/SDHC/SDXC or NAS recording at event triggers Alarm output	
Audio In	Built-in mic	
NETWORK		
Ethernet	RJ-45 (10/100BASE-T)	
Video Compression	H.265/H.264 : Main/High, MJPEG	
Resolution	1920 x 1080, 1280 x 960, 1280 x 720, 800 x 600, 800 x 448, 720 x 576, 720 x 480, 640 x 480, 640 x 360	
Max. Framerate	H.265/H.264 : Max. 30fps/25fps (60Hz/50Hz) MJPEG : Max. 15fps/12fps (60Hz/50Hz)	
Smart Codec	WiseStream II	
Video Quality Adjustment	H.264/H.265 : Target bitrate level control MJPEG : Quality Level control	
Bitrate Control	H.264/H.265 : CBR or VBR MJPEG : VBR	
Streaming	Unicast (6 users) / Multicast Multiple streaming (Up to 3 profiles)	
Audio Compression	G.711 u-law / G.726 Selectable G.726 (ADPCM) 8KHz, G.711 8KHz G.726 : 16Kbps, 24Kbps, 32Kbps, 40Kbps	
Protocol	IPv4, IPv6, TCP/IP, UDP/IP, RTP(UDP), RTP(TCP), RTCP, RTSP, NTP, HTTP, HTTPS, SSL/TLS, DHCP, FTP, SMTP, ICMP, IGMP, SNMPv1/v2c/v3(MIB-2), ARP, DNS, DDNS, QoS, UPnP, Bonjour, LLDP	

	QND-6082R	QND-6072R
Security	HTTPS (SSL) login authentication, Digest login authentication, IP address filtering, User access log, 802.1X authentication (EAP-TLS, EAP-LEAP)	
Edge Storage	Micro SD/SDHC/SDXC 1slot 128GB	
Application Programming Interface	ONVIF Profile S/G/T SUNAPI (HTTP API) Wisenet open platform	
Webpage Language	English, Korean, Chinese, French, Italian, Spanish, German, Japanese, Russian, Swedish, Portuguese, Czech, Polish, Turkish, Dutch, Hungarian, Greek	
Web Viewer	Supported OS : Windows 7, 8.1, 10, Mac OS X 10.12, 10.13, 10.14 Recommended Browser : Google Chrome Supported Browser : MS Explorer11, MS Edge, Mozilla Firefox(Windows 64bit only), Apple Safari(Mac OS X only)	
Memory	512MB RAM, 256MB Flash	
ENVIRONMENTAL		
Operating Temperature / Humidity	-10°C ~ +55°C (+14°F ~ +131°F) / Less than 90% RH	
Storage Temperature / Humidity	-30°C ~ +60°C (-22°F ~ +140°F) / Less than 90% RH	
ELECTRICAL		
Input Voltage	PoE (IEEE802.3af, Class3), 12VDC	
Power Consumption	PoE : Max 7.7W, typical 6W 12VDC : Max 6.5W, typical 5.1W	
MECHANICAL		
Color / Material	White / Plastic	
RAL Code	RAL9003	
Product dimensions / weight	Ø119.8 x 98.8mm (Ø4.72 x 3.89"), 320g (0.705 lb)	

* The latest product information / specification can be found at hanwha-security.com

* Design and specifications are subject to change without notice.

* Wisenet is the proprietary brand of **Hanwha Techwin**.