

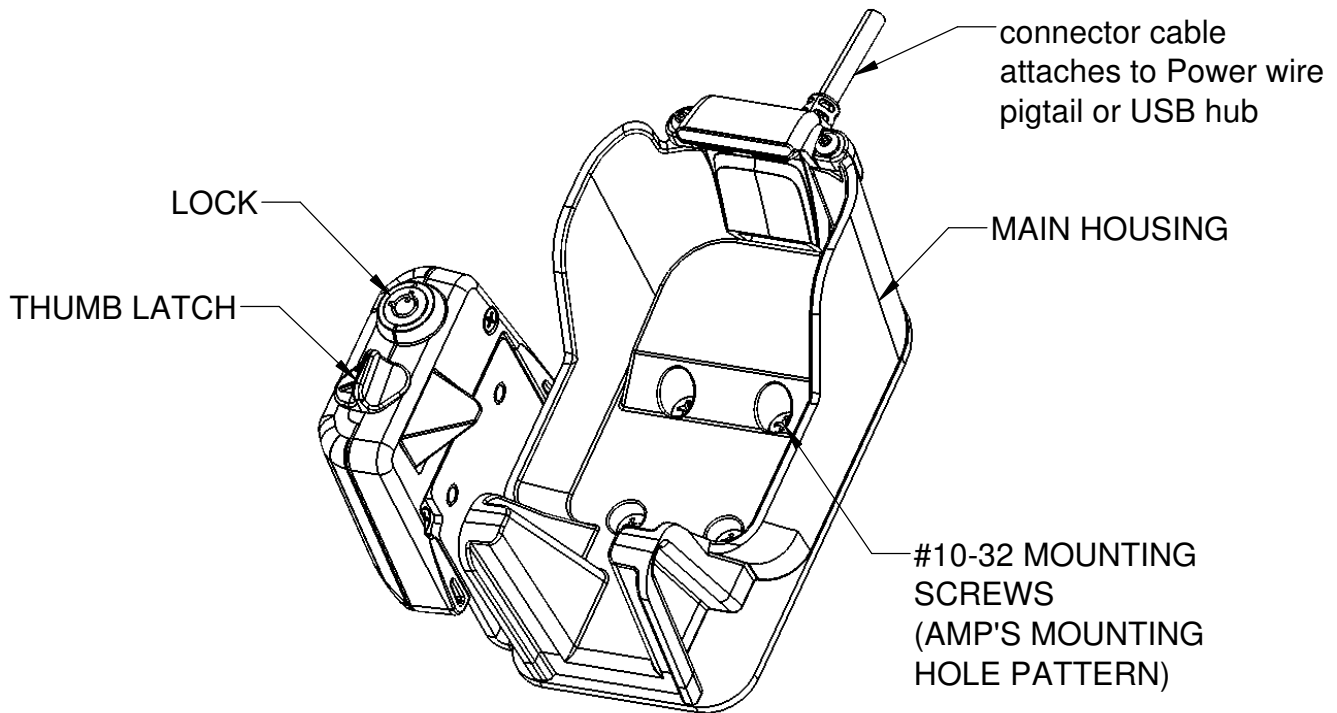


# INSTALLATION INSTRUCTIONS

<b><u>Product</u></b> 7160-1277, -01, & -02 TC8000 docking station and cradle	<b><u>Revision</u></b> Rev A	<b><u>Form</u></b> INST-923  <b>Printing Spec:</b> PS-001
---	---------------------------------	--

This instruction sheet is for the Zebra TC8000 docking station and cradle only. For instructions on features, set-up, and operation of the Zebra TC8000 handheld computer, please refer to the manual provided by Zebra with the computer.

This docking station is designed to be used with a variety of Gamber-Johnson mounting systems. Installation instructions for other Gamber-Johnson products are provided with each individual product.



#### Product Mounting Disclaimer

Gamber-Johnson is not liable under any theory of contract or tort law for any loss, damage, personal injury, special, incidental or consequential damages for personal injury or other damage of any nature arising directly or indirectly as a result of the improper installation or use of its products in vehicle or any other application. In order to safely install and use Gamber-Johnson products full consideration of vehicle occupants, vehicle systems (i.e., the location of fuel lines, brake lines, electrical, drive train or other systems), air-bags and other safety equipment is required. Gamber-Johnson specifically disclaims any responsibility for the improper use or installation of its products not consistent with original vehicle manufactures specifications and recommendations, Gamber-Johnson product instruction sheets, or workmanship standards as endorsed through the Gamber-Johnson Certified Installer Program.

© Copyright 2019 Gamber-Johnson, LLC

If you need assistance or have questions, call Gamber-Johnson at 1-800-456-6868

# PRE-INSTALLATION RECOMMENDATIONS

## Conduct a "Bench Test"

Gamber-Johnson strongly advises a "bench test" be conducted to verify all electronic and software issues are resolved prior to installation:

1. Make sure the computer is operational by itself.
2. Insert computer into the docking station and verify that the computer is operating in the dock and battery is charging.

*Gamber-Johnson recommends positioning of all mounts and equipment in the vehicle prior to the actual install to verify that mounting locations are safe and practical.*

## IMPORTANT SAFETY INFORMATION FOR INSTALLERS

Safety is dependent on the proper installation and servicing of this docking station. It is important to read and follow all instructions before installing this product.

To properly install a Gamber-Johnson docking station you must have a good understanding of automotive electrical procedures and systems, along with proficiency in the installation and service of aftermarket vehicle equipment.

There are no adjustments required at any time of the electrical components within the docking station. **Opening the docking station will void the product warranty.**

### During Installation:

**DO NOT** connect this docking station to the vehicle battery until:

1. All other electrical connections are made
2. Mounting of all components is complete
3. Verification that no shorts exist in the entire system

**DO NOT** install equipment or route wiring or cords in the deployment path of any air bag.

When drilling into the vehicle, DO make sure that both sides of the surface are clear of anything that could be damaged.

**CAUTION:** *If wiring is shorted to the frame, high current conductors can cause hazardous sparks resulting in electrical fires or flying molten metal.*

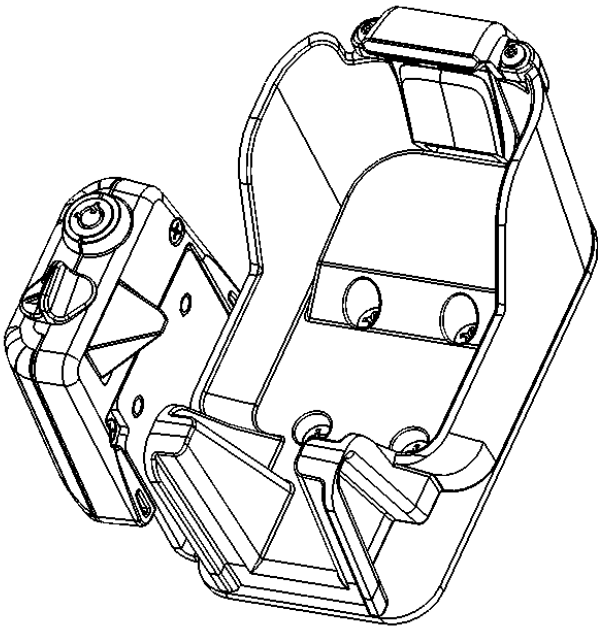
### After installation:

Test the docking station to ensure that it is working properly.

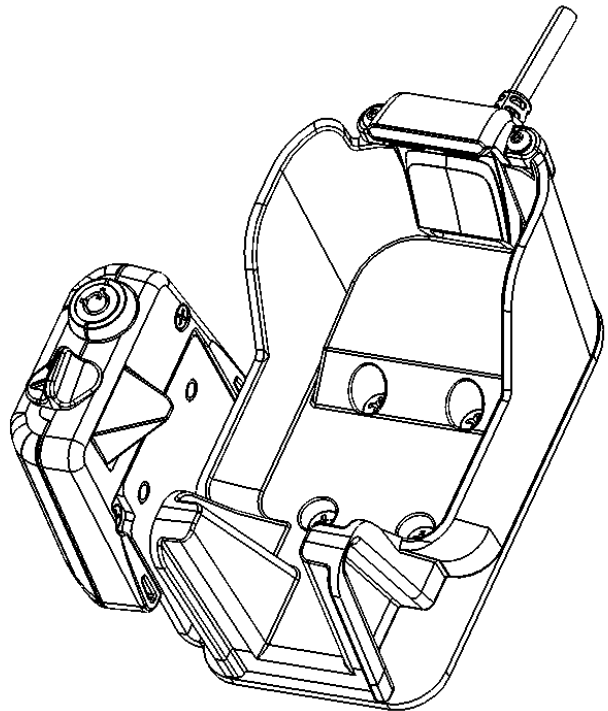
File these instructions in a safe place and refer to them when performing maintenance or re-installing.

**WARNING:** *Failure to follow all safety precautions and instructions may result in property damage, serious injury, or death.*

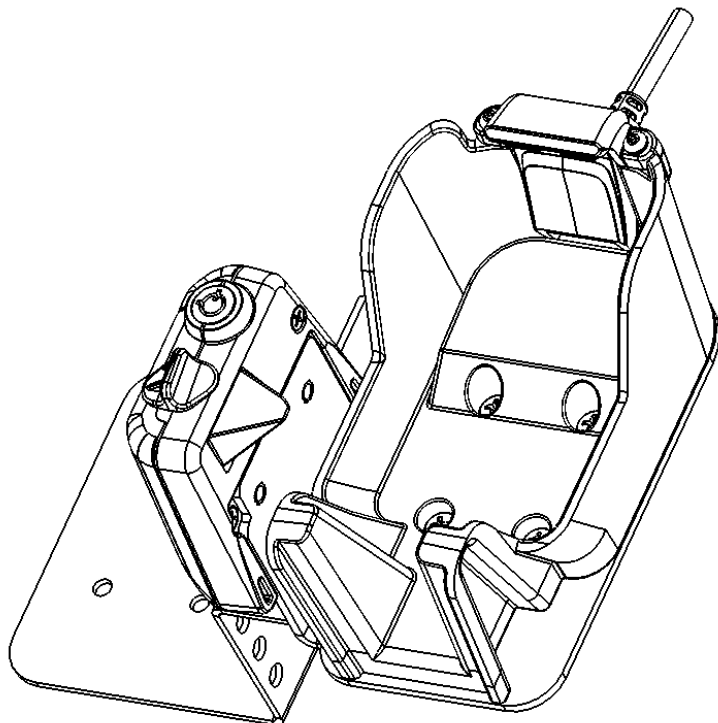
## TC8000 Dock Options



7160-1277  
Non Powered Cradle



7160-1277-01  
Power Only Cradle  
Attach the power wire pigtail (7100-0445) to the connector cable. Then plug the 5Vdc output power supply into the power wire pigtail and secure with electrical tape.

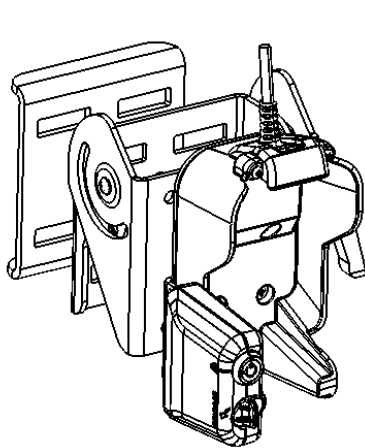
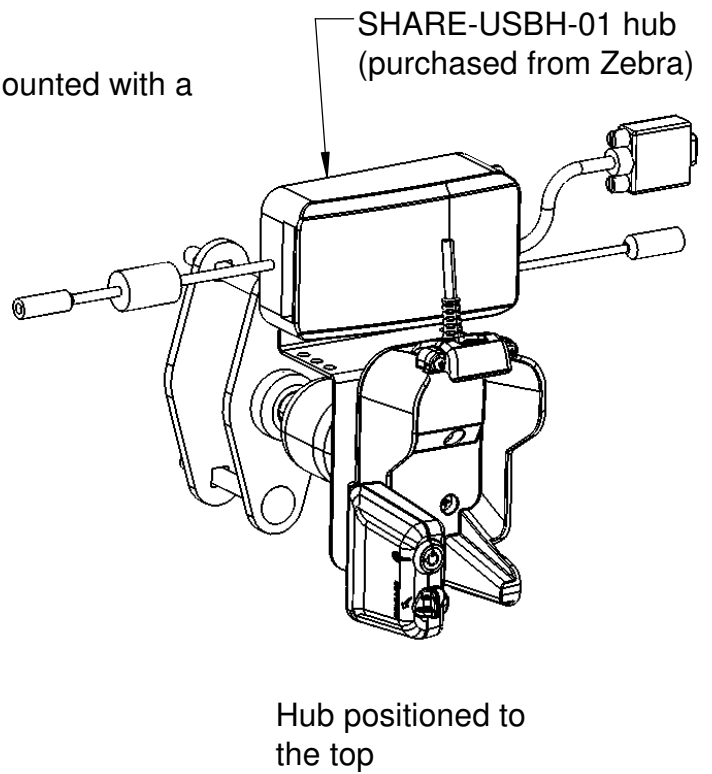
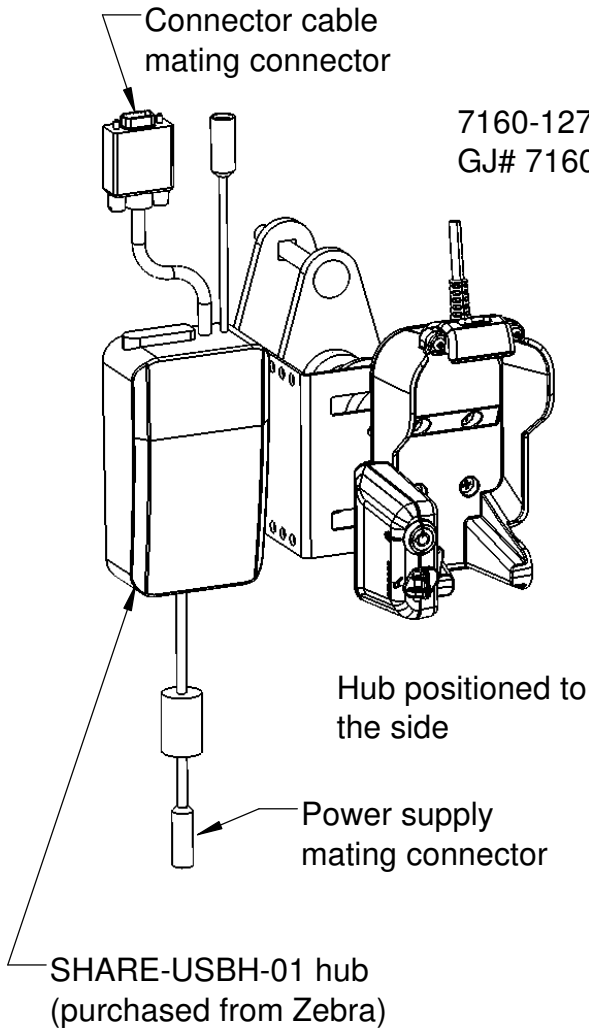


7160-1277-02  
Dock to be used in conjunction with the Zebra USB hub #SHARE-USBH-01 (purchased separately from Zebra). Attach the connector cable to the USB hub and the 12-24Vdc output power supply to the USB hub and secure with electrical tape.

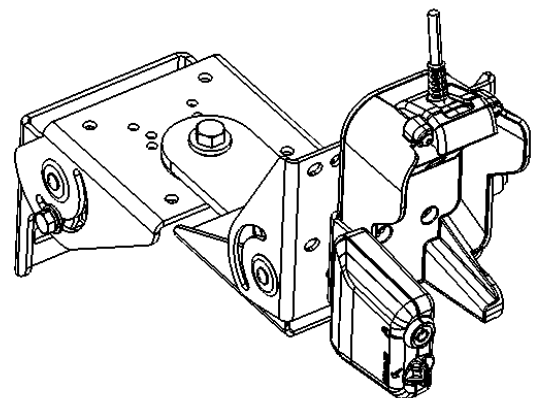
GJ# 16411 = 12-32Vdc input  
GJ# 16412 = 20-60Vdc input  
GJ# 16515 = 72-110Vdc input

## TC8000 Mounting Options

The TC8000 docking station has the AMP's (30mm x 38mm) hole pattern.



7160-1277-01 - Mounted with a GJ# 7160-0357



7160-1277-01 - Mounted with a GJ# 7160-0420

## Docking and Undocking the Computer



Hold the scanner as shown above with your fingers below the trigger.



Place the top end of the scanner into the dock at approx. a 45 deg. angle Push upward until it hits the top inside edge where the pins are located.



Lower the handle portion of the scanner into the dock until the spring loaded latch pops over the front surface to hold it in place.



To remove the scanner, push the thumb latch to the left and pull outward on the scanner handle.

# Regulatory Certification Information

Regulatory Model #: 7160-1277

GJ Model #'s: 7160-1277, 7160-1277-01, 7160-1277-02

Descriptions: Dock-Zebra-TC8000 - Cradle Only  
Dock-Zebra-TC8000 - Power Only Cradle  
Dock-Zebra-TC8000 - Dock for use with USB Hub

## Certifications:

- EN 55032: 2012/AC: 2013
- EN 50498: 2010
- VCCI-CISPER 32: 2016
- AS/NZS CISPER 32: 2015
- FCC PART 15 B: CLASS B
- ICES-003: 2017
- EN 50498: 2010
- ISO 10605, SECTION 8, TABLE C.2
- ROHS: 50581: 2012 ROHS2 DIRECTIVE 2011/65/EU

This device complies with Part 15 of the FCC Rules. Operation is subject to the following two conditions. (1) this device may not cause harmful interference, and (2) this device must accept any interference received, including interference that may cause undesired operation.



Gamber-Johnson LLC, 3001 Borham Ave., Stevens Point, WI, 54481, USA, 715-344-3482