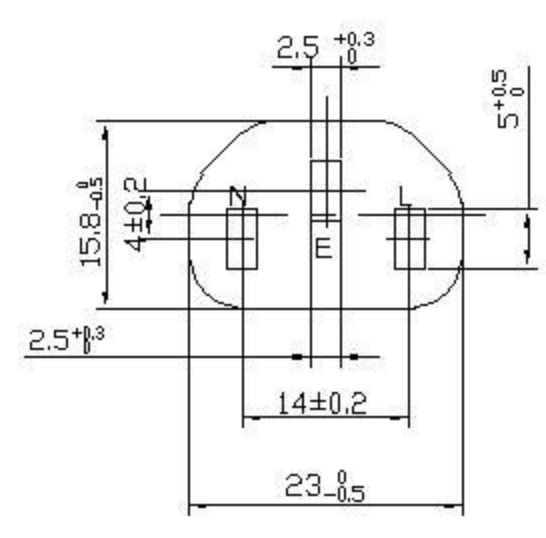
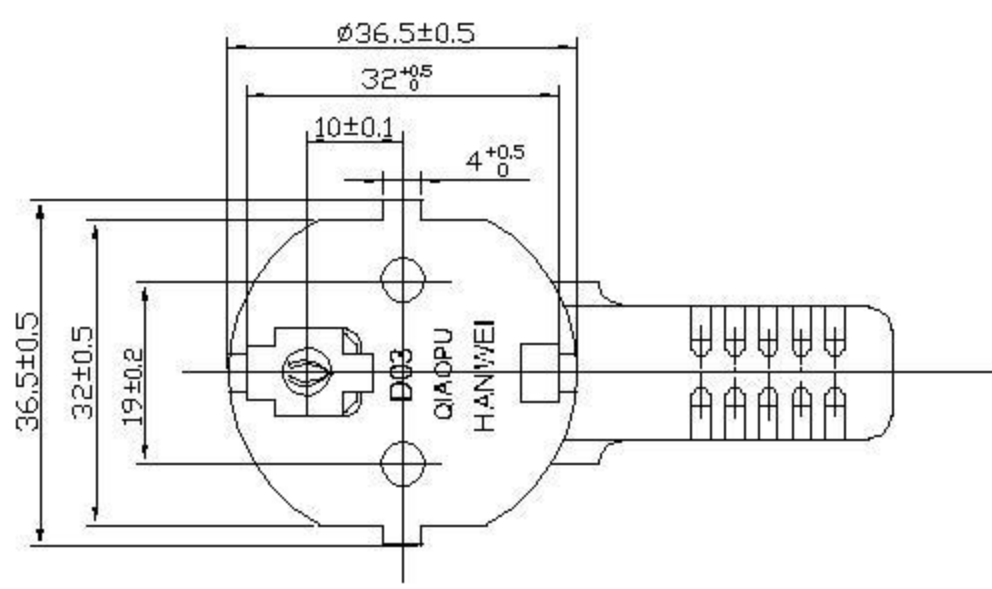
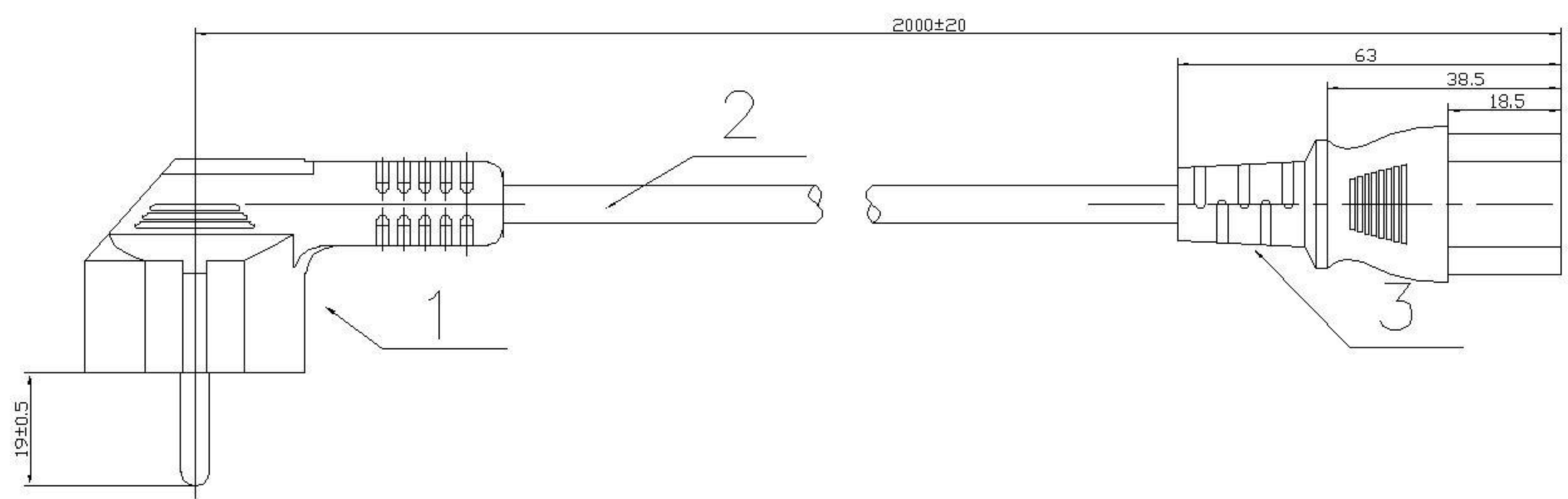


1	2	3	4	5	6	7	8		
					RevNo	Revision note	Date	Signature	Checked



3	1	QT3 10A 250V~	VDE	Designed by	Checked by	Approved by-date	Date	File name	Scale
2	1	Cable: H05VV-F 3G0.75mm ²		DESIGNED_BY	CHECKED_BY	APPROVED_BY_DATE	DATE	FILENAME	SCALE
1	1	D03 16A 250V~		VDE	420563 Black				
Itemref	Quantity	Title/Name, designation, material, dimension etc	VDE	Article No./Reference					
1	2	3	4	5	6	7	8	EDITION	SHEET