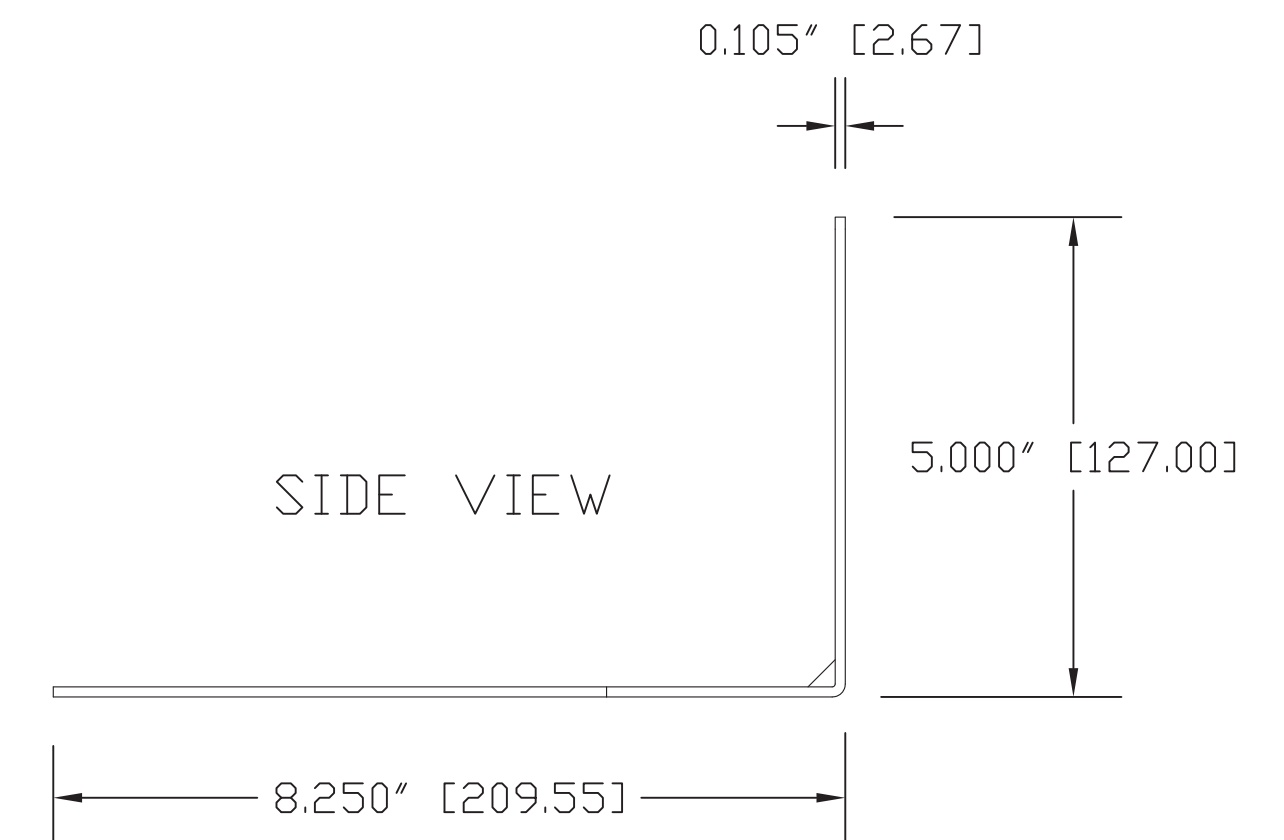
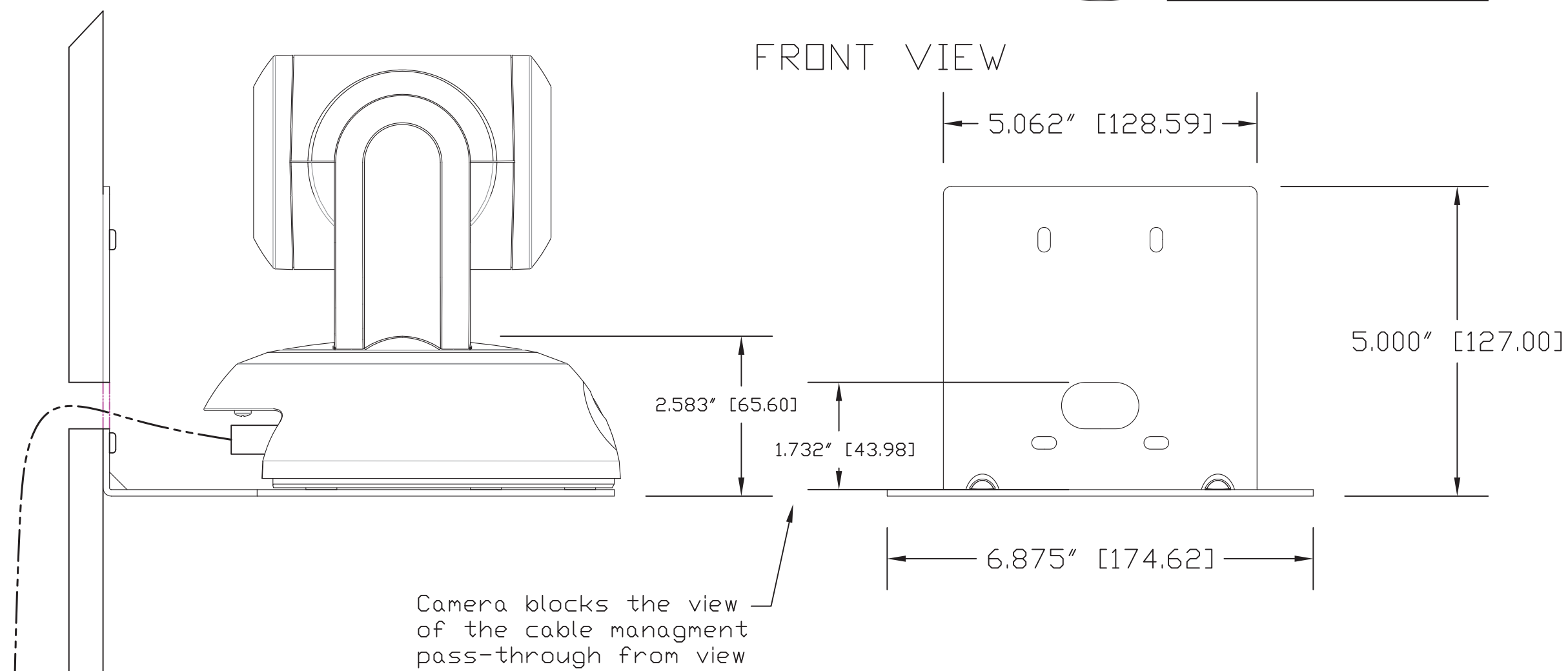
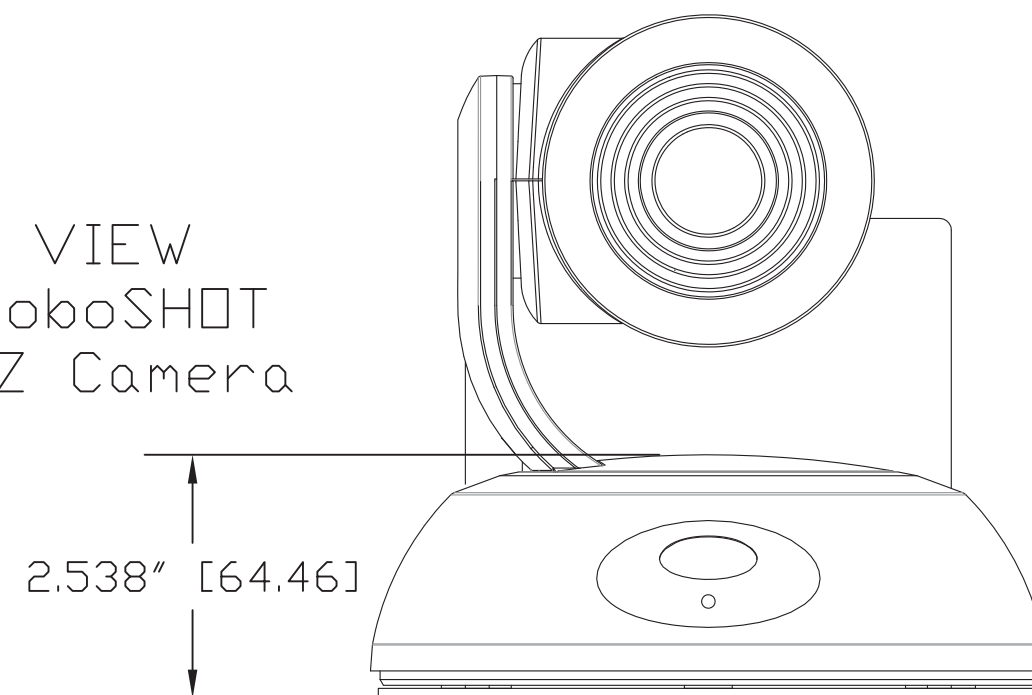


SIDE VIEW  
with RoboSHOT  
HD PTZ Camera



FRONT VIEW  
with RoboSHOT  
HD PTZ Camera



vaddio

GENERAL NOTES:  
DIMENSIONS ARE IN INCHES (mm) UNLESS OTHERWISE NOTED.  
DO NOT DISTRIBUTE WITHOUT EXPRESS WRITTEN PERMISSION  
OF VADDIO. DUE TO OUR CONTINUING EFFORTS TO ENHANCE  
OUR PRODUCTS, WE RESERVE THE RIGHT TO CHANGE  
SPECIFICATIONS WITHOUT PRIOR NOTICE OR OBLIGATION.

Thin Profile Mount for RoboSHOT Cameras

Mount PN: 535-2000-240

DRAWN RAR/SR	CHECKED	APPROVED RAR	DATE 10/06/2014 SD: 68228.9
-----------------	---------	-----------------	-----------------------------------

THIS DRAWING, INCLUDING ALL SUBJECT MATTERS INDICATED THERON OR DERIVED THEREFROM, HERETOFORE,  
COMPRISES PROPRIETARY INFORMATION AND IS THE EXPRESS PROPERTY OF VADDIO.  
All Rights Reserved - Copyright 2014

MATERIALS CRS 12-GAUGE PowderCoat C241-BK303	SCALE 1:2	DRAWING No. 2000-240	REV Rev A
COMMENTS Metallic Particle Regulator (MPR) - NOT INCLUDED	SIZE ANSI C		