



**Geist™**

Intelligent Rack Power Distribution Units

Installer/User Guide

Basic, Metered and Unit Monitored Upgradeable

The information contained in this document is subject to change without notice and may not be suitable for all applications. While every precaution has been taken to ensure the accuracy and completeness of this document, Vertiv assumes no responsibility and disclaims all liability for damages resulting from use of this information or for any errors or omissions. Refer to other local practices or building codes as applicable for the correct methods, tools, and materials to be used in performing procedures not specifically described in this document.

The products covered by this instruction manual are manufactured and/or sold by Vertiv. This document is the property of Vertiv and contains confidential and proprietary information owned by Vertiv. Any copying, use or disclosure of it without the written permission of Vertiv is strictly prohibited.

Names of companies and products are trademarks or registered trademarks of the respective companies. Any questions regarding usage of trademark names should be directed to the original manufacturer.

### **Technical Support Site**

If you encounter any installation or operational issues with your product, check the pertinent section of this manual to see if the issue can be resolved by following outlined procedures. Visit <https://www.VertivCo.com/en-us/support/> for additional assistance.

# TABLE OF CONTENTS

<b>1 Overview</b> .....	<b>1</b>
1.1 Environmental .....	1
1.2 Electrical .....	1
1.3 Networking .....	2
1.3.1 Ethernet .....	2
1.3.2 Protocols .....	2
1.3.3 User interfaces .....	2
1.4 Regulatory compliance .....	2
1.4.1 Underwriters Laboratories (UL) .....	2
1.4.2 Federal Communications Commission (FCC) .....	3
1.4.3 RoHS/WEEE .....	3
<b>2 Installation</b> .....	<b>5</b>
2.1 Mounting .....	5
2.1.1 Power Connection .....	17
2.1.2 U-lock Operation .....	17
<b>3 Setup</b> .....	<b>19</b>
3.1 Interchangeable Monitoring Device .....	19
3.1.1 Basic .....	19
3.1.2 Metered .....	19
3.1.3 Monitored .....	20
3.1.4 Enhanced Monitored .....	21
3.1.5 Rapid Spanning Tree Protocol (RSTP) .....	23
3.2 Network Setup .....	23
3.3 Web Interface .....	27
3.3.1 Home page .....	27
3.3.2 Sensors tab .....	29
3.3.3 System tab .....	32
<b>4 Appendices</b> .....	<b>43</b>
Appendix A: Technical Support .....	43
Appendix B: Visible Light Communication (VLC) .....	47
Appendix C: Vertiv Mobile App .....	49
Appendix D: Available Sensors .....	57
Appendix E: IMD Display Codes .....	59

This page intentionally left blank

# 1 OVERVIEW

The Geist™ Rack Power Distribution Unit (rPDU) gives data center managers the flexibility to install the intelligence required today, with the option to upgrade technology as needs evolve. From basic power to power monitoring, the rPDU product line adapts to a business' needs now and in the future.

To establish this upgrade path, Vertiv engineers took the robust rPDU design and incorporated an Interchangeable Monitoring Device (IMD). PDUs last for many years, and with the IMD design, businesses are able to upgrade their PDUs to newer monitoring technologies in the future without having to replace the entire rPDU. The hot-swappable IMD is changed out in a few simple steps, without interrupting power to critical servers.

## 1.1 Environmental

The operational environmental limits pertaining to temperature, humidity and elevation are as defined in the following tables.

**Table 1.1 Temperature Limits**

DESCRIPTION	MINIMUM	MAXIMUM
Operating	10°C (50°F)	60°C (140°F)
Storage	-40°C (-40°F)	70°C (158°F)

**Table 1.2 Humidity Limits**

DESCRIPTION	MINIMUM	MAXIMUM
Operating	5%	95% (non-condensing)
Storage	5%	95% (non-condensing)

**Table 1.3 Elevation Limits**

DESCRIPTION	MINIMUM	MAXIMUM
Operating	0 m (0 ft)	3,050 m (10,000 ft)
Storage	0 m (0 ft)	15,240 m (50,000 ft)

## 1.2 Electrical

Electrical product characteristics and performance are defined in the following table. Also, please see the product nameplate for additional rating limits.

**Table 1.4 Receptacle Ratings**

TYPE	RATINGS
NEMA 5-15R or L5-15R	125Vac, 12A
NEMA 5-20R or L5-20R	125Vac, 16A
NEMA 6-20R or L6-20R	250Vac, 16A
NEMA L5-30R	125Vac, 24A
NEMA L6-30R	250Vac, 24A
IEC-60320 C13	250Vac, 10A (UL & CSA 12A, 250Vac)
IEC-60320 C19	250Vac, 16A (UL & CSA 16A, 250Vac)

### 1.3 Networking

The product communications requirements are defined in the next sections.

#### 1.3.1 Ethernet

The Ethernet link speed for this product is: 10/100 Mb; full duplex.

#### 1.3.2 Protocols

The communications protocols supported by this product include: ARP, IPv4, IPv6, ICMP, ICMPv6, NDP, TCP, UDP, DNS, HTTP, HTTPS, SMTP, SMTPS, DHCP, SNMP (v1/v2c/v3) and Syslog.

#### 1.3.3 User interfaces

This product supports the following user interfaces: SNMP, Web GUI, and JSON API.

### 1.4 Regulatory compliance

Vertiv products are regulated for Safety, Emissions, and Environment Impact per the following agencies and policies.

#### 1.4.1 Underwriters Laboratories (UL)

UL Standards are used to assess products; test components, materials, systems and performance; and evaluate environmentally sustainable products, renewable energies, food and water products, recycling systems and other innovative technologies.

The UL standards specific to this equipment are as noted on the device nameplate.

## 1.4.2 Federal Communications Commission (FCC)

The Federal Communications Commission (FCC) regulates interstate and international communications by radio, television, wire, satellite, and cable in all 50 states, the District of Columbia and U.S. territories. An independent U.S. government agency overseen by Congress, the commission is the United States' primary authority for communications laws, regulation and technological innovation.

The FCC standards specific to this equipment are:

This Class A device complies with part 15 of the FCC Rules. Operation is subject to the following two conditions: (1) This device may not cause harmful interference, and (2) this device must accept any interference received, including interference that may cause undesired operation.

This Class A digital apparatus complies with Canadian ICES-003.

Cet appareil numérique de la classe A est conforme à la norme NMB-003 du Canada.



**WARNING! Changes or modifications to this unit not expressly approved by the party responsible for compliance could void the user's authority to operate this equipment.**

## 1.4.3 RoHS/WEEE

RoHS, also known as Lead-Free, stands for Restriction of Hazardous Substances. RoHS, also known as Directive 2002/95/EC, originated in the European Union and restricts the use of six hazardous materials found in electrical and electronic products. All applicable products in the EU market after July 1, 2006 must pass RoHS compliance. RoHS impacts the entire electronics industry and many electrical products as well.

WEEE stands for Waste from Electrical and Electronic Equipment. WEEE Directive 2002/96/EC mandates the treatment, recovery and recycling of electric and electronic equipment (90% ends up in landfills). All applicable products in the EU market must pass WEEE compliance and carry the "Wheellie Bin" sticker.

See product label for RoHS/WEEE compliance marks.

This page intentionally left blank



## 2 INSTALLATION

Using the images in the mounting section, install your rack PDU.

**NOTE:** Please visit <http://www.VertivCo.com/ComplianceRegulatoryInfo> for important safety information prior to installation.

To install your unit:

1. Using appropriate hardware, mount unit to rack.
2. Plug the rPDU into an appropriately-rated and protected branch-circuit receptacle.
3. Plug in the devices to be powered by the rPDU.
4. Turn on each device connected to the rPDU.

**NOTE:** Sequential power-up is recommended to avoid high inrush current.

### 2.1 Mounting

Optional brackets are sold separately.

Figure 2.1 Full-length brackets

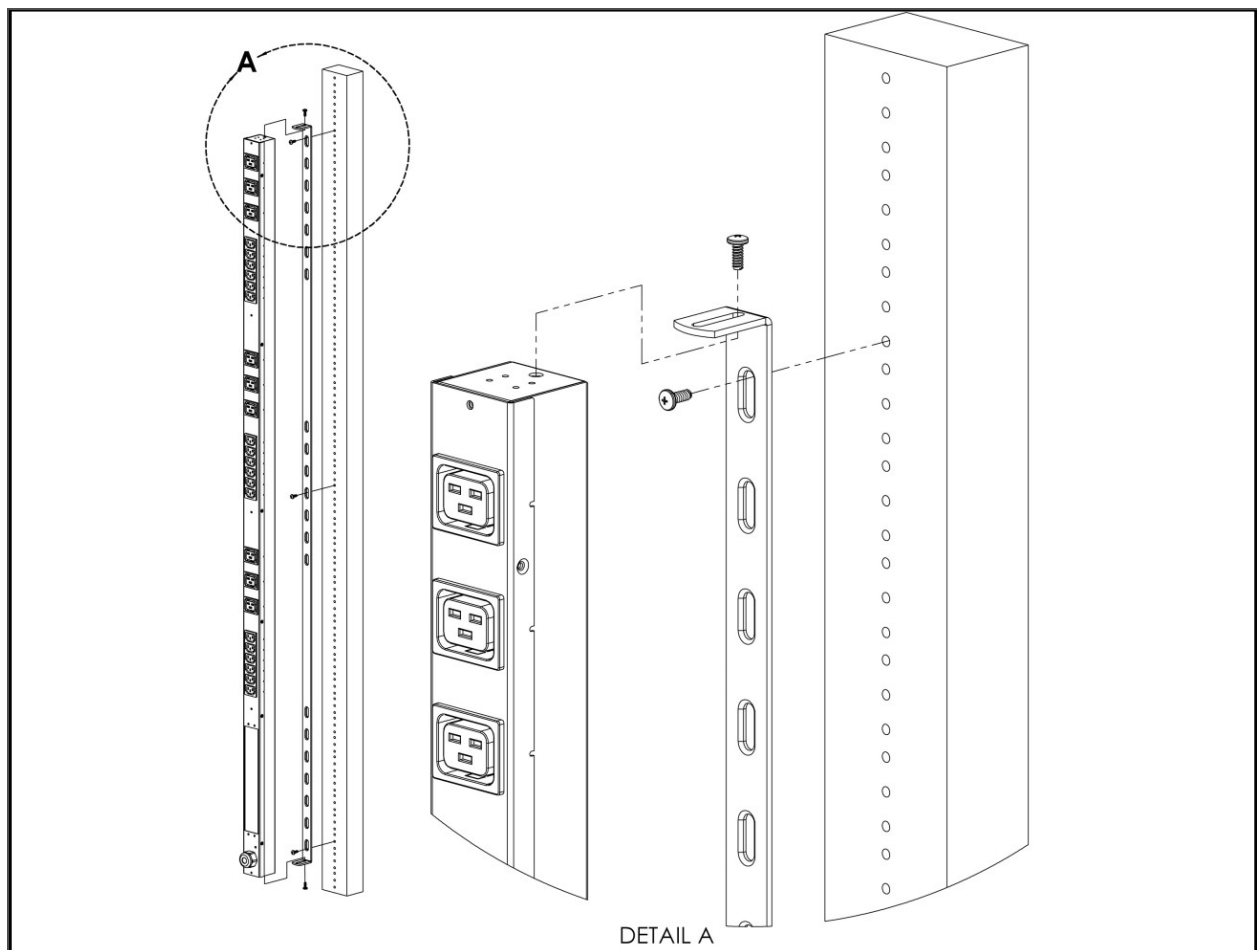


Figure 2.2 Mini L Brackets

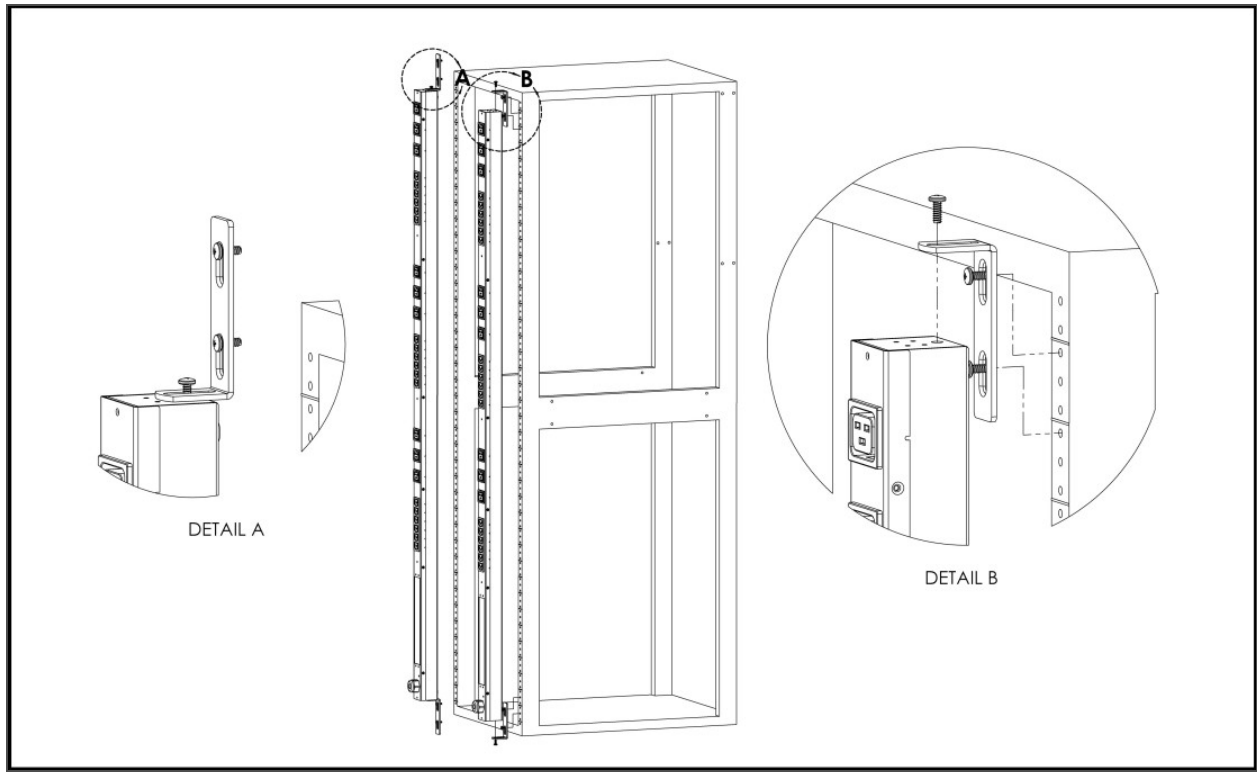


Figure 2.3 Vertical Extension Brackets

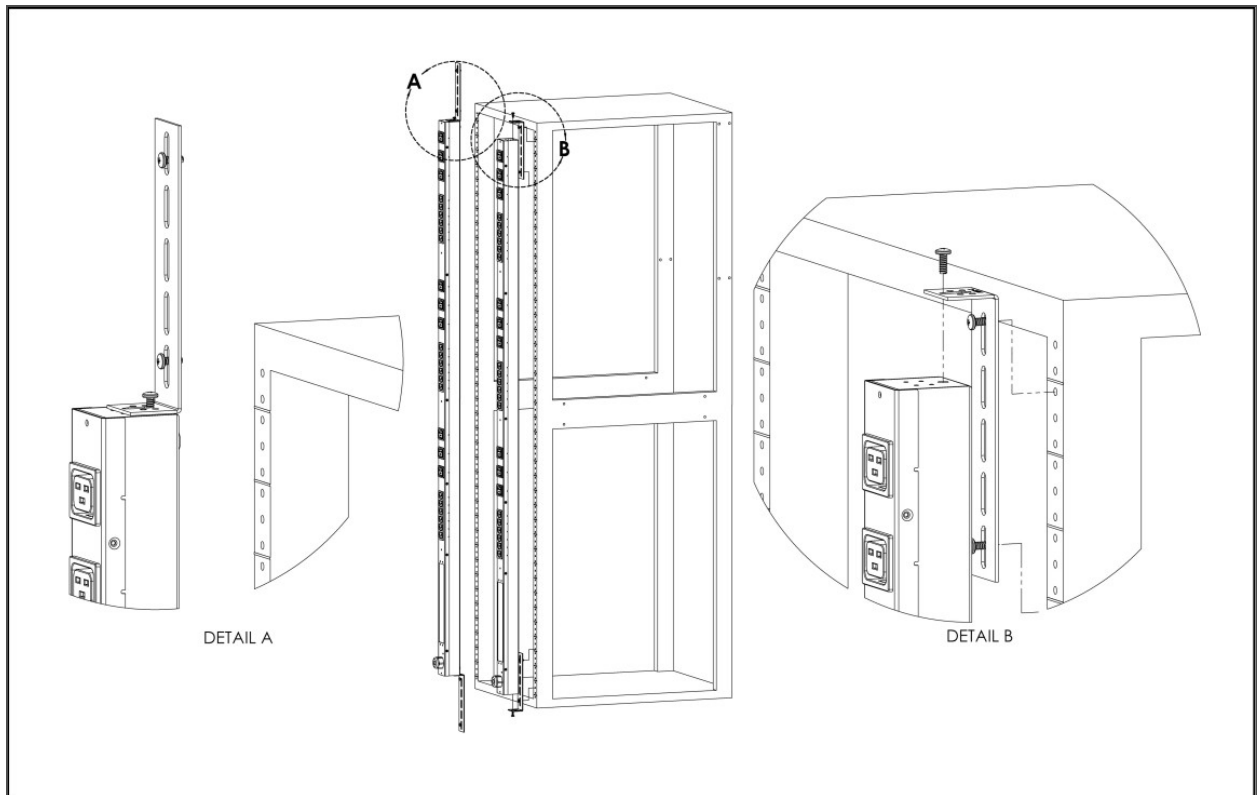


Figure 2.4 Toolless Mounting Hardware

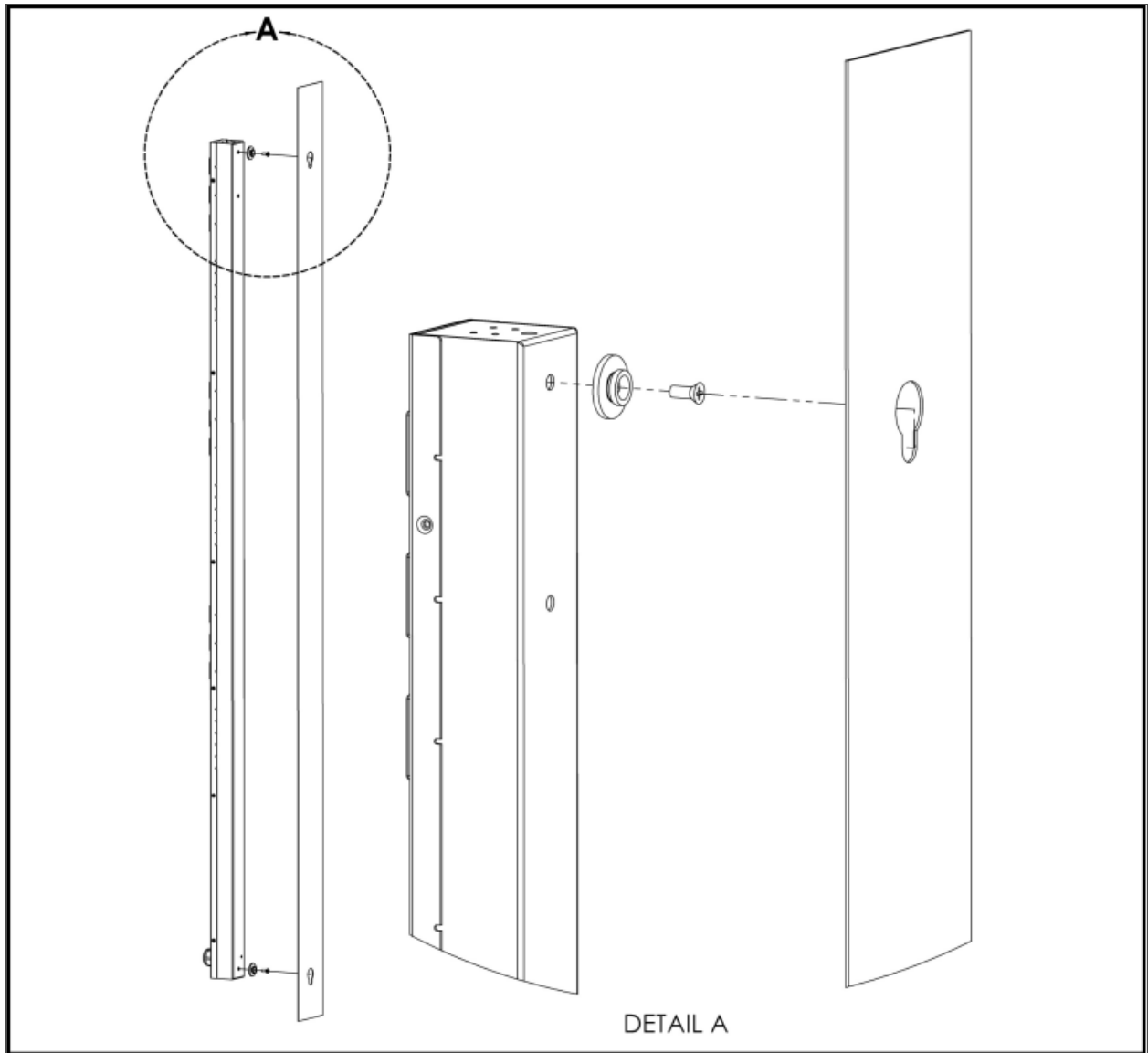


Figure 2.5 Toolless Full Length Brackets

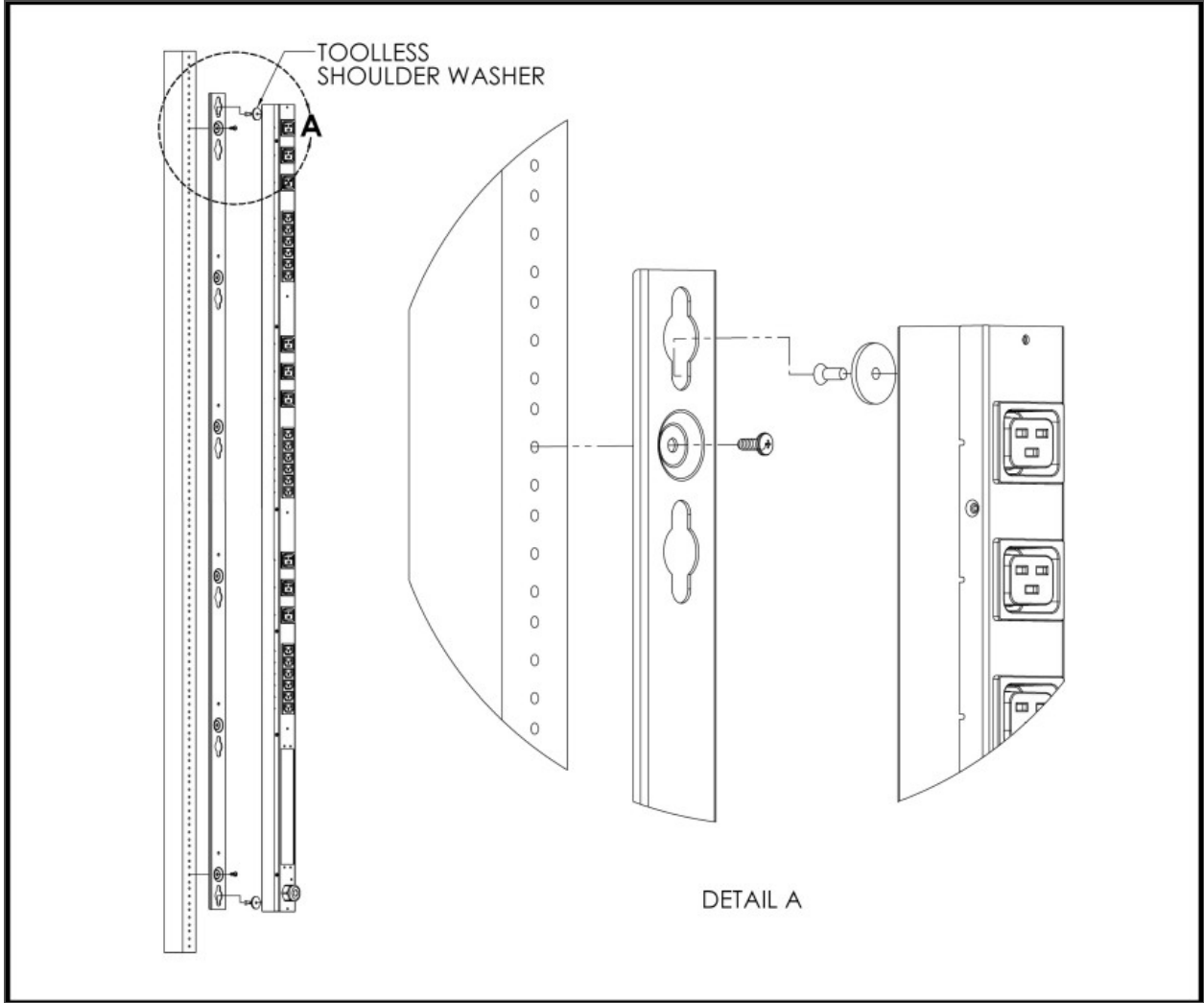


Figure 2.6 Single Side Mount 2 Units Brackets

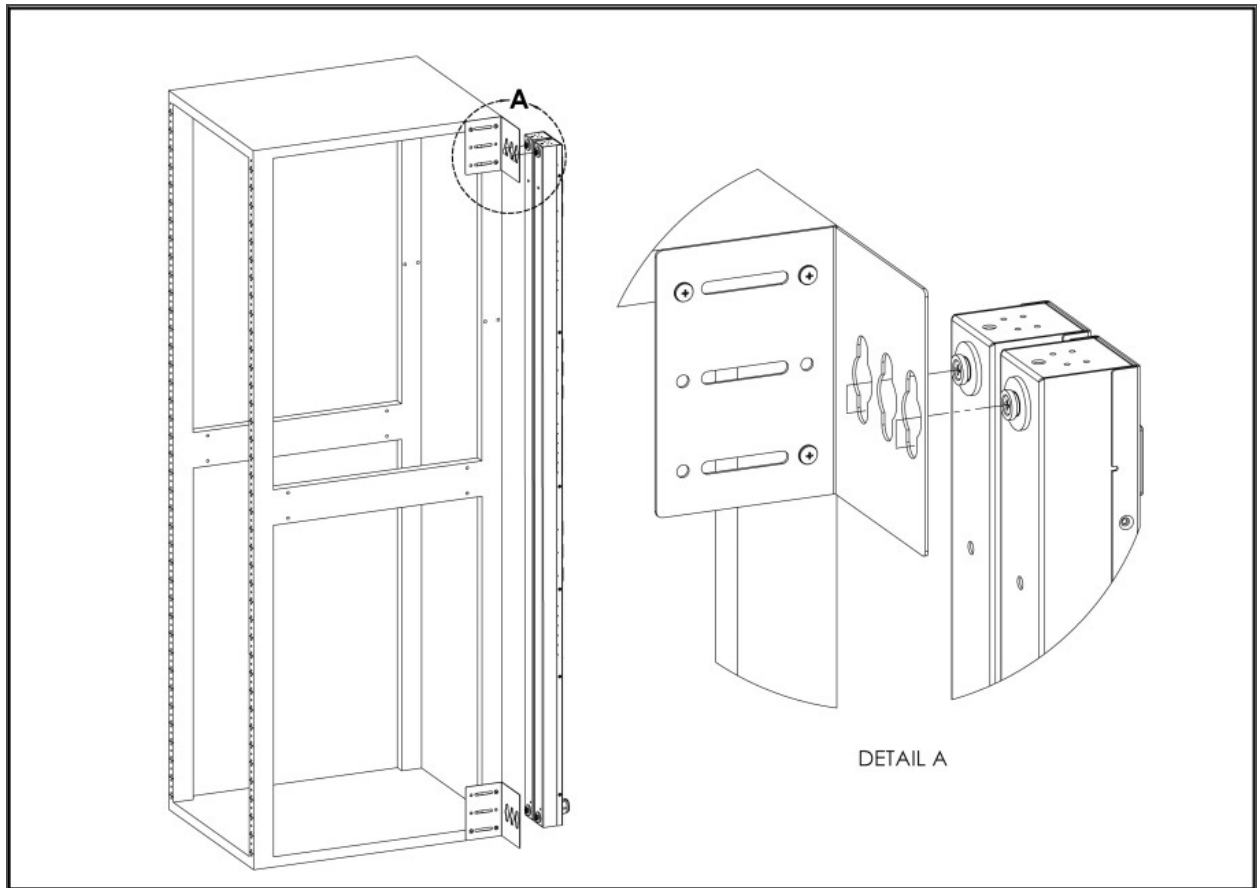


Figure 2.7 Offset/Side Mount Brackets

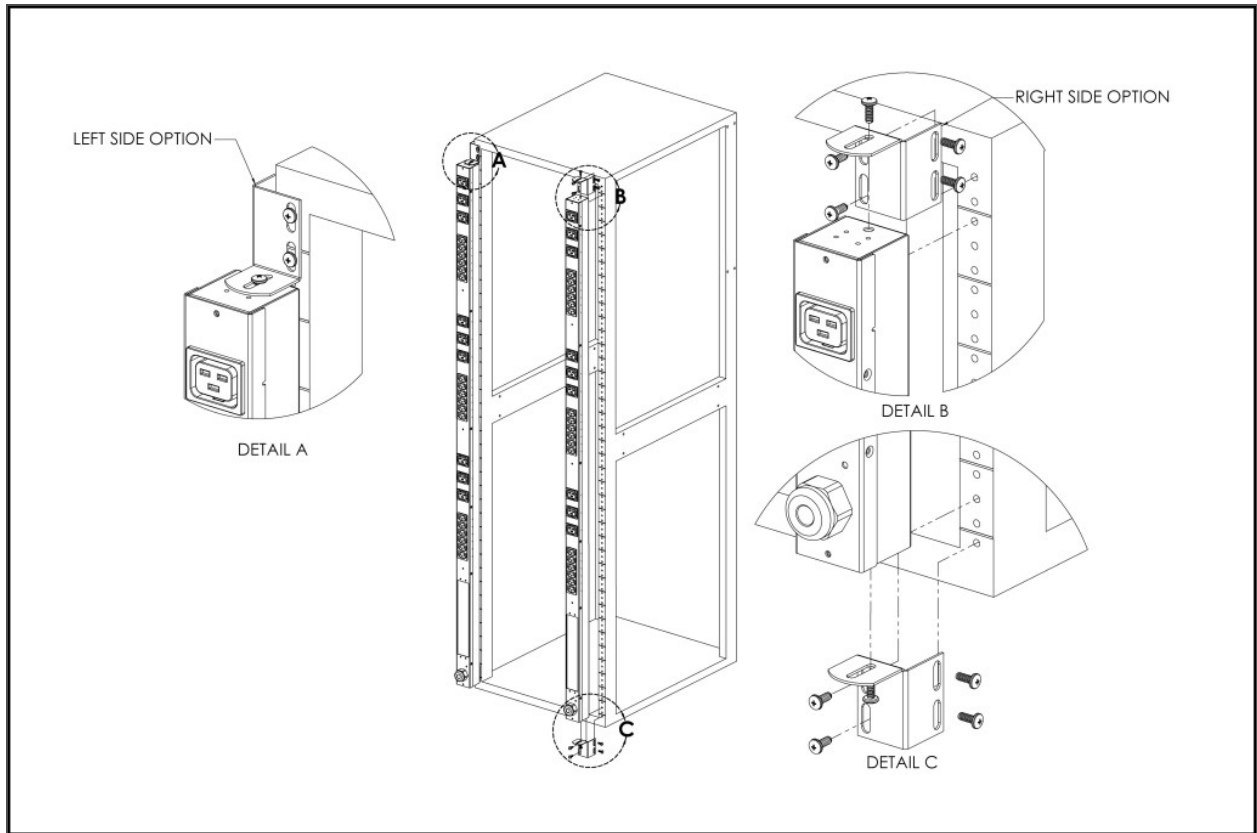


Figure 2.8 7" Extension Brackets

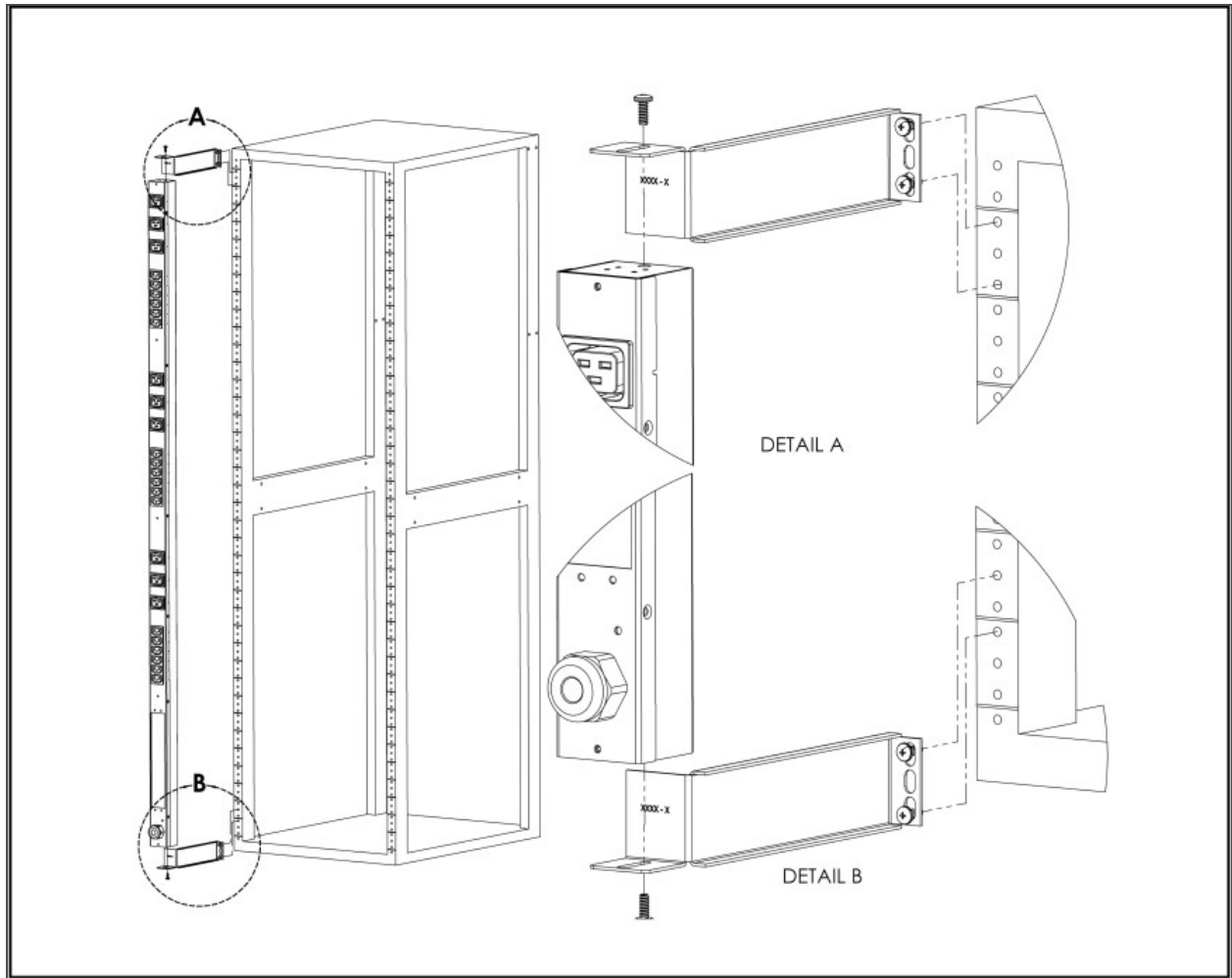


Figure 2.9 Flush Mount Bracket

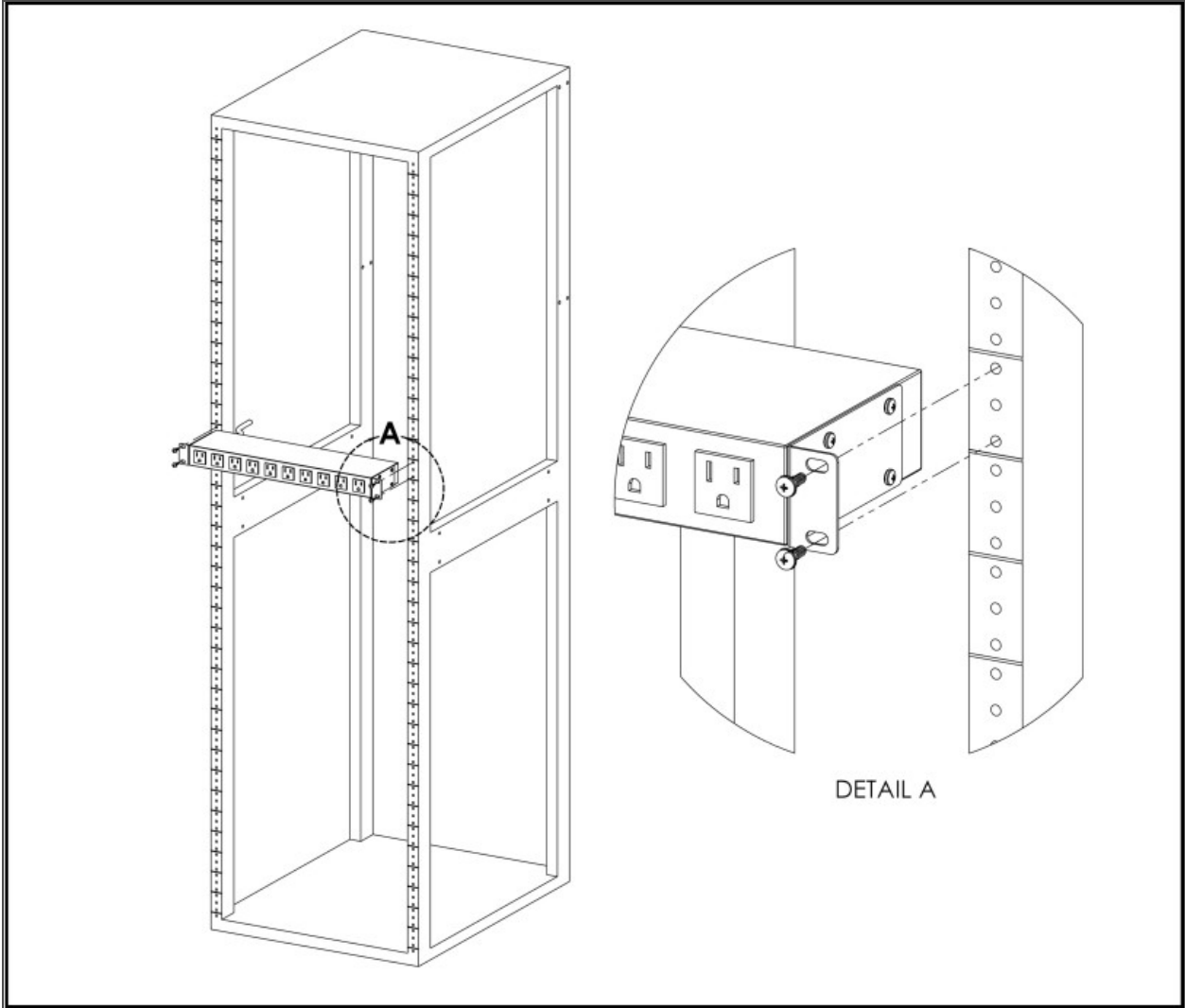




Figure 2.10 Adjustable Mount Bracket

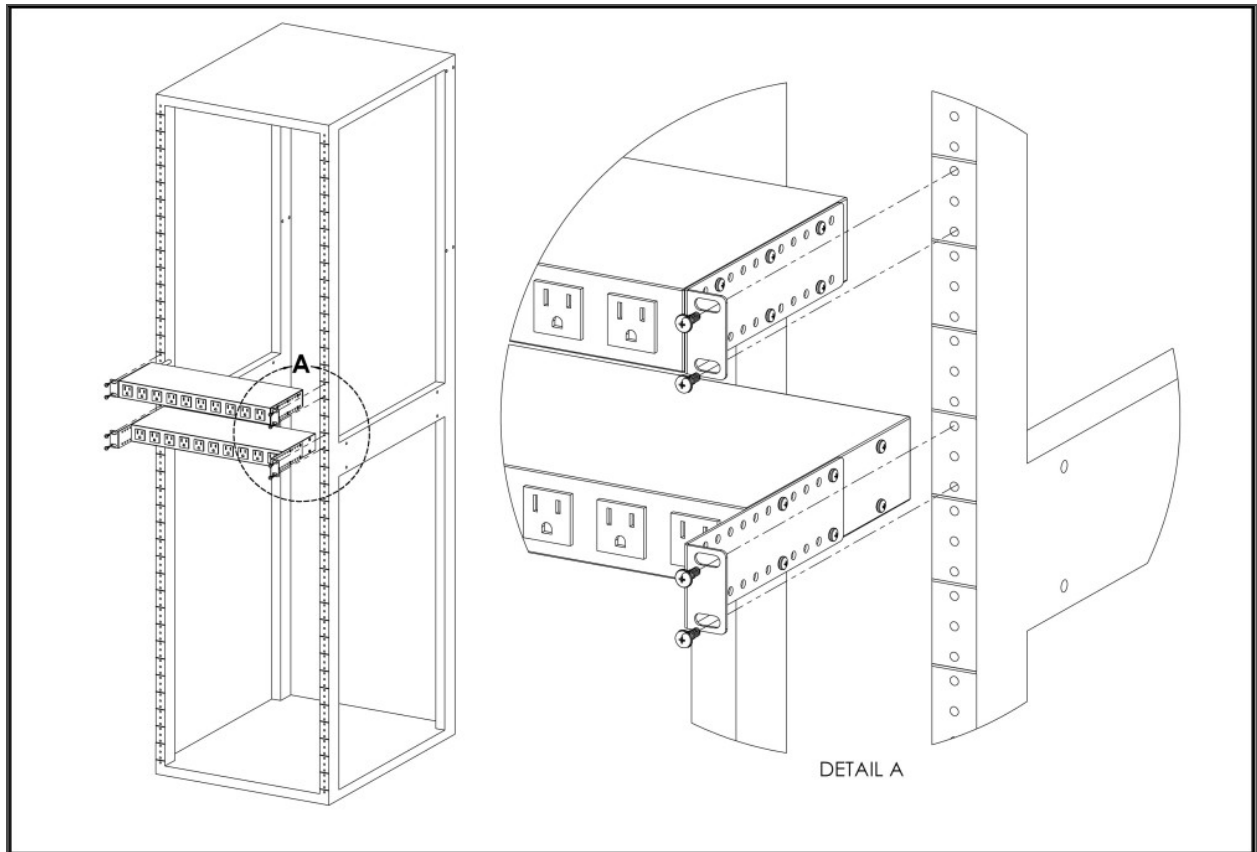


Figure 2.11 Panel Mount Bracket

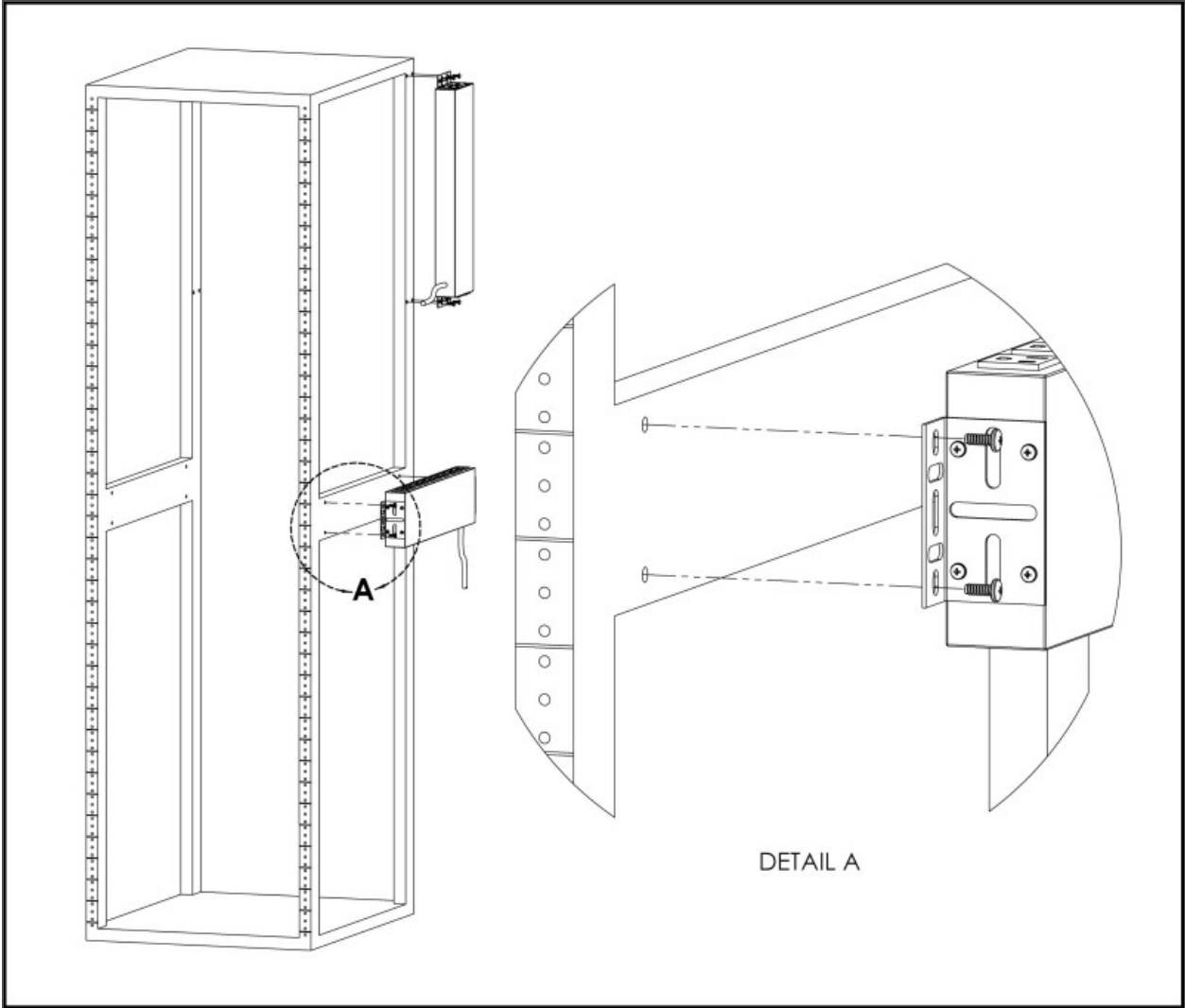


Figure 2.12 23" Conversion Mounting Brackets

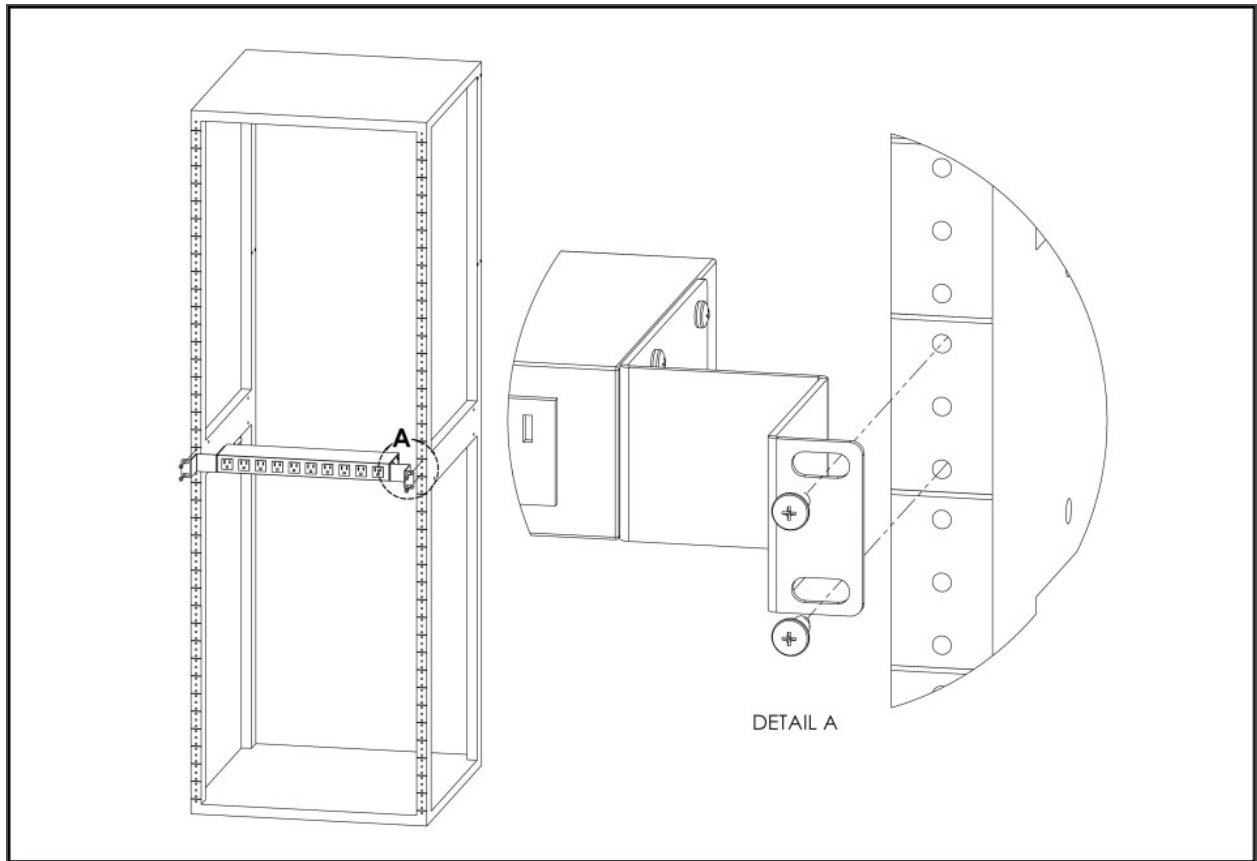
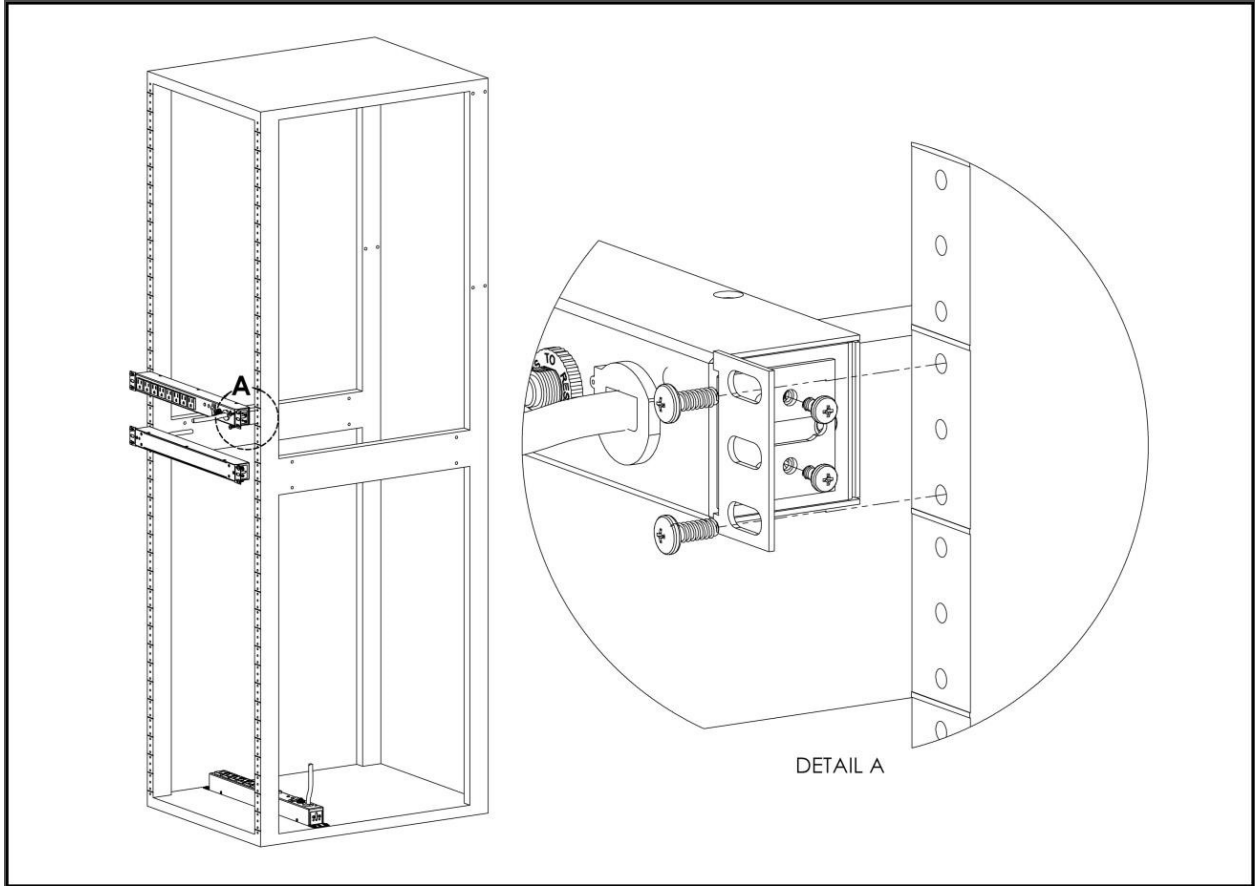


Figure 2.13 19" Horizontal/Panel Mount Brackets



## 2.1.1 Power Connection

Plug the rPDU into an appropriately-rated and protected branch-circuit receptacle.

## 2.1.2 U-lock Operation

Plug in the devices to be powered by the rPDU.

- Vertiv patented U-Lock power cord retention.
- Uses standard power cords.
- Cord insertion activated locking system.
- Easy Push-and-Hold Bezel unlocking feature.

**Figure 2.14 U-Lock Cord Retention Operation**



This page intentionally left blank

## 3 SETUP

### 3.1 Interchangeable Monitoring Device

The Interchangeable Monitoring Device (IMD) is the core behind the Geist Upgradeable rPDU line of power products. The IMD can be replaced and upgraded to allow datacenters to future-proof their rPDU installation.

#### 3.1.1 Basic

The Basic upgradeable rPDU is the baseline for the GU line of products. It is built with the IMD-01X module, and provides low cost power distribution with the option to upgrade to add local metering and/or remote monitoring and other features in the future.

#### 3.1.2 Metered

The Metered upgradeable rPDU is a locally metered option for the GU line of products. It is built with the IMD-01D module, and provides a local display for viewing current draw (Amps) with the option to upgrade to add monitoring and other features in the future.






**Figure 3.1** IMD-01D Module



**Table 3.1** IMD-01D Module Descriptions

NUMBER	NAME	DESCRIPTION
1	Local Display	The local display shows the phase, line, and circuit current values (in Amperes).
2	Display Buttons	There are three buttons near the IMD display; a back button, a forward button, and a center button. The functions of these buttons are described in the following table.

**Table 3.2 Display Button Functions**

BUTTON	SYMBOL	DESCRIPTION
Back Button		Decrement to the previous channel.
Forward Button		Increment to the next channel.
Center Button		Toggle between scrolling and static display modes. Holding this button for 10 seconds will perform a network reset, restoring the default IP address and resetting user account information.
Center Button x3		Pressing this button three times within two seconds enables VLC mode. Pressing the button while VLC mode is active returns the unit to the standard current display. For more information, see <a href="#">Visible Light Communication (VLC)</a> on page 47.
		Pressing both buttons at the same time flips the display 180 degrees.

**NOTE: Display Button functionality may vary based on unit configuration.**

### 3.1.3 Monitored

The Monitored Vertiv Upgradable rPDU is an advanced option for data centers that need full remote monitoring and alarms. It is built with the IMD-02X module, which provides dual Ethernet ports and a local display.

**Figure 3.2 IMD-02X Module**













**Table 3.3 IMD-02x Module Descriptions**

NUMBER	NAME	DESCRIPTION
1	Local Display	The local display shows the phase, line, and circuit current values (in Amperes).
2	Display Buttons	There are three buttons near the IMD display; a back button, a forward button, and a center button. The functions of these buttons are described in the following table.
3	Dual Ethernet Ports	The Dual Ethernet ports act as a 2-port Ethernet switch, allowing for multiple devices to be daisy-chained.

**Table 3.4 Display Button Functions**

BUTTON	SYMBOL	DESCRIPTION
Back Button		Decrement to the previous channel.
Forward Button		Increment to the next channel.
Center Button		Toggle between scrolling and static display modes. Holding this button for 10 seconds will perform a network reset, restoring the default IP address and resetting user account information.
Center Button x 3		Pressing this button three times within two seconds enables VLC mode. Pressing the button while VLC mode is active returns the unit to the standard current display. For more information, see <a href="#">Visible Light Communication (VLC)</a> on page 47.
Back and Forward Buttons	 and 	Pressing both buttons at the same time flips the display 180 degrees.
Back and Center Buttons	 and 	Pressing both buttons at the same time displays the primary IPv4 address for the unit.

**NOTE: Display Button functionality may vary based on unit configuration.**

### 3.1.4 Enhanced Monitored

The Enhanced Monitored Vertiv Upgradable rPDU is a more advanced option for data centers that need full remote monitoring, alarms and remote sensors. It is built with the IMD-02E module, which provides dual Ethernet ports, a local display and a RJ-12 port for remote sensors.

**NOTE: When changing sensors the old sensor must be deleted before the new sensor is discovered.**

Figure 3.3 IMD-02E Module

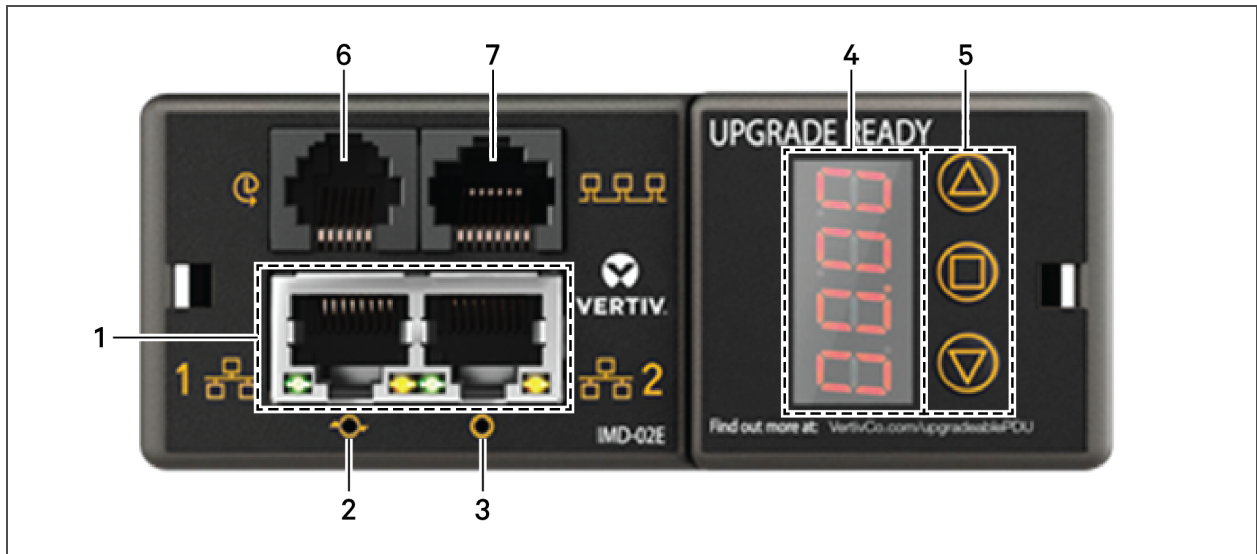


Table 3.5 IMD-02E Module Descriptions

NUMBER	NAME	DESCRIPTION
1	Dual Ethernet Ports	The Dual Ethernet ports act as a 2-port Ethernet switch, allowing for multiple devices to be daisy-chained.
2	Hard-Reboot Button	Pressing the hard-reboot button reboots the IMD. This acts as a power-cycle for the IMD, and does not change or remove any user information.
3	Network Reset Button	Holding the network-reset button for 15 seconds during normal operation will restore the default IP address and reset the user accounts. Holding the network-reset button during power-up will reset all of the unit's settings back to factory-default values.
4	Local Display	The local display shows the phase, line, and circuit current values (in Amperes).
5	Display Buttons	There are three buttons near the IMD display; a back button, a forward button, and a center button. The functions of these buttons are described in the following table.
6	Remote Sensor Port	RJ-12 port for connecting a Vertiv plug-and-play remote digital sensor (sold separately). Each digital sensor has a unique serial number and is automatically discovered. GU Enhanced Monitored PDUs support one sensor at a time. The optional Vertiv A2D Converter can be added to support analog sensing. For more information see <a href="#">Available Sensors</a> on page 57.
7	Proprietary Connectivity	RJ-45 port for future expansion.

### 3.1.5 Rapid Spanning Tree Protocol (RSTP)

Upgradable monitored devices, built with the IMD-02E include two Ethernet ports which work together as an internal Ethernet bridge. One of these ports can be used to connect the IMD to an existing network, or both ports can be used at the same time to connect one IMD to another in a daisy-chain configuration.

When both network interfaces are connected, the IMD implements a network bridging protocol called the Rapid Spanning Tree Protocol (RSTP). RSTP is an IEEE standard that is implemented by all managed bridges. Using RSTP, bridges in the network exchange information to find redundant paths, or loops.

When a loop is detected, the bridges in the network work together to temporarily disable the redundant paths. This allows the network to avoid broadcast storms caused by the loops. In addition, RSTP regularly checks for changes in the network topology. When a connection is lost, RSTP allows the bridges to quickly switch to a redundant path.

**NOTE: RSTP protocol imposes a limit of 40 links between bridges, including IMDs.**

## 3.2 Network Setup

The rPDU has a default IP address for initial setup and access. Once you have assigned an IP address, the default IP address is no longer active.

**To restore the default IP address and reset all user-account information:**

If the user-assigned address or passwords are lost or forgotten, press and hold the network-reset button located below the Ethernet port for 15 seconds. Holding the center button of the LED display for 10 seconds also resets the network and user account information.

**To erase all user settings and restore the unit back to its factory-default state:**

1. Disconnect power from the rPDU.
2. Press and hold the network-reset button while powering up the rPDU.

The Network page, located under the System Tab, allows you to assign the network properties manually, or use DHCP to connect to your network. Access to the unit requires the IP address to be known. Use of a static IP or a reserved DHCP is recommended. The default address is displayed on the front of the unit.

- IP Address: 192.168.123.123
- Subnet Mask: 255.255.255.0
- Gateway: 192.168.123.1

To access the unit for the first time, you must temporarily change your computer's network settings to match the 192.168.123. xxx subnet. To set up the unit, connect it to your computer's Ethernet port, then follow the appropriate instructions for your computer's operating system.

**To setup the network for a Window operating system:**

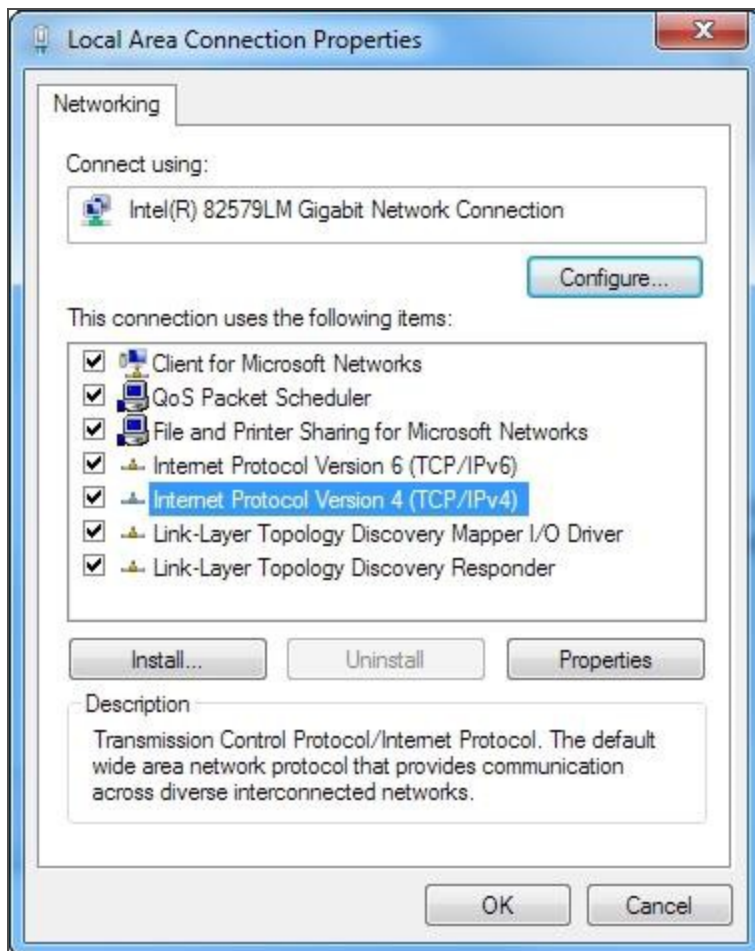
1. Access the network settings for your operating system.
  - Using Windows 2000, XP or Server 2003, click *Start - Settings - Network Connections*.

- Using Windows 7 or Server 2008, click *Start - Control Panel - Adjust your Computer's Settings - View Network Status and Tasks - Change Adapter Settings* or click *Start - Settings - Control Panel - Network and Sharing Center - Change Adapter Settings*.
  - Using Windows 8 or Server 2012, move the mouse to the bottom or top right corner, click *Settings - Control Panel - Large or Small Icons - Network and Sharing Center - Change Adapter Settings*.
  - Using Windows 10, click *Start - Network and Internet - Change Adapter Settings*.
2. Locate the entry under LAN, High-Speed Internet or Local Area Connection which corresponds to the network card (NIC). Double-click on the network adaptor's entry in the Network Connections list.

**NOTE: Most computers will have a single Ethernet NIC installed, but a WiFi or 3G adaptor also shows as a NIC in this list. Be sure to choose the correct entry.**

3. Click *Properties* to open the Local Properties window.

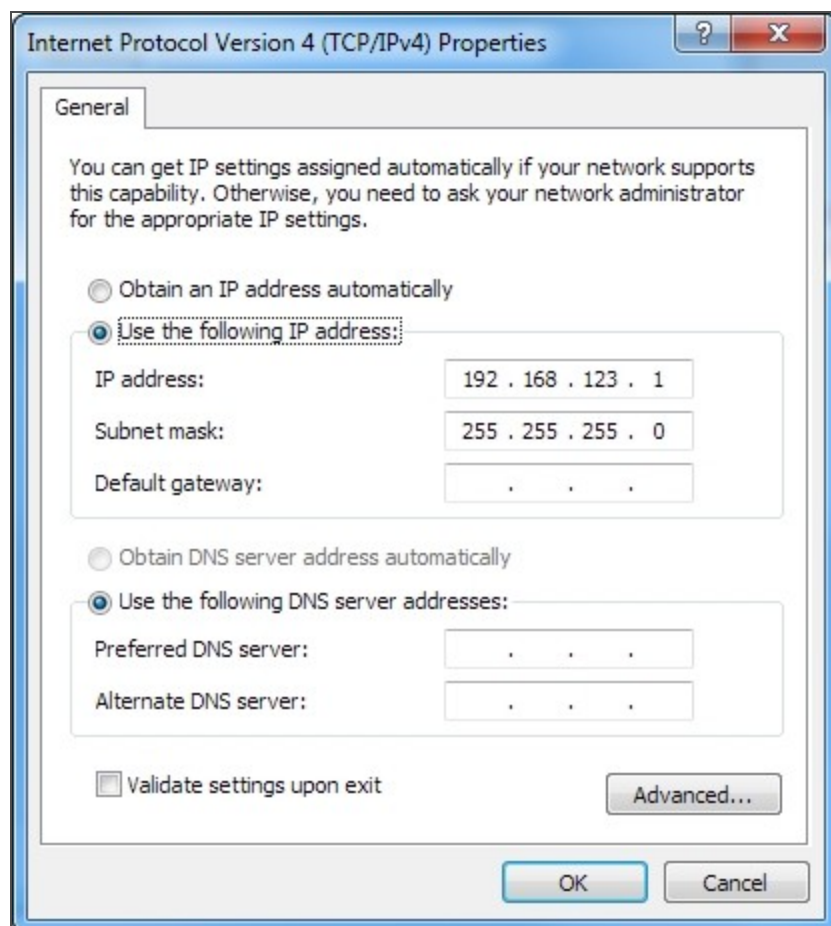
**Figure 3.4 Local Area Connection Properties**



4. Select *Internet Protocol Version 4 (TCP/IPv4)* from the list, then click *Properties*.

**NOTE:** If you see more than one TCP/IP entry, as in the example above, the computer may be configured for IPv6 support as well as IPv4; make sure to select the entry for the IPv4 protocol. Write down the current NIC card settings so you can restore them to normal after you have completed the setup procedure.

Figure 3.5 Internet Protocol Version 4



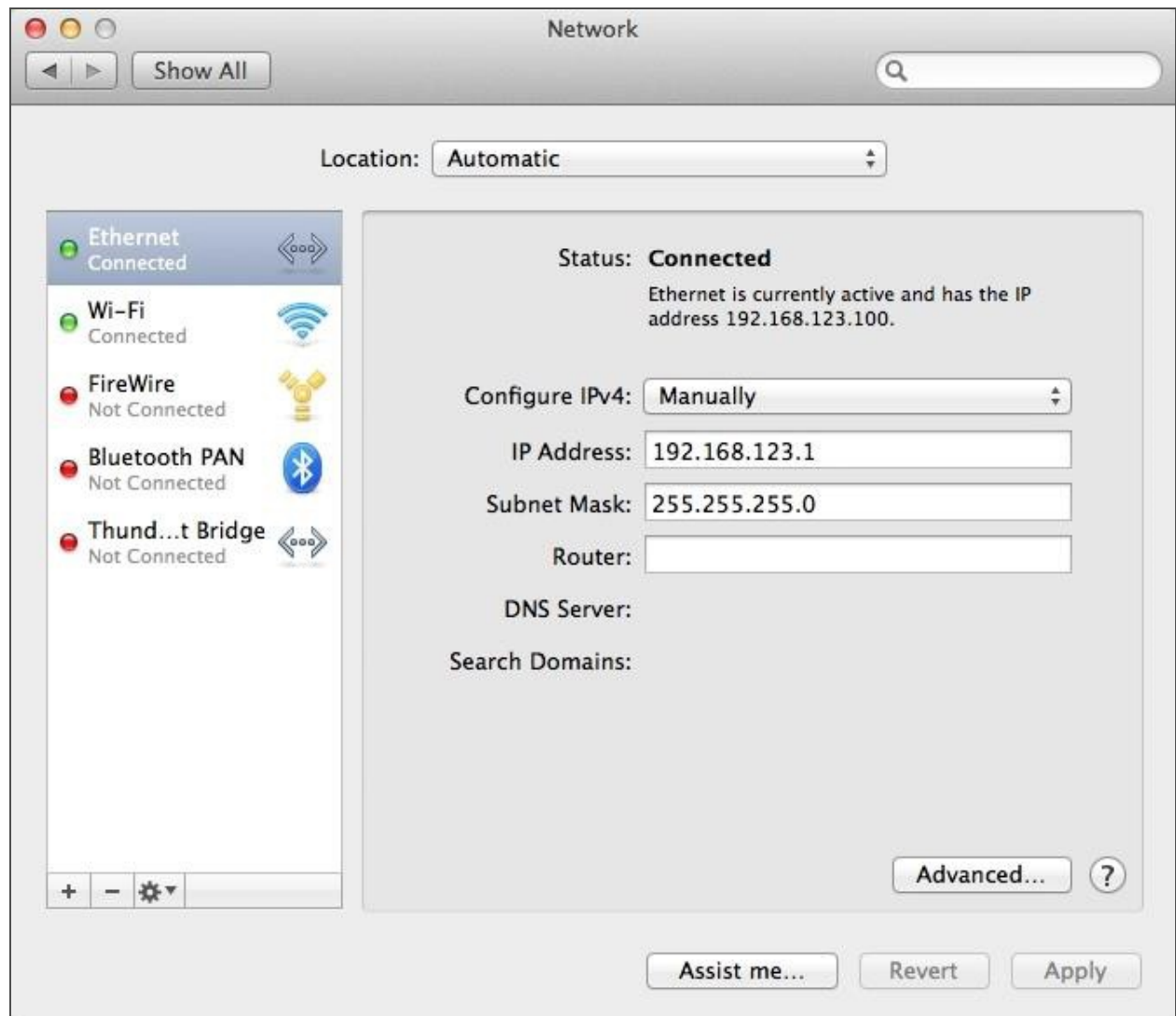
5. Choose *Use the following IP address*, set IP address to **192.168.123.1** and Subnet Mask to **255.255.255.0**. For initial setup, Default Gateway and the DNS Server entries can be left blank. Select *OK* - *OK* to close both the Internet Protocol Properties and Local Properties windows.
6. In a web browser, enter **http://192.168.123.123** to access the unit. If you are setting up the unit for the first time, or if the unit has been reset back to factory defaults via the network-reset button, the unit requires you to create an Admin account and password before you can proceed.
7. After the admin account is created, log in to the unit.
8. By default, the default sensors page is displayed. Navigate to the *System* tab, then the *Network* page to configure the device's network properties. The unit's IP Address, Subnet Mask, Gateway and DNS settings can either be assigned manually, or acquired via DHCP.
9. Click *Save*.

**NOTE:** After the changes are saved, the browser will no longer be able to reload the web page from the 192.168.123.123 address and displays "Page not Found" or "Host Unavailable" message; this is normal. After you are finished configuring the unit's IP address, repeat the steps above changing the computer's Ethernet NIC card settings to the ones you wrote down prior to changing them.

To setup the network for a MAC:

1. Click the System Preferences icon on the Dock, and choose *Network*.

**Figure 3.6** MAC System Preferences



2. Ensure Ethernet is highlighted on the left side of the NIC window. In most cases, there will be one Ethernet entry on a Mac. Write down the current settings so you can restore them to normal after you have completed the setup procedure.
3. Select *Manually* from the Configure IPv4 drop-down list, then set IP Address to **192.168.123.1** and Subnet Mask to **255.255.255.0** and click *Apply*.

**NOTE:** The Router and DNS Server settings can be left blank for this initial setup. In a web browser, enter **http://192.168.123.123** to access the unit. If you are setting up the unit for the first time, or if the unit has been reset back to factory defaults via the network-reset button, the unit requires you to create an Admin account and password before you can proceed.

4. After the admin account is created, log in to the unit.
5. By default, the default sensors page is displayed. Navigate to the *System* tab, then the *Network* page to configure the device's network properties. The unit's IP Address, Subnet Mask, Gateway and DNS settings can either be assigned manually, or acquired via DHCP.
6. Click **Save**.

**NOTE:** After the changes are saved, the browser will no longer be able to reload the web page from the 192.168.123.123 address and displays "Page not Found" or "Host Unavailable" message; this is normal. After you are finished configuring the unit's IP address, repeat the steps above changing the computer's Ethernet NIC card settings to the ones you wrote down prior to changing them.

### **3.3 Web Interface**

The unit is accessible via a standard, unencrypted HTTP connection as well as an encrypted HTTPS (SSL) connection.

#### **3.3.1 Home page**

The Home Page gives both current and historical views of the unit's data. Real-time readings are provided for all rPDU data and individual circuits' data.

Figure 3.7 Home Page

Figure 3.8

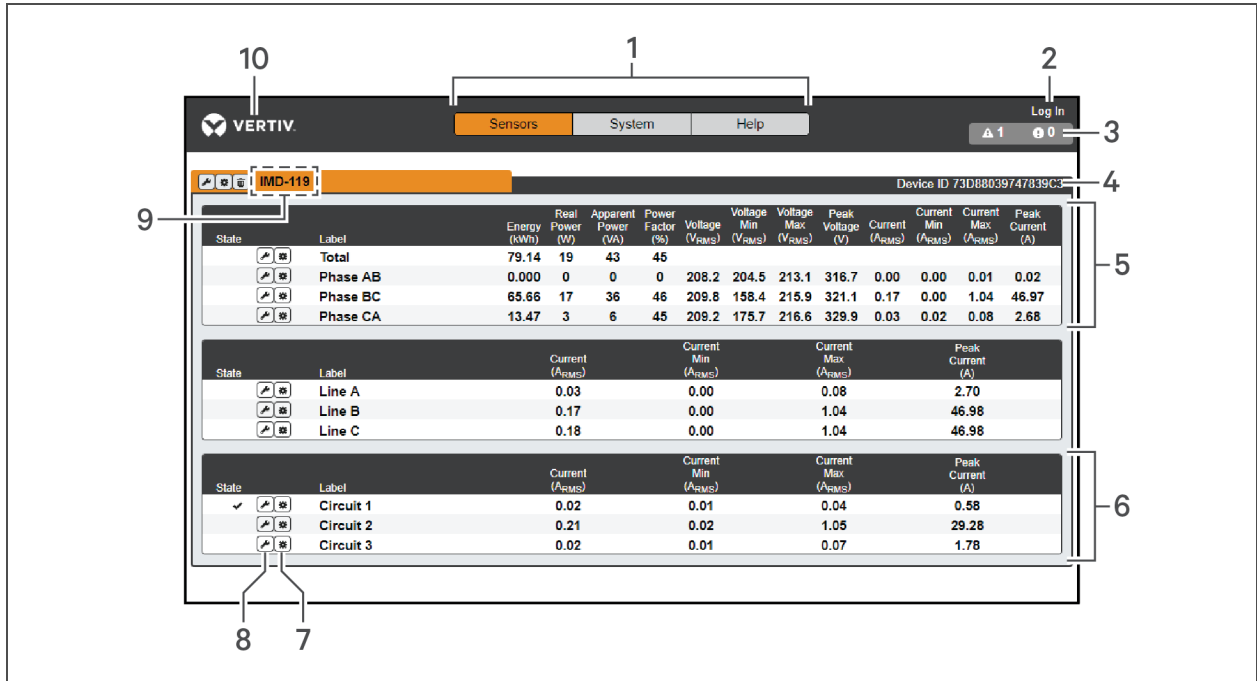


Table 3.6 Home Page Descriptions

NUMBER	NAME	DESCRIPTION
1	Sensors, System and Help Tab	Mouse over to show sub-menus: Sensors, System and Help
2	Log In/Log Out	Click to log in or log out of the unit. <b>NOTE: Both username and password are case sensitive and no spaces are allowed. Prohibited characters for username are: \$&amp; `&lt;&gt;[ ] { }" +%@/ ; = ? \ ^   ~ ,</b>
3	Alarms and Warnings	Indicates the number of Alarms and Warnings currently occurring, if any.
4	Device ID	Unique product identification and cannot be changed. May be required for technical support.
5	Total and Individual Phase Monitor	Displays AC current, voltage and power statistics for each individual phase, and for the total of all phases combined.
6	Current Monitor	Displays AC current draw statistics for each individual circuit on the rPDU.
7	Operation Icon	Modify settings.
8	Configuration Icon	Modify label name.
9	Device Label	Displays the user-assigned label of this unit.
10	Vertiv Logo	Clicking on this logo from any page will reload the home page.



### 3.3.2 Sensors tab

Click the Sensors tab to access the Overview, Alarms and Warnings and Logging page from the drop-down menu.

#### Overview

You must log in before making any changes. Only users with Control-level authorizations have access to these settings.

#### To change a device label:

1. Click the Configuration icon for the rPDU and change the label. The Name is the rPDU's factory name or model and cannot be changed.
2. Click Save.

#### To change a Phase or circuit label:

1. Click the Configuration icon for the phase or circuit and change the label. The Name is the physical phase or circuit name and cannot be changed.
2. Click Save.

#### To change phase operation:

1. Click the Operation icon.
2. Select the operation to perform.
  - Reset Energy - resets the total Energy measured in kWh for the selected phase.
  - Reset Min Max Values - resets Min and Max values for voltage and current.
3. Select *Submit* to issue the action.

#### To reset energy (kWh) and current values:

1. Click the Operation icon.
2. From the drop-down list, select the operation you wish to perform.
3. Click *Submit* to execute.

### Alarms and warnings

The alarms and warnings page allows you to establish alarm or warning conditions (events) for each power and circuit reading. Events are triggered when a measurement exceeds a user-defined threshold, either going above the threshold (high-trip) or below it (low-trip). Events are displayed in different sections, based on the device or measurement the event is associated with. Each event can have one or more actions to be taken when the event occurs.

Figure 3.9 Alarms and Warnings Page

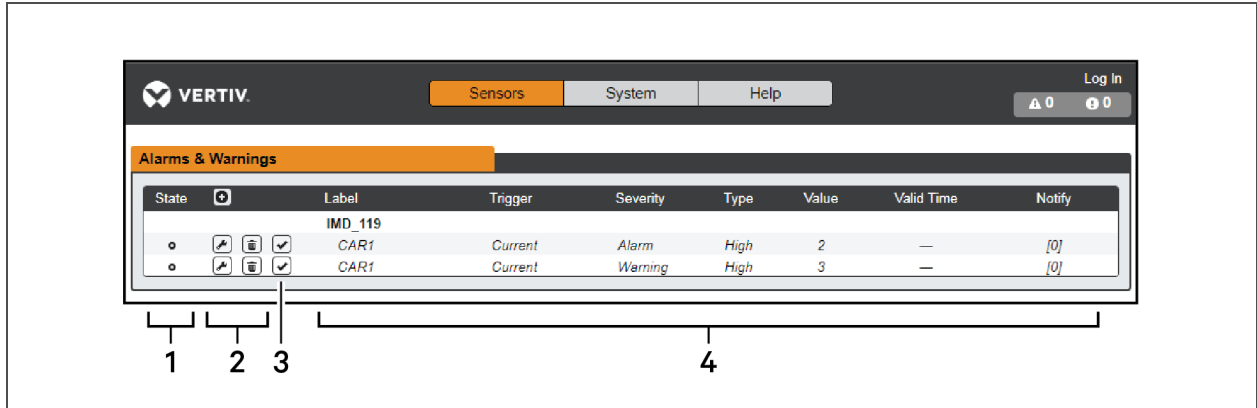


Table 3.7 Alarms and Warnings Descriptions

NUMBER	DESCRIPTION	SYMBOL	DESCRIPTION
1	Status of each event.		Warning symbol. Event is displayed orange.
			Alarm symbol. Alarm is displayed in red.
			Acknowledged event symbol. Symbol remains until the condition measured returns to normal.
2	Add/Delete/Modify alarms and warnings.		Add new alarms and warnings.
			Modify existing alarms and warnings.
			Delete existing alarms and warnings.
3	Notify user of tripped Events and request acknowledgment.	n/a	Empty if there is no alert condition.
			When a warning or alarm event occurs, you can click on this symbol to acknowledge the event and stop the unit from sending any more notifications about it.  <b>NOTE: Clicking this symbol does not clear the warning or alarm event, it just stops the notifications from repeating.</b>
4	Displays the conditions for the alarms and warnings settings		

To add a new Alarm or Warning Event:

1. Click the Add/Modify alarms and warnings button.
2. Set the desired conditions for this event as follows:
  - a. From the drop-down lists, select the name of the phase or circuit, the trigger measurement, the severity and the Type.

**NOTE: High trips if the measurement goes above the threshold and low trips if the measurement goes below the threshold.**

- b. Enter the desired Threshold Value (any number between -999.0 through 999.0).
- c. Enter the desired Clear Delay time in seconds. Any value other than 0 means once this event is tripped, the measurement must return to normal for this many seconds before the event will clear and reset. Clear Delay can be up to 14400 seconds (4 hours).
- d. Enter the desired Trip Delay time in seconds. Any value other than 0 means that the measurement must exceed the threshold for this many seconds before the Event will be tripped. Trip Delay can be up to 14400 seconds (4 hours).
- e. Latching Mode: If enabled, this event and its associated actions remain active until the event is acknowledged, even if the measurement subsequently returns to normal.
- f. To specify where the alert notifications are sent when this alarm or warning event occurs, click the *Add* icon to create a new action.
- g. Select the desired options from the drop-down menu:
  - Target is the email address or SNMP manager to which notifications should be sent when the event is tripped. For more information on configuring a target email address see [Email](#) on page 38.

**NOTE: Target Delays and Repeats are shared across all alarms. If multiple delay or repeat values are needed for specific targets, each one must be added to the target list and then the appropriate Enabled box checked on each alarm.**

- Delay determines how long this Event must remain tripped for before this Action's first notification is sent. This is different from the Trip Delay above. Trip Delay determines how long the threshold value has to be exceeded before the Event itself is tripped. This delay determines how long the Event must remain tripped before this Action occurs. Delay can be up to 14400 seconds (4 hours). A Delay of 0 will send the notification immediately.
  - Repeat determines whether multiple notifications will be sent for this Event Action. Repeat notifications are sent at the specified intervals until the Event is acknowledged, or until the Event is cleared and re- set. The Repeat interval can be up to 14400 seconds (4 hours). A Repeat of 0 disables this feature, and only one notification will be sent.
3. Click *Save* to save this notification action.

**NOTE: More than one action can be set for an alarm or warning; to add multiple actions, just click the Add icon again and set each one as desired. Each alert can have up to 32 Actions associated with it.**

To change an existing alarm or warning event:

1. Click the Modify icon next to the alarm or warning event you wish to change.
2. Modify the settings as needed and click *Save*.

3. After an action is added, it has a checkbox in the enabled column at the far left. By default when an action is added it is unchecked (disabled). Click the checkbox to enable it. This allows you to selectively turn different actions on and off for testing.

To delete an existing alarm or warning event:

1. Click the Delete icon next to the alarm or warning event you wish to remove.
2. Click *Delete* and *Save* to confirm.

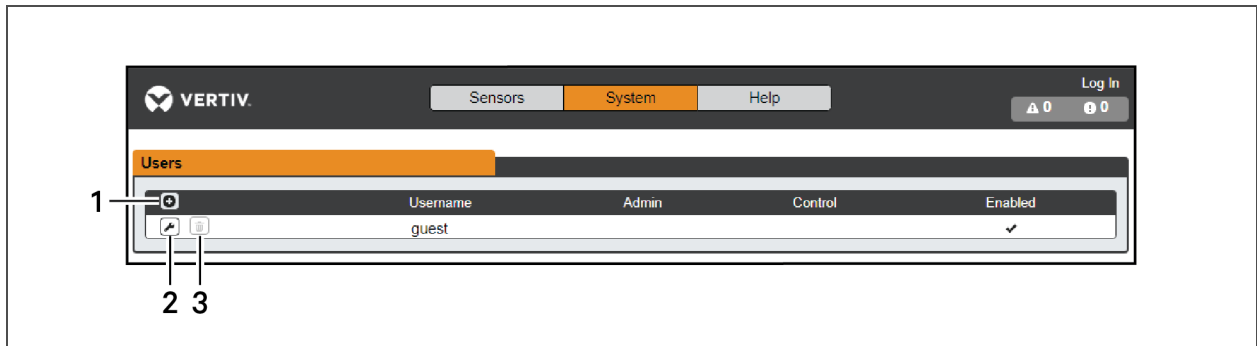
### 3.3.3 System tab

**NOTE: You must be logged in as Admin to modify settings in the System tab.**

#### Users

The Users page in the System menu allows you to manage or restrict access to the unit's features by creating accounts for different users.

**Figure 3.10 User Account Page**



**Table 3.8 User Account Page Descriptions**

NUMBER	DESCRIPTIONS
1	Add new user account
2	Modify user account
3	Delete user account

**NOTE: Only an Administrator-level account can add, modify, or delete users. Control-level and View-Only accounts can change their own passwords via the Modify button, but cannot add or delete accounts, or Modify other accounts. The Guest account cannot add, delete, or modify any account, not even itself.**

To add or modify a user account:

1. Click the Add or Modify User icon.
2. Create or modify the account information as needed.

- a. Username: The name of the account. User names may be up to 24 characters long, are case-sensitive, and may not contain spaces or any of these prohibited characters: \$& ` :<> [ ] { } "+%@/ ; =? \ ^ | ~ ,

**NOTE: A username cannot be changed after the account is created.**

- b. Administrator: If set to True, this account has Administrator-level access to the unit, and can change any setting.
  - c. Control: If set to True, this account has Control-level access. Setting Administrator to True will automatically set Control to True as well. Setting this to False makes the account a View-Only account.
  - d. New Password: Account passwords may be up to 24 characters long, are case-sensitive, and may not contain spaces.
  - e. Account Status: Set the account to Enabled or Disabled. Disabling an account prevents it from being used to log in, but does not delete it from the account list.
3. Click Save.

## User account types

- Administrator: Administrator accounts (accounts with both administrator and control authority set to True, as above) have full control over all available functions and settings on the device, including the ability to modify system settings and add, modify, or delete other users' accounts.
- Control: Control accounts (accounts with only control set to True) have control over all settings pertaining to the device's sensors. They can add, modify, or delete alarms & warning events and notification actions, and can change the names or labels of the device and its sensors. Control accounts cannot modify system settings or make changes to other users' accounts.
- View: If both administrator and control are set to False, the account is a view-only account. The only changes a view-only account is permitted to make are changing their own account's password, and changing the preferred language for their own account. View-Only accounts cannot change any device or system settings.
- Guest: Any user that views the unit's web page without logging in is automatically viewing the unit as Guest. By default, the guest account is a view-only account, and cannot make changes to any settings, although the administrator can elevate the guest account to control-level access if desired, allowing anyone to make changes to names, labels, alarm events, and notifications without logging in. The guest account cannot be deleted but can be disabled to require login for viewing system status.

### To change a user password:

1. Log in to your account.
2. Click your username in the top right corner of the page.
3. Enter a new password and click Save.

Figure 3.11 Change User Password Page

The screenshot shows the VERTIV web interface. At the top, there is a dark header with the VERTIV logo on the left, navigation tabs for 'Sensors', 'System', and 'Help' in the center, and user information 'geist' with a 'Log Out' link on the right. Below the header, there are two main sections. The first section is titled 'Language' and contains a 'Language Preference' dropdown menu set to 'English' and a 'Save' button. The second section is titled 'Change Password' and contains a 'New Password' input field with the text 'Password Set...' and a 'Save' button.

## Network

The unit's network configuration is set on the Network tab of the System menu. Settings pertaining to the unit's network connection are:

- Hostname: The hostname may be used as a method for device identification on the network.
- Interfaces: Used to configure the IP address of the rPDU, enable/disable DHCP and to view Link State and Uptime. The device supports up to 8 user configured IP address entries.
- Ports: Used to view and/or modify Ethernet port settings and RSTP status of each port on the rPDU.
- Routes: Displays configured routes and is where you will set your Gateway address for the rPDU. Default routes are distinguished by a "destination" of "0.0.0.0" or ":::", with a Prefix of "0" and Interface of "all". Only one default route can exist for IPv4 and one for IPv6.
- DNS: Allows the unit to resolve host names for email, NTP, and SNMP servers.

Figure 3.12 Network Configuration Page

**Hostname**

**Hostname**

**Interfaces**

	Label	MAC Address	DHCP	Link state	Uptime
	Bridge 0	54:10:EC:19:2B:81	Disabled	Up	164445

	IP Address	Prefix
	192.168.123.123	24
	FE80::5610:ECFF:FE19:2B81	64

**Ports**

	Label	Interface	RSTP Role	STP State	Link state	Uptime	Enabled
	Port 0	Bridge 0	Designated	Forwarding	Up	195	Enabled
	Port 1	Bridge 0	Unknown	Disabled	Down	163100	Enabled

**Routes**

	Destination	Prefix	Gateway	Interface
	default	0	192.168.123.1	all

**DNS**

	DNS Server Address
	8.8.8.8
	8.8.4.4

Figure 3.13 RSTP Configuration

**RSTP**

**Enable**

**Mode**

**Bridge Priority**

**Max Hops**

**Hello Time**

**Max Age**

**Forward Delay**

To edit the interfaces parameters:

1. Click the Modify icon

2. Modify desired fields.
  - a. Label - change the desired name of the selected interface.
  - b. Enable - enable/disable the selected interface. If only one interface is available, disabling the interface restricts access to the device requiring a network reset.
  - c. DHCP - enable/disable DHCP on the selected interface.
3. Click Save.

**NOTE: Any changes made to the network interface settings take effect once the Save button is clicked. If you have changed the IP address it will appear as if the unit is no longer responding because the browser will not be able to reload the web page. Close the browser window, type the new IP address into the browser's address bar and the unit will be accessible.**

To modify an existing IP Address:

1. Click the Modify icon.
2. Edit the IP Address and Prefix/Subnet Mask fields as needed.
3. Click Save.

To modify port settings:

1. Click the Modify icon.
2. Enter the appropriate information.
  - a. Change port label if desired.
  - b. Enable/Disable port.
  - c. Assign STP cost. This designates this interface's contribution to the root path cost, when it serves as the root port.
3. Click Save.

To add a new route:

1. Click the Add icon.
2. Enter the appropriate information.
  - a. Destination IP address for desired route.
  - b. Enter Prefix for desired route
  - c. Enter Gateway IP address.
  - d. Select Interface that route applies.
3. Click Save.

To modify an existing route:

1. Click the Modify icon
2. Edit the desired fields.
3. Click Save.



#### To add a new DNS Server Address:

1. Click the Add icon.
2. Enter the IP of the desired DNS server. Up to two DNS servers can be added.
3. Click Save.

#### To modify an existing DNS Server Address:

1. Click the Modify icon.
2. Edit the DNS Server Address field as required.
3. Click Save.

#### To change RSTP settings:

1. Change the settings, as desired.
  - a. Enable: Enable or Disable RSTP protocol
  - b. Mode: RSTP. RSTP mode supports falling back to STP when necessary.
  - c. Max Hops: Used when mode enabled to RSTP.
  - d. Hello Time: The interval, in seconds, between periodic transmissions of configuration messages by designated ports.
  - e. Max Age: The maximum age, in seconds, of the information transmitted by this interface, when it serves as the root bridge. Set at 2 seconds.
  - f. Forward Delay: The delay, in seconds, used by bridges to transition the root bridge and designated ports into forwarding mode. Set at 21 seconds
2. Click Save.

### Web server

The unit's Web Server configuration can be updated on the Web Server tab of the System menu.

- HTTP Interface: Enables/disables access via HTTP. HTTPS interface is always enabled. Available options are, enabled or disabled. It is not possible to disable the web interface completely.
- HTTP/HTTPS Server Port: Allows you to change the TCP ports which the HTTP and HTTPS services listen to for incoming connections. The defaults are port 80 for HTTP and 443 for HTTPS.

Figure 3.14 HTTP Configuration Page

HTTP

HTTPS is always enabled.

HTTP Interface

HTTP Port

HTTPS Port

Save

## Display

The unit's display configuration can be changed via the Display tab of the System menu. Settings pertaining to the unit's display are:

- Display Mode: Sets the unit to display current or total power (displayed as kW) on the local LED display.
- VLC: Allows user to enable or disable VLC mode from GUI (default is disabled).

Figure 3.15 Display Mode/VLC Configuration Page

VERTIV™

Sensors System Help

geist Log Out

▲ 0 ● 0

Display Mode

Display Mode

Save

VLC

VLC Mode

Save

## Email

The unit is capable of sending email notifications to up to five email addresses when an alarm or warning event occurs.

Figure 3.16 Email Configuration Page

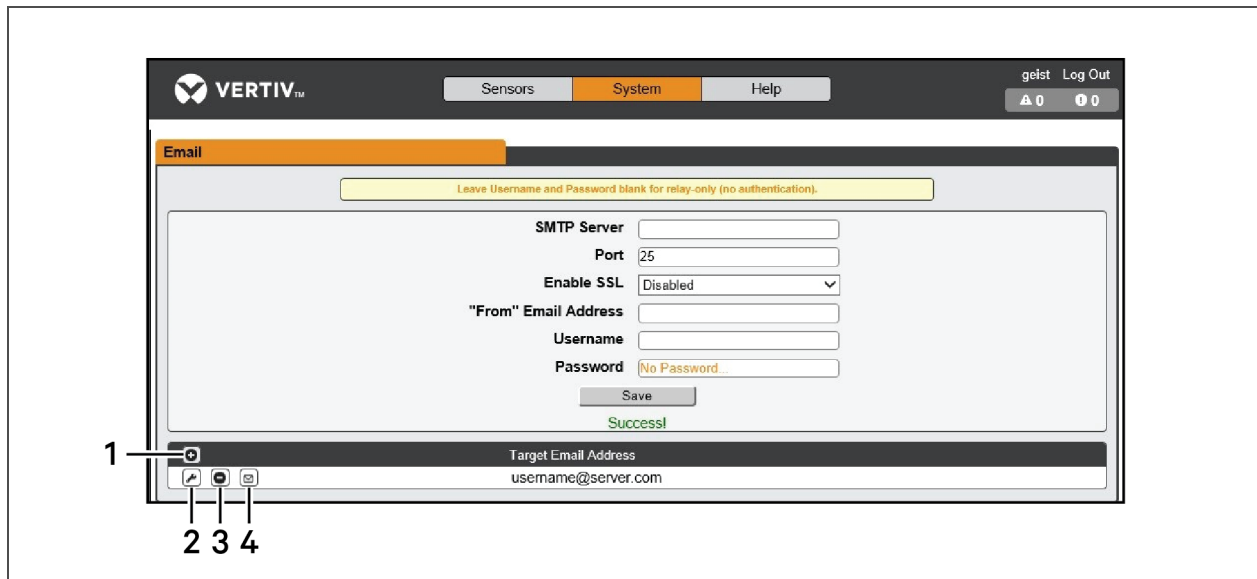


Table 3.9 Email Configuration Page Descriptions

NUMBER	DESCRIPTION
1	Add new target email address
2	Modify existing target email address
3	Delete existing target email address
4	Send test email

To send emails, the unit must be configured to access the mail server, as follows:

- **SMTP Server:** The name or IP address of a suitable SMTP or ESMTP server.
- **Port:** The TCP port which the SMTP Server uses to provide mail services. Typical values would be port 25 for an unencrypted connection, or 465 and 587 for a TLS/SSL-encrypted connection, but these may vary depending on the mail server's configuration.
- **Enable SSL:** If Enabled, the unit will attempt to connect to the server using a fully-encrypted TLS/SSL connection. Note that when this setting is enabled only fully-encrypted sessions are supported; the StartTLS method, where the session starts out as unencrypted and then switches to encrypted part way through the session, is not supported. If using a service that utilizes StartTLS, such as Office365, please leave this option disabled.
- **From Email Address:** The address which the unit's emails appear to come from. Many hosted email services, such as Gmail, require this to be the email account of a valid user.
- **Username and Password:** The login credentials for the email server. If your server does not require authentication (open relay), these can be left blank.

Microsoft Exchange servers must be set to allow SMTP relay from the IP address of the unit. In addition, the Exchange server must be set to allow Basic Authentication, so the unit is able to log in with the AUTH LOGIN method of sending its login credentials. Other methods, such as AUTH PLAIN and AUTH MD5 are not supported.

To add or modify a target email address:

1. Click the Add or Modify icon.
2. Enter the email address and then click *Save*.

To delete a target email address:

1. Click the delete icon next to the address you wish to delete.
2. Click delete on the pop-up window to confirm.

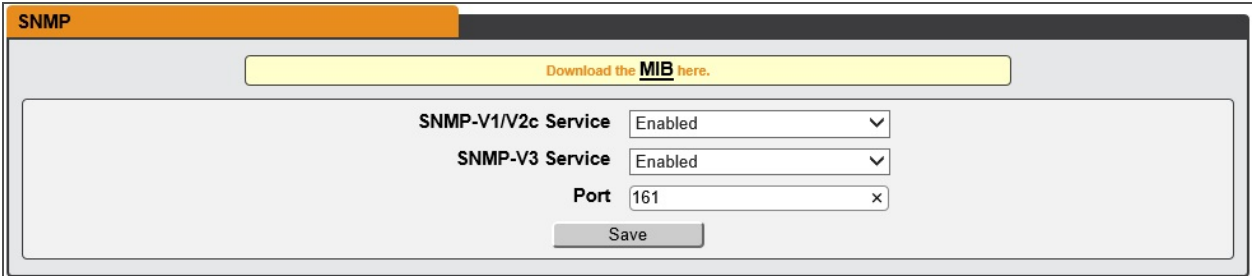
To send a test email:

1. Click the test email icon next to the address you wish to test.
2. A pop-up window indicates the test email is being sent, click *OK* to dismiss the pop-up.

## SNMP

Simple Network Management Protocol (SNMP) can be used to monitor the unit's measurements and status, if desired. SNMP v1, v2c and v3 are supported. In addition, alarm traps can be sent to up to two IP addresses.

**Figure 3.17 SNMP Configuration Page**



SNMP

Download the [MIB](#) here.

SNMP-V1/V2c Service Enabled

SNMP-V3 Service Enabled






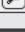
Port 161

Save

The SNMP-V1/V2c and SNMP-V3 Service can be enabled or disabled independently as desired. The service listens for data-read requests on port 161, which is the usual default for SNMP services; this can also be changed if desired.

The Management Information Base (MIB) can be downloaded from the unit, if needed, via the MIB link at the top of the web page. Clicking this link downloads a .zip archive containing both the MIB file itself, and a CSV-formatted spreadsheet describing the available OIDs in a human-readable form to assist you in setting up your SNMP manager to read data from the unit.

**Figure 3.18 SNMP Users Configuration Page**

Users				
Type	Name	Authentication	Privacy	
 V1/V2c Read Community	public	—	—	
 V1/V2c Write Community	private	—	—	
 V1/V2c Trap Community	private	—	—	
 V3 Read		None	None	
 V3 Read/Write		None	None	
 V3 Trap		None	None	

The Users section allows you to configure the various Read, Write, and Trap communities for SNMP services. You can also configure the authentication types and encryption methods used for the SNMP v3 if desired. Click the modify icon to change settings.

Traps allows you to define the IP addresses and SNMP types that you wish the traps to be sent.

To configure a trap destination:

1. Locate the Traps section of the SNMP page, and click the Add icon.
2. Enter the IP Address which the trap should be sent to in the Host field.
3. Change the Port number if required.
4. Select the trap version to be used (v1, v2c or v3) and click Save.

A test trap may be sent by clicking on the test icon next to the Host IP address. Trap settings can also be updated/changed by clicking the modify icon next to the Host IP address.

## SYSLOG

Syslog data can be captured remotely but must first be setup and enabled via the Syslog page.

**NOTE: This function is primarily only useful for diagnostic purposes, and should normally be left disabled unless advised to enable it by Vertiv technical support for troubleshooting a specific issue.**

## Admin

The Admin page allows the administrator of the device to save their contact information along with the device description and location. Once the info is saved by an administrator, other (non-administrator) users can view the information. Also, the System Label can be modified on this page. This label is typically shown in the title bar of the web browser's window, and/or on the browser tab(s) currently viewing the device.

## Locale

The Locale page sets the default language and temperature units for the device. These settings will become the default viewing options for the device, although individual users can change these options for their own accounts. The guest account will only be able to view the device with the options set here.

## Utilities

The Utilities page in the System menu provides the ability to restore defaults, reboot the communication system and perform firmware updates.

The Restore Defaults section allows you to restore the unit's settings to the factory defaults. There are two options:

- All Settings: Erases all of the unit's settings, including all network and user accounts settings, effectively reverting the entire unit back to its original out-of-the-box state.
- All Non-Network Settings: Erases all settings except the Network and User Accounts.

The Reboot section allows the user to perform a system reboot. This function will not affect power delivery to connected equipment. Use the Firmware Update section to load firmware updates into the unit. Firmware updates, when available, can be found on the Vertiv website: [VertivCo.com/Firmware-Support](http://VertivCo.com/Firmware-Support). You can also subscribe to a mailing list, to be notified of when firmware updates become available.

Firmware updates typically comes in a .zip archive file containing several files including the firmware package itself, a copy of the SNMP MIB, a "readme" text file explaining how to install the firmware, and various other support files as needed. Be sure to un-zip the archive and follow the included instructions.

**NOTE: Firmware updates can be performed via HTTP interface only. Updates over the HTTPS interface are not currently supported.**

## 4 APPENDICES

### Appendix A: Technical Support

#### A.1 Resetting rPDU

If the rPDU loses communication, the processor may be manually rebooted without affecting power to the outlets. Pressing the reboot button on the face of the IMD will cause the processor to reboot. The web interface will remain off-line during boot up. For more information, see [Interchangeable Monitoring Device](#) on page 19.

#### A.2 Service and maintenance

No service or maintenance is required. Do not attempt to open the rPDU or you may void the warranty. There are no serviceable parts inside the rPDU other than the field replaceable Interchangeable Monitoring Device (IMD). It is recommended that power be removed from the unit before installing or removing any equipment.

The Interchangeable Monitoring Device is designed to be field replaceable by qualified service personnel only. The IMD is designed to be replaced while the rPDU is still connected to AC Mains power. Please refer the Geist™ PDU IMD Modules Replacement Guide for more information.

#### A.3 More technical support

Technical support can be found at [www.VertivCo.com/support](http://www.VertivCo.com/support).

##### Americas

- Website: [www.VertivCo.com/geist](http://www.VertivCo.com/geist)
- Email: [support@VertivCo.com](mailto:support@VertivCo.com)
- Telephone: 1-888-630-4445

##### Europe and Middle East

- Technical Support: [www.VertivCo.com/en-emea/support](http://www.VertivCo.com/en-emea/support)
- Email: [eoc@VertivCo.com](mailto:eoc@VertivCo.com)
- Telephone: 1-800-1155-4499

##### Asia

- Telephone (English): 1-888-630-4445 (US number)
- Telephone (Chinese): +86 755 8663 9505

## A.4 Using Microsoft Exchange as an SMTP server

If your facility uses a Microsoft Exchange email server, it can be used by the IMD rPDU to send Alarm and Warning notification emails if desired. However, the Exchange server may need to be configured to allow SMTP connections from the unit first, as later version of Exchange often have SMTP services or basic authentication disabled by default. If you encounter difficulties in getting your IMD rPDU to send emails through your Exchange server, the following notes may be helpful in resolving the problem.

**NOTE: These suggestions only apply if you are using your own, physical Exchange server. Microsoft's hosted Office365 service is not compatible with the IMD rPDU using firmware versions prior to v3.0.0, as Office365 requires a StartTLS connection. Firmware versions 3.0.0 and beyond have support for StartTLS and are compatible with Office365.**

First, since the IMD rPDU cannot use IMAP or Microsoft's proprietary MAPI/RPC Exchange/Outlook protocols to send messages, you will need to enable SMTP by setting up an SMTP Send Connector in the Exchange server. More information on setting up an SMTP Send Connector in Exchange can be found at this Microsoft TechNet article: <http://technet.microsoft.com/en-us/library/aa997285.aspx>

Next: Your Exchange server may also need to be configured to allow messages to be relayed from the monitoring unit. Typically, this will involve turning on the Reroute incoming SMTP mail option in the Exchange server's Routing properties, then adding the IMD rPDU's IP address as a domain which is permitted to relay mail through the Exchange server. More information about enabling and configuring SMTP relaying in Exchange can be found at this Microsoft TechNet article: <http://technet.microsoft.com/en-us/library/dd277329.aspx>

The SMTP AUTH PLAIN and AUTH LOGIN authentication methods for logging in to the server are often no longer enabled by default in Exchange; only Microsoft's proprietary NTLM authentication method is enabled.

To re-enable the AUTH LOGIN method:

1. In the Exchange console select *Server Configuration - Hub Transport*.
2. Right-click the client server, and select *Properties*.
3. Select the Authentication Tab and click the Basic Authentication checkbox.
4. Deselect the Offer Basic only after TLS checkbox.
5. *Apply* or *Save* and click *Exit*.

**NOTE: You may need to restart the Exchange service after making these changes.**



Finally, once you have enabled SMTP, relaying, and the AUTH LOGIN Basic Authentication method, you may also need to create a user account specifically for the IMD rPDU to log into. If you have already created an account prior to enabling the SMTP Send Connector, or you are trying to use an already-existing account created for another user, and the IMD rPDU still cannot seem to connect to the Exchange server, the account probably did not properly inherit the new permissions when you enabled them as above. This tends to happen more often on Exchange servers that have been upgraded since the account(s) you are trying to use were first created, but can sometimes happen with accounts when new connectors and plug-ins are added regardless of the Exchange version. Delete the user account, then create a new one for the monitoring unit to use, and the new account should inherit the SMTP authentication and mail-relaying permissions correctly.

If none of the above suggestions succeed in allowing your IMD rPDU to send mail through your Exchange server, then you may need to contact Microsoft's technical support for further assistance in configuring your Exchange server to allow SMTP emails to be sent from a 3rd-party, non-Windows device through your network.

This page intentionally left blank

## Appendix B: Visible Light Communication (VLC)

The VLC feature on Upgradeable PDUs allows the user to unobtrusively upload product information into a database management system via the embedded LED display. This product feature provides new opportunities to monitor and enable larger amounts of rPDU power data to be obtained via the unit's display, and all without physically connecting to the rPDU.

Using a smart device, such as a smart phone or tablet with the Vertiv Mobile app installed, it is possible to capture data from the LED display when running in VLC mode, which can be enabled/disabled easily by using the display buttons on the device, or using the GUI on monitored units.

By default, the Upgradeable LED display will provide the Current (Amps) per input and circuit/breaker. By enabling the VLC feature, the LED Display will scroll through a set of alpha-numeric characters. Utilizing the Vertiv Mobile app the user can scan the LED display and retrieve additional power metrics which include Volts, Amps, Watts, Volt-Amps and Kilowatt Hours. Before VLC, the power data was only available on network connected PDUs by viewing the GUI, or using external software to collect and display the data. The VLC feature provides this data on local metered only devices, as well as on monitored units without the need to connect them to the network.



**WARNING! This feature, when enabled, causes the unit to emit flashing lights, text, or number sets at frequencies that can induce adverse reactions. Persons susceptible to adverse reactions as a result of such emissions or persons who have been diagnosed with epilepsy should not utilize or enable this feature.**

To enable VLC:

Press the center button three times in under two seconds.

**NOTE: With the release of firmware version 3.3.0, Vertiv has added support for the VLC feature to all standard Metered and Monitored Upgradeable products, as well as a significant majority of its engineered-to-order range. Certain custom models of Upgradeable PDUs may not have VLC support within the Vertiv Mobile application. If your custom product is not supported by the Vertiv Mobile app it will be noted in the product specification sheet. Please contact your sales representative if you would like assistance with this. The latest firmware updates can be found at [VertivCo.com/Firmware-Support](https://www.vertiv.com/Firmware-Support). Vertiv Mobile app is available via the App Store for iOS devices.**

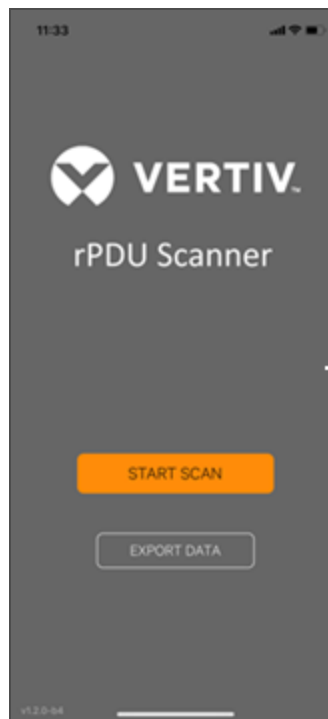
This page intentionally left blank

## Appendix C: Vertiv Mobile App

The Home screen allows the user to initiate a device scan or export data via .csv file.

- Scan: Turns on scan mode to allow the app to capture VLC data from Upgradeable rPDU.
- Export: Pressing the export button will launch the smart device's email app and attach the Database .csv file to be emailed to desired recipients.

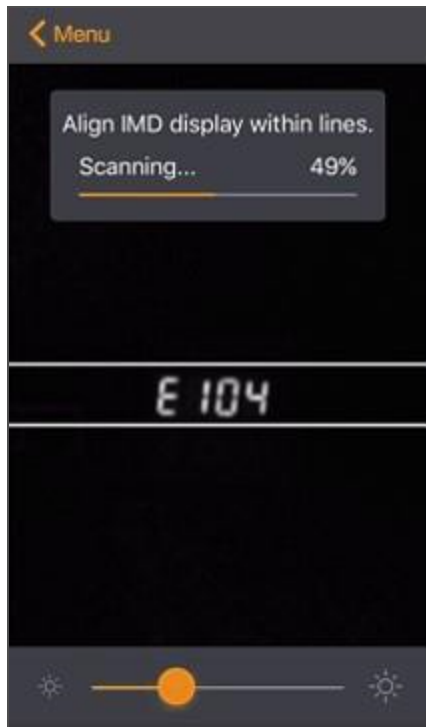
Figure C.1 Mobile App Home Screen



To scan an rPDU

1. Press *Scan* on the Home screen to load the Vertiv Mobile app scanning engine.

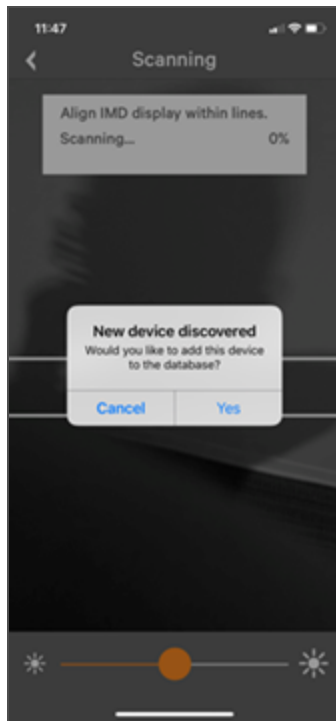
Figure C.2 Mobile App Scanning Screen



2. Position the smart device so that the characters on the LED display are between the lines on the screen. The LED characters should be clear and in-focus. If the characters appear too bright or too dark, the exposure setting can be adjusted by using the sliding bar at the bottom of the screen. The app captures data as soon as it can see the LED characters inside the horizontal lines. Scan progress is displayed as a percentage. If the scan percentage is increasing slowly, or resetting, the device is having trouble reading the data properly. In this case, try repositioning the device to improve results. After the scan reaches 100% the app loads the Readings page.

**NOTE: When a device is scanned for the first time, the Vertiv Mobile app recognizes the serial number as being new and ask if it should be added to the database as shown in the following image. If added to the database, all future scanned data is added to the device serial number record.**

Figure C.3 Mobile App New Device Screen



### C.1 Scanning tips

The VLC feature relies upon light for its communication. If the lighting around the display or the lighting going through the lens of the smart device is not optimal then the OCR (Optical Character Recognition) will struggle to capture the data. When looking at the smart device screen during capture, you can see if the characters of the LED display are in focus and bright, if they are blurred, with a surrounding glow or are faint then the VLC capture will fail to work quickly and may be unable to scan at all.

#### Proper capture methods

- High Contrast between LED display and background
- No glow around LED display characters
- LED display characters between horizontal guidelines

#### Improper capture methods

- Blurry image
- Over-exposed image
- Glow around LED display characters
- LED display characters not between horizontal guidelines

## C.2 Failure modes and Errors

The Vertiv Mobile App retries a scan two times if the scan cannot be completed. The scan fails if the smart device is unable to correctly capture all the VLC data correctly. One of the following messages is displayed:

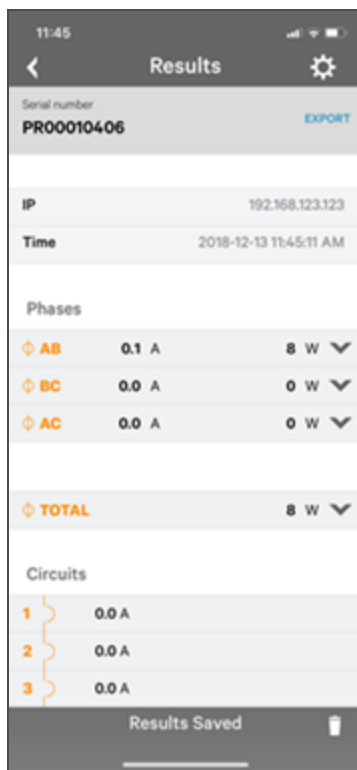
- Scan failed: Incorrect set configuration
- Scan failed: Incorrect data sequence
- Scan failed: Please adjust your position or the exposure and try again

Press *Cancel* to return to the Home screen or *Retry* to return to the Scan page.

## C.3 Readings

The Readings page displays scan results for each rPDU scanned using VLC.

Figure C.4 Mobile App Readings Screen



**NOTE:** The unit serial number is displayed in the title bar of the Readings page. This serial number matches the serial number located on the surface of the rPDU.

Pressing the *Settings* icon enables the user to customized the data that is displayed in the scan results.

- Collapse Rows: Allows user to collapse or expand the Readings page to help properly display data on smart devices with smaller screens.



- Unit Data to Display: Selects which data is shown on the Readings page. All data is stored within the database regardless of settings here. These settings are global and will apply to any scanned unit.

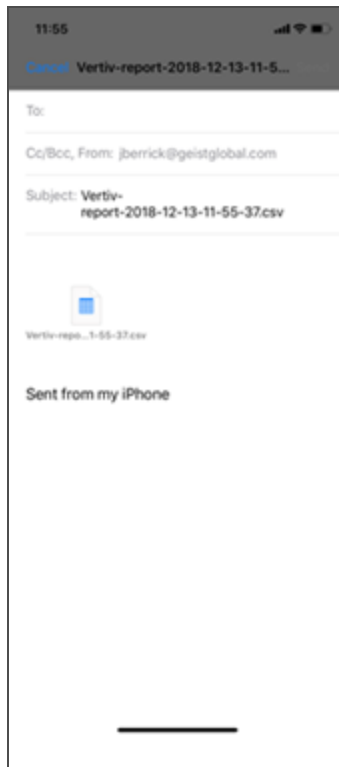
**Figure C.5 Mobile App Settings Screen**



## C.4 Export

The Export button on the Home screen opens the smart device's default email app to send the database of scanned devices in .csv format to the desired recipients.

Figure C.6 Mobile App Export Screen



**NOTE: An email app must be properly configured on the smart device to utilize the Export function. The Vertiv Mobile app does not directly support email functionality. Vertiv cannot troubleshoot email errors as this would be an issue with either the device, or email service being used.**

Each rPDU you scan adds a new entry to the database, there is no limit to the number of individual rPDU's that can be added but the database has a limit of 10 scans per rPDU. Additional scans of the unit will overwrite the oldest data for that unit.

The .csv data output organizes data first by serial number and then by date & time. You can further organize the data by using the filter option in Excel. The data structure is split into two sections, rPDU configuration and Power data.

rPDU configuration data includes:

- Serial Number
- Frame Definition
- Date/Time stamp
- IPv4 address

Power Data includes:

- Power Readings
- Totals

**Table C.1 rPDU Configuration Data**

SERIAL NUMBER	FRAMEDEF	YYYY-MM-DD-HH-MM-SS	IP ADD
Products unique serial number. This is the same serial number present on the units label.	Part of the VLC configuration data and used for debugging.	Timestamp of when the scan occurred.	The IPv4 address of the unit. Locally Metered units will show Null IP address.

**Table C.2 Power Data**

VOLTS	AMPS	WATTS	VA	KWH
1 volt	1 amp	1 watt	1 va	1 kwh
Input Phase for Single Phase units. Phase A or Phase AB if 3 Phase	Phase Amperes	Phase Real Power	Phase Apparent Power	Phase Kilowatt-Hours
2 volts	2 amps	2 watts	2 va	2 kwh
Phase B or Phase BC if 3 Phase	Phase Amperes	Phase Real Power	Phase Apparent Power	Phase Kilowatt-Hours
3 volts	3 amps	3 watts	3 va	3 kwh
Phase C or Phase AC if 3 Phase	Phase Amperes	Phase Real Power	Phase Apparent Power	Phase Kilowatt-Hours
4 volts	4 amps	4 watts	4 va	4 kwh
Secondary Input Phase for Single Phase units. Phase A or Phase AB if 3 Phase	Phase Amperes	Phase Real Power	Phase Apparent Power	Phase Kilowatt-Hours
5 volts	5 amps	5 watts	5 va	5 kwh
Secondary Phase B or Phase BC if 3 Phase	Phase Amperes	Phase Real Power	Phase Apparent Power	Phase Kilowatt-Hours
6 volts	6 amps	6 watts	6 va	6 kwh
Secondary Phase C or Phase AC if 3 Phase	Phase Amperes	Phase Real Power	Phase Apparent Power	Phase Kilowatt-Hours

**NOTE: Some GU models have Dual Inputs with Monitoring or Dual Inline Monitoring, these units can have up to three additional Power readings.**

**Table C.3 Breakers/Circuits**

BREAKER 1	BREAKER 2	BREAKER 3	BREAKER 4	BREAKER 5	BREAKER 6
Breaker / Circuit 1 Amps	Breaker / Circuit 2 Amps	Breaker / Circuit 3 Amps	Breaker / Circuit 4 Amps	Breaker / Circuit 5 Amps	Breaker / Circuit 6 Amps

**Table C.4 Totals**

<b>TOTAL WATTS (REAL POWER)</b>	<b>TOTAL VA (APPARENT POWER)</b>	<b>TOTAL KWH</b>
The total of Watts shown in sections 1-6	The total of VA shown in sections 1-6	The total kWh shown in sections 1-6

**NOTE:** The tables above are an outline of data that is present in the database .csv file as is not representative of the actual format of the .csv file. Data stored will vary based on product configuration.

## Appendix D: Available Sensors

### D.1 Remote sensors

- SRT: Stainless Remote Temperature
- GTHD: Temperature/Humidity/Dew Point
- GT3HD: Temperature/Humidity/Dew Point with two SRT sensors
- RTAFHD3: Temperature/Air Flow/Humidity/Dew Point
- A2D: Converts analog I/O Sensors to Remote Digital Sensors

### D.2 Analog I/O sensors

- FS-15: Flood (Water) Sensor
- PFS-100 US / PFS-100 UN: Power Failure Sensor
- RPDS: Door Switch Kit

### D.3 Connecting remote sensors

Up to sixteen plug-and-play remote sensors can be attached to the unit at any time via the RJ-12 connectors on the front of the unit. In some cases splitters may be required to add additional sensors. Each sensor has a unique serial number and is automatically discovered and added to the web page. The display order of the sensors on the web, is determined by the serial number of each sensor. You can customize names of each sensor on the Sensors Overview page.

**NOTE: Sensors use cat 5, CMP wire and RJ-12 connectors. Wiring must be straight-through. Reverse polarity temporarily disables all of the sensors until corrected. Sensors use a serial communication protocol and are subject to network signaling constraints dependent on shielding, environmental noise and length of wire. Typical installations allow runs of up to 600 feet of sensor wire.**

This page intentionally left blank

## Appendix E: IMD Display Codes

Table D.1 IMD Display Codes

DISPLAY	IMD TYPE	EXPLANATION
"Err1"	IMD-01 (Metered only)	The IMD discovered either 0 or more than 1 input boards. This may be caused by internal cabling issues or an unresponsive input board. This is also displayed if there is a measurement error reported by the input board.
"8888"	IMD-02, IMD-03, IMD-3	IMD is booting and has yet to discover the simple display and shows "boot" on it. If this is displayed for more than a few seconds there is either a problem with the display board or internal cabling.
"--" (Two dashes on the right most display position)	IMD-02, IMD-03, IMD-3	The IMD cannot communicate with the input board. This may also be shown intermittently for individual measurements. There is either a problem with the input board or internal cabling.
"boot"	IMD-01	IMD is booting and discovering the input board.
"boot"	IMD-02, IMD-03, IMD-3	Firmware is initializing. This will be displayed while firmware is being updated in slave boards.
"updt"	IMD-02, IMD-03, IMD-3	Firmware update in progress.
"rset dflt"	IMD-02, IMD-03, IMD-3	Following user action, rset (reset) will appear during a parameter reset sequence. During a parameter reset, dflt (default) will appear briefly
"bcup"	IMD-02, IMD-03, IMD-3	Bcup (backup) will appear during a configuration backup
"rest conf"	IMD-02, IMD-03, IMD-3	Rest (restore) and Conf (configuration) will appear during a configuration restore

This page intentionally left blank







---

VertivCo.com | Vertiv Headquarters, 1050 Dearborn Drive, Columbus, OH, 43085, USA

© 2019 Vertiv Co. All rights reserved. Vertiv and the Vertiv logo are trademarks or registered trademarks of Vertiv Co. All other names and logos referred to are trade names, trademarks or registered trademarks of their respective owners. While every precaution has been taken to ensure accuracy and completeness herein, Vertiv Co. assumes no responsibility, and disclaims all liability, for damages resulting from use of this information or for any errors or omissions. Specifications are subject to change without notice.

VM1157/590-2195-501B