

UNIVERSAL FRONT DOOR HINGE INSTALLATION

TOOLS REQUIRED

Hex Key (Provided)
#2 Phillips Driver

- 1) Determine door swing in order to know what side to install hinges. (FIGURE A)

NOTE: If two sets of mounting holes are present, use the lower holes.

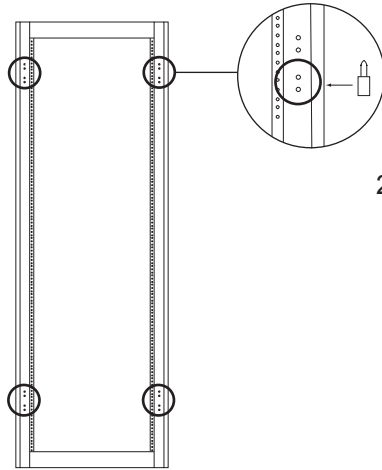


FIGURE A

- 2) Knock out cover plate (if installed) and discard. (FIGURE B)

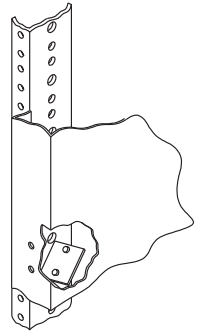


FIGURE B

- 3) Install male hinge to the enclosure. (FIGURE C)

NOTE: Hinge post ships with washer preinstalled. If the washer has come off during shipping, it must be reinstalled.

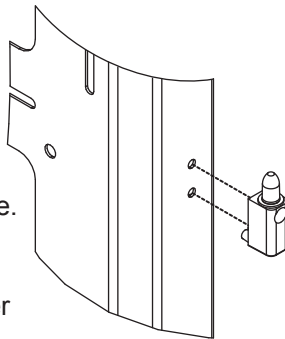


FIGURE C

- 4) Install screws using a #2 Phillips driver. Install decorative cap. (FIGURE D)

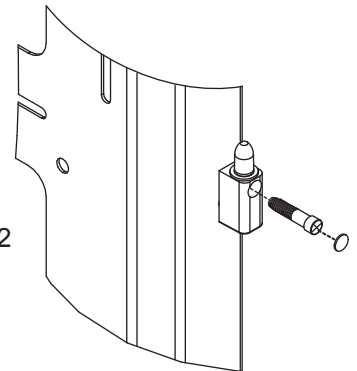


FIGURE D

- 5) Install female hinge to the door using provided hex key. (FIGURE E)

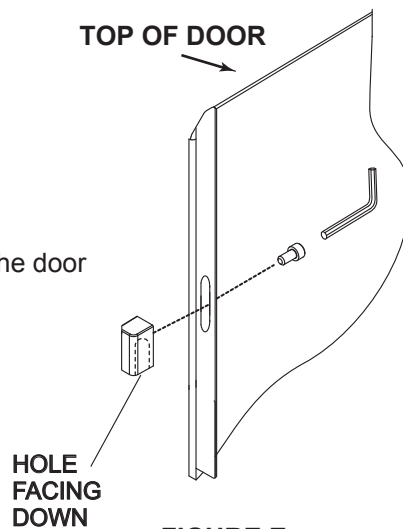


FIGURE E

- 6) Install the door. (FIGURE F)

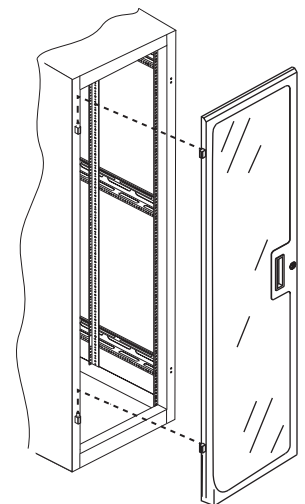


FIGURE F