

INSTRUCTION SHEET

LACE-OWP / LACE-OP

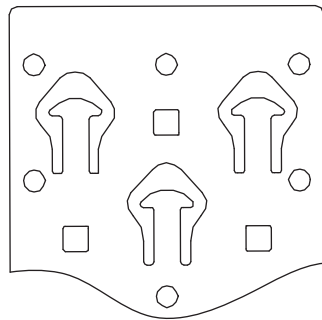
VERTICAL LACER STRIPS



LACE-OWP



LACE-OP



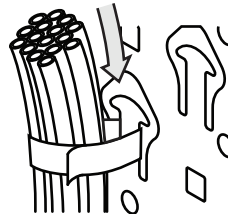
POSITION AS SHOWN
FOR INSTALLATION

THANK YOU

Thank you for purchasing the Vertical Lacer Strips. Please read these instructions thoroughly before installing this product.

PRODUCT FEATURES

- Unique slot pattern includes tie posts for sliding on pre-assembled cable bundles
- Mounting holes accept Cage Nuts as well as PD Slim and PDT Series vertical power strips
- Accepts cable ties and hook and loop straps up to 3/4" wide



PARTS

A) MOUNTING SCREW



QTY

24

B) RECTANGLE NUT



QTY

24

C) LACER STRIP



QTY

6

INSTALLATION

1) Mount Lacer Strip to Rackrail Brackets as shown using Mounting Screw and Rectangle Nut. Strip can be mounted to Fixed Hole, or Adjustable Slot for ease of movement.

(Fixed Hole mounting shown - FIGURE A)

- 37, 40 and 44 space Lacer Strips use four mounting points

- 23 space Lacer Strips use two or three mounting points, R4 Series Rack side shown **(FIGURE B)**

NOTE: Certain series racks have only Fixed Hole or Adjustable Slot mounting

- 13 space Lacer Strips use two mounting points **(FIGURE A)**

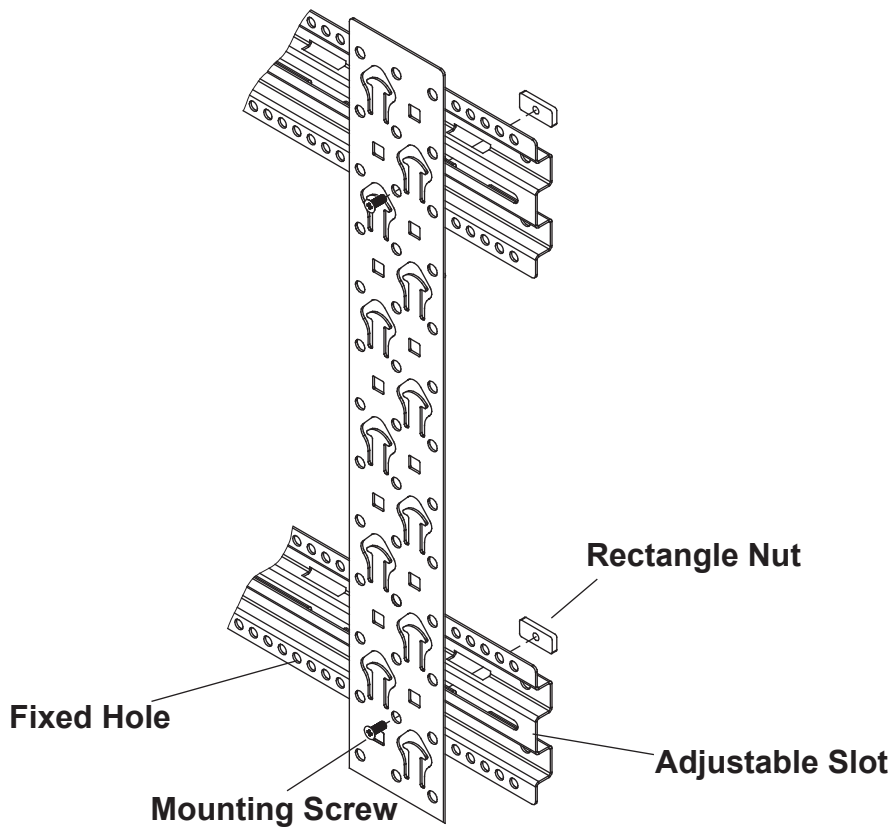


FIGURE A

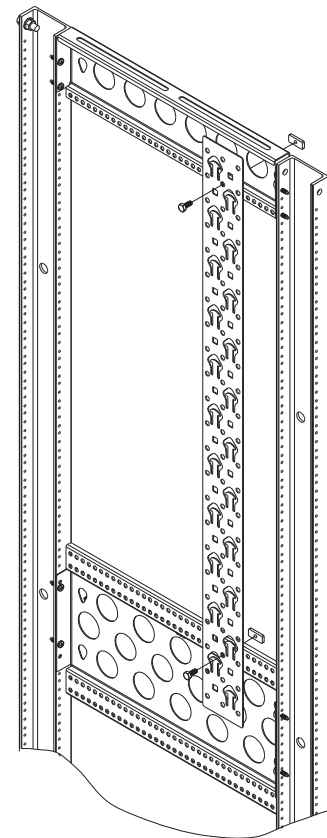
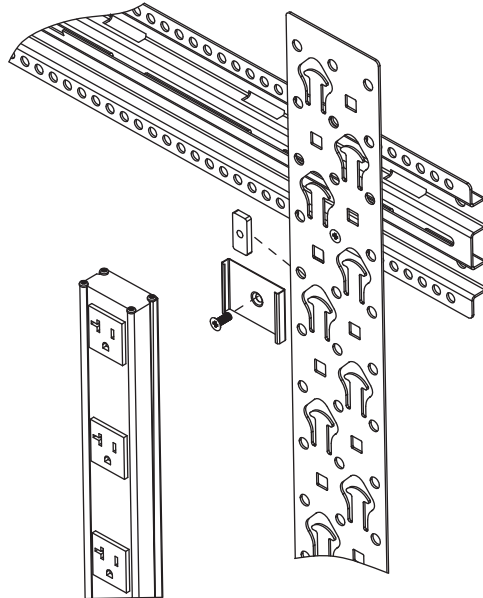


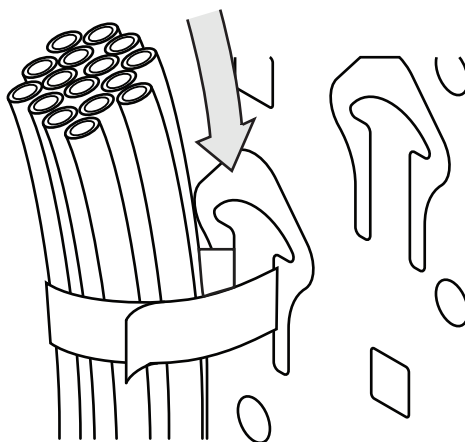
FIGURE B

MOUNTING OPTIONS

- 1) Accepts Middle Atlantic Products PD Series Slim Power Strips & PDT Series Thin Power Strips. Install as show. (Clips and mounting hardware included with Power Strip)



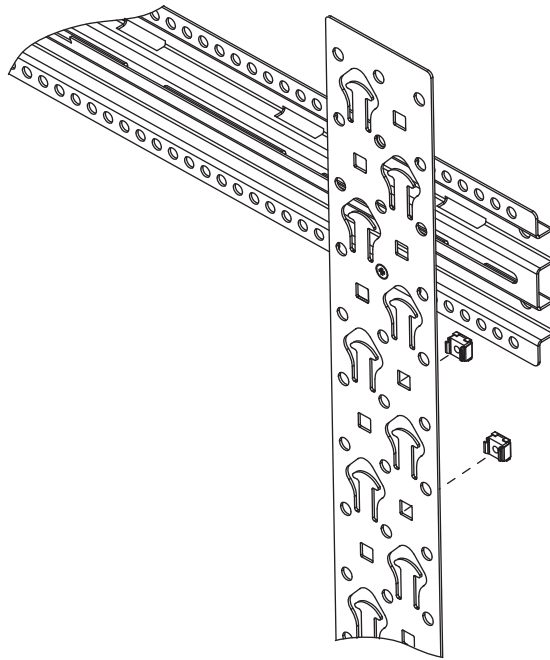
- 2) Cable tie points for hook and loop straps and cable ties up to 3/4" wide. Unique design allows for mounting pre-bundled cabling.



(EXPLODED VIEW OF CABLE TIE POINT)

MOUNTING OPTIONS CONTINUED

3) Square mounting points provide multiple mounting locations for Cage Nuts.



WARRANTY

Middle Atlantic Products, Inc. (the "Company") warrants the Vertical Lacer Strip to be free from defects in material or workmanship under normal use and conditions for the lifetime of the product.

The Company's entire liability to the purchaser, and the purchaser's (or any other party's) sole and exclusive remedy, under this warranty shall be limited, at the Company's option, to either (a) return of and refund of the price paid for, or (b) repair or replacement at the Company's factory of the products purchased, or any part or parts thereof, which the Company has determined to be defective after inspection thereof at the Company's factory.

This warranty does not cover damage due to acts of God, accident, misuse, abuse or negligence by parties other than the Company, or any modification or alteration of the products. In addition, this warranty does not cover damage due to improper handling, assembly, installation or maintenance.

THIS WARRANTY IS IN LIEU OF ALL OTHER WARRANTIES OF ANY KIND, EITHER EXPRESSED OR IMPLIED, INCLUDING, BUT NOT LIMITED TO, IMPLIED WARRANTIES OF MERCHANTABILITY AND FITNESS FOR A PARTICULAR PURPOSE.

TO THE MAXIMUM EXTENT PERMITTED BY APPLICABLE LAW, IN NO EVENT SHALL THE COMPANY BE LIABLE FOR ANY SPECIAL, INCIDENTAL, INDIRECT, OR CONSEQUENTIAL DAMAGES WHATSOEVER (INCLUDING, WITHOUT LIMITATION, DAMAGES FOR LOSS OF BUSINESS PROFITS, BUSINESS INTERRUPTION OR ANY OTHER PECUNIARY LOSS) ARISING OUT OF THE USE OF THE PRODUCTS PURCHASED, EVEN IF THE COMPANY HAS BEEN ADVISED OF THE POSSIBILITY OF SUCH DAMAGES. THE COMPANY'S LIABILITY TO THE PURCHASER (OR ANY OTHER PARTY) HEREUNDER, IF ANY, SHALL IN NO EVENT EXCEED THE PURCHASE PRICE OF THE PRODUCTS PAID TO THE COMPANY.

Corporate Headquarters

Corporate Voice 973-839-1011 - Fax 973-839-1976 / International Voice +1 973-839-8821 - Fax +1 973-839-4982
middleatlantic.com - info@middleatlantic.com

Middle Atlantic Canada

Voice 613-836-2501 - Fax 613-836-2690 / middleatlantic.ca - customerservicecanada@middleatlantic.ca

Factory Distribution

USA: NJ - CA - IL Canada: ON - BC

At Middle Atlantic Products we are always listening. Your comments are welcome.



30% Recycled Paper