

1 2 3 4 5 6

A

B

C

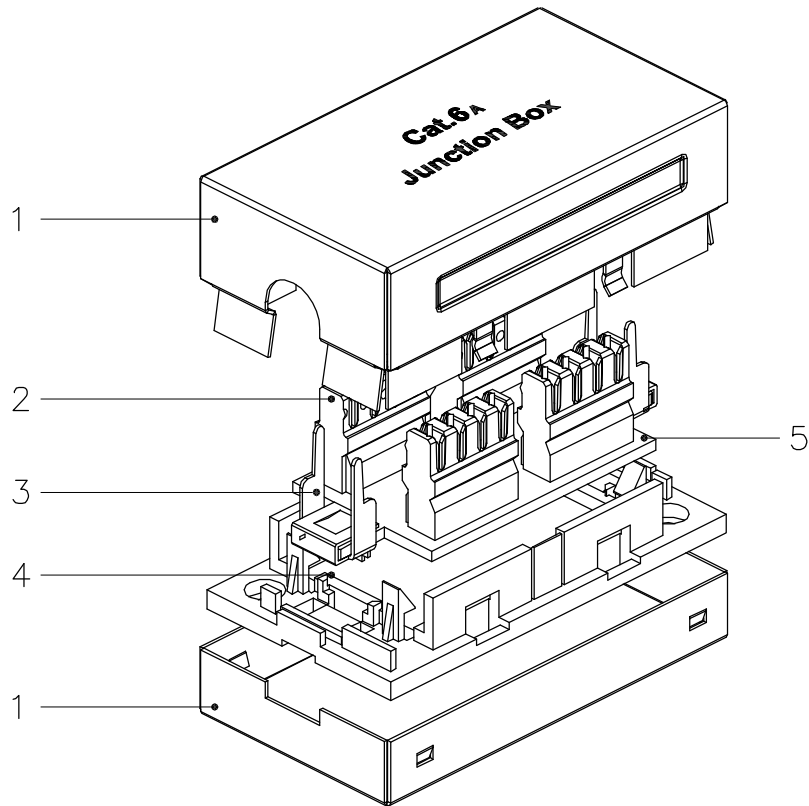
D

A

B

C

D

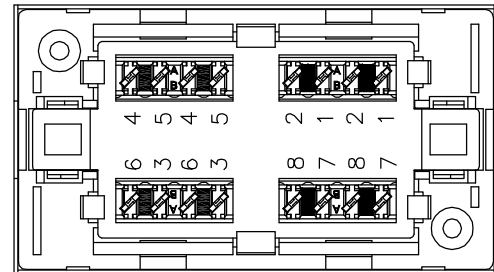
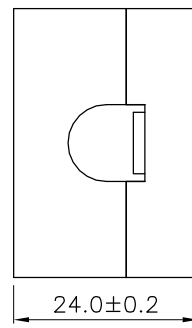
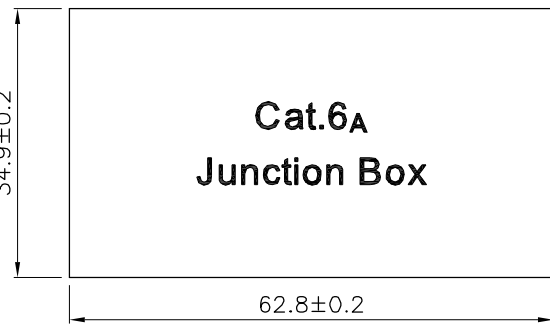
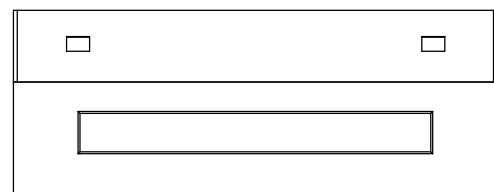


SCALE 1/1

Specification:

- Material :
- 1. Metal Cover : SPCC, 0.5 mm thickness with Nickel plated.
  - 2. IDC :
    - 2-1. Housing : PC, UL 94V-2.
    - 2-2. Terminal : Phosphor Bronze with Tin plated.
  - 3. Cable Holder : Phosphor Bronze 0.5 mm thickness with Nickel plated.
  - 4. Housing : ABS+PC, UL 94V-0.
  - 5. PCB : FR4, UL 94V-0.

- Performance :
- a. T568A & T568B wiring Printing on IDC.
  - b. Operating temperature : -10°C to 60°C. (ISO/IEC 11801, ANSI/TIA/EIA 568 C.2)
  - c. Durability :
    - \*IDC : Suitable for 22-26 AWG stranded and solid wire, compatible with both 110 & Krone punch down tool.
  - d. The Cat.6A transmission performance is in compliance with the ANSI/TIA/EIA 568 C.2 standard.



GENERAL TOLERANCE OF DIMENSIONS X.XXX ±0.005 X.XX ±0.05 X.X ±0.1	DRAWING	01.FEB.2016	WESLEY	<h1>Velocity</h1>
	CHECK	01.FEB.2016	DAY	
	APPROVAL	01.FEB.2016	JAIMY	
	DATE		NAME	
SCALE	1/1 (A4)	UNIT	mm	DES.: CAT.6A FULL SHIELDED BOX
		DRAWING NO. AAGBA0200053115 JE316-KDA-CA6FS(S02)		02
		DRAWING CLASSIFICATION		

1 2 3 4 5 6

0 10cm