

19" WALL MOUNTED PATCHING CABINET

PRODUCT IMAGE:



FEATURES:

This cost effective Wall Mount Cabinet is ideal for Copper and Fibre Patch Panels and PDUs in the office environment.

- lockable tempered glass door that opens 180 degrees offering good access to equipment.
- Extra 63mm depth on the front door helps maintain bend radius on patch cables and leads.
- Removable plates top and bottom for cable entry or mounting cable glands.
- Rack comes complete with cage nuts and screws.
- Totally enclosed for extra security on site.
- 4 wall fixings included.
- Working depth 300mm.

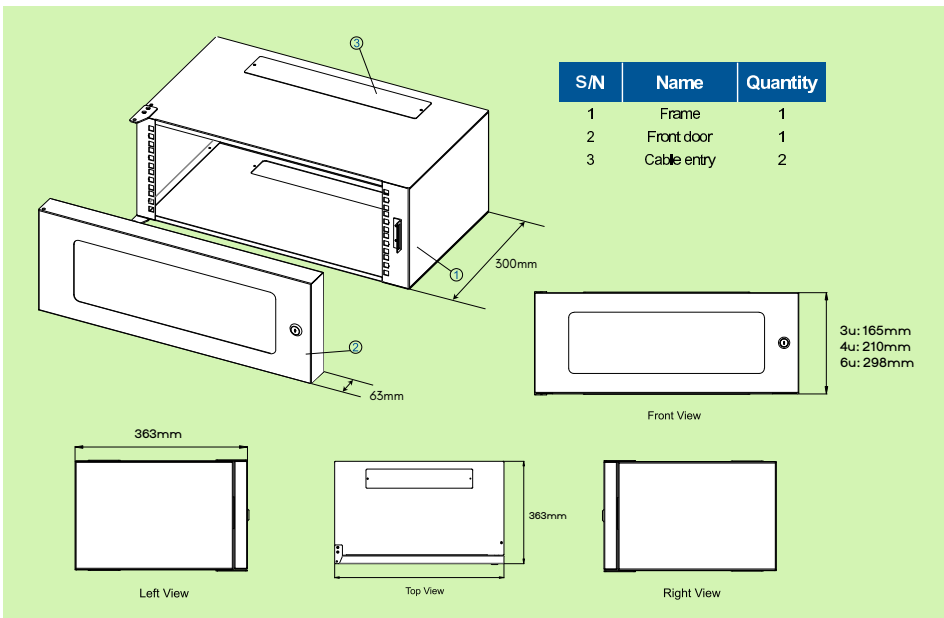
PRODUCT DIMENSIONS

52-1023 : 3u = 540mm (w) x 363mm (d) x 165mm (h)
 52-1024 : 4u = 540mm (w) x 363mm (d) x 210mm (h)
 52-1026 : 6u = 540mm (w) x 363mm (d) x 298mm (h)

COLOUR:

RAL9005 BLACK

PRODUCT TECHNICAL DRAWING



MATERIAL:

SPCC Cold Rolled Steel.

INCLUDES:

- 3u** 12 M6 Black Cage nuts and screws
- 4u** 16 M6 Black Cage nuts and screws
- 6u** 24 M6 Black Cage nuts and screws