

## CAT6/6A 8p8c 2 Part FTP Plug for 8mm Cable



**High performance shielded connector suitable for termination of extra large outer diameter cables for Category 6 and Category 6A**

### ***Features***

- Designed for Category 6 and 6A performance
- Able to accommodate Category 6A and 7 cable with overall cable O.D. up to 8mm
- Suitable for inner cores up to 1.5mm O.D.
- 3 prong contacts for solid and stranded cable
- 2 part plug
- Shielded
- No soldering required

### ***Specifications***

- Housing colour: Transparent

- Material:

Housing: Polycarbonate UL 94V-0

Contact: 50 $\mu$ "/1.27 $\mu$ m gold plated phosphor bronze

Shell: Brass



### **Strain Relief Boot**

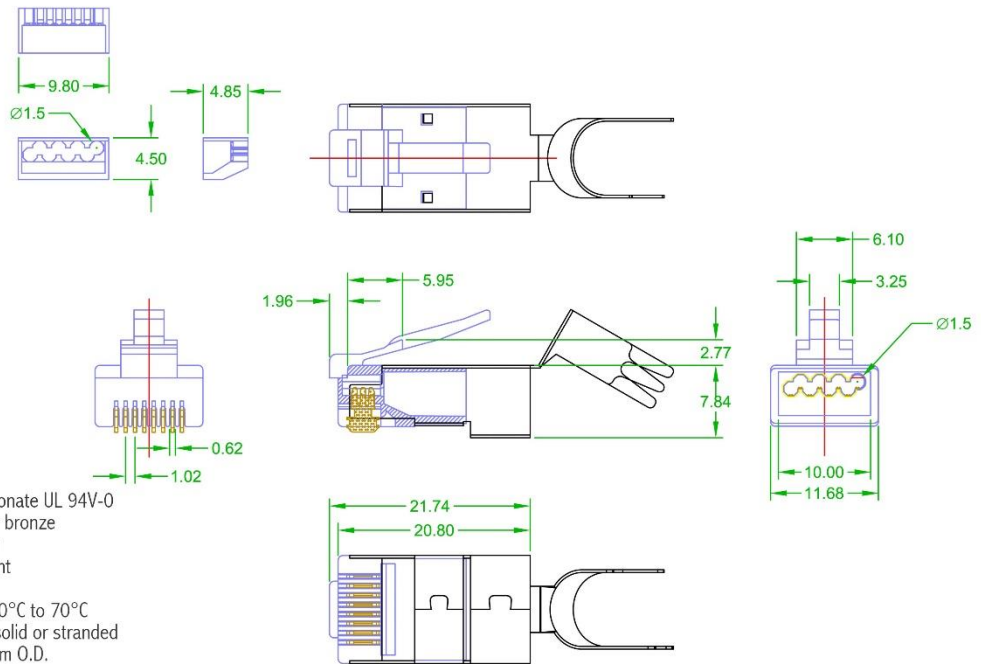
Transparent PVC Strain Boot

Black PVC Strain Boot

White PVC Strain Boot

## Drawing for the Connector

ROHS Compliant



1. Housing Material: Polycarbonate UL 94V-0
2. Material Contact: Phosphor bronze
3. Gold Plating:  $50\mu"/1.27\mu\text{m}$
4. Housing Colour: Transparent
5. Material Shell: Brass
6. Operating Temperature:  $-40^{\circ}\text{C}$  to  $70^{\circ}\text{C}$
7. 3 prong contact blade for solid or stranded
8. For inner cores up to 1.5mm O.D.
9. For overall cable O.D. up to 8mm

## Crimp Tool for the above FTP Plug with rear shield grip



### **Features:**

High quality tool designed for everyday use

Multi-purpose tool: crimps, cuts and strips for quick one tool applications

Strips and cuts round Category 5e – 7 UTP and FTP cable

Crimps RJ45 plugs with only 1 compression point

Precise CNC ground fabricated teeth for crimper

### **Specifications**

Weight: 230g approximately

Colour: Black and red

Materials: Frame: S45C middle carbon steel with black oxide finish Grip: ThermoPlastic Rubber

Length: 210mm