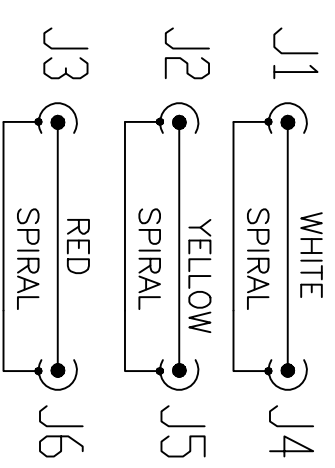


REQUIREMENTS:

1:100% short, open and miss wire test.

⑤	MOLDED	RED 45P PVC	8.4	G
④	MOLDED	YELLOW 45P PVC	8.4	G
③	MOLDED	WHITE 45P PVC	8.4	G
②	CONNECTOR	RCA TUBULAR MALE.; WHITE INSULATOR, GOLD FLASH SHELL	6	PCS
①	CABLE	(10/0.10CCS+SPIRAL28*0.10CCS+PVC)*3C JACKET:BLACK PVC OD:2.8*8.4MM	3	M
NO.	MATERIAL	DESCRIPTIONG	QTY.	UNIT

PIN OUT



Litemref	Quantity	Title/Name, designation, material, dimension etc	Article No./Reference
Designed by ACHY		Checked by HELEN	Approved by - date MARCH 4, 2012
		File name PCA/M-3-RCA/M-3-L-1MM	Date MARCH 4, 2012

3M3RCA		Edition	Scale
3M3RCA		1	FREE
3M3RCA		1	1/1