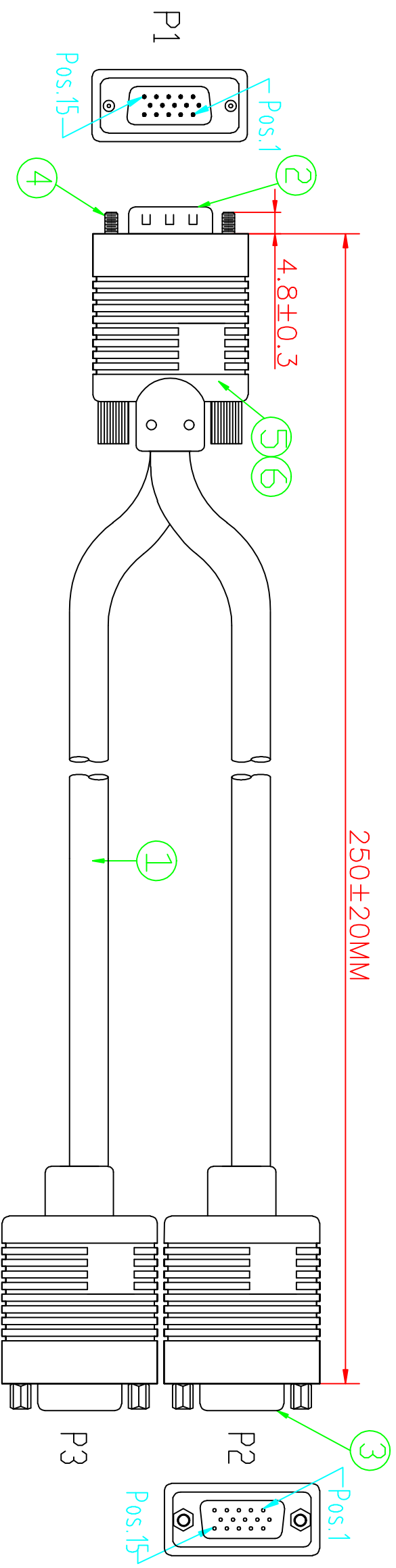


RevNo	Revision note	Date	Signature	Checked
-------	---------------	------	-----------	---------



NOTES:

- 1:100% short,open and miss wire test.
- 2:Insulation resistance:DC300V 10MΩ(Min)
Conduction resistance 5Ω(Max)

⑥	OUTER MOLDED	BLACK 45P PVC	0.03	KG
⑤	INTER MOLDED	LDPE	0.02	KG
④	SCREW	#4-40UNC 2.3*45.5MM,BLACK PVC	2	PCS
③	CONNECTOR	HDB 15PIN/FEMALE WITH FRONT RIVET NUT,BLUE INSULATOR,NICKEL PLATED SHELL, GOLD PLATED PIN	2	PCS
②	CONNECTOR	HDB 15PIN/MALE BLUE INSULATOR,NICKEL PLATED SHELL,GOLD PLATED PIN	1	PCS
①	CABLE	(1C*28#+D+AL+PVC)*3C+8C*28#+AL+D+B JACKET:BLACK PVC,OD:8.0±0.15 MARKING :AWM STYLE 2919 80°C 30V LOW VOLTAGE COMPUTER CABLE ROHS COMPLIANT	500	MM
NO.	MATERIAL	DESCRIPTION	QTY.	UNIT

P2	Red coax conductor	P1	Red coax conductor	P3
1	Green coax conductor	1	Green coax conductor	1
2	Blue coax conductor	2	Blue coax conductor	2
3		3		3
4		4		4
5	Red coax drain	5	Red coax drain	5
6	Green coax drain	6	Green coax drain	6
7	Blue coax drain	7	Blue coax drain	7
8		8		8
10		10		10
11		11		11
12		12		12
13		13		13
14		14		14
15	shell	15	Drain	15
			shell	

Ltref	Quantity	Title/Name,designation,material,dimension etc	Article No./Reference
Designed by ACHY	Checked by HELEN	Approved by - date OCT 16,2014	File name HDB15PIN M/F-2 L-0.2M
24,2980			Date OCT 16,2014

24,2980	Scale FREE
24,2980	Scale FREE
1	Edition
1/1	Sheet