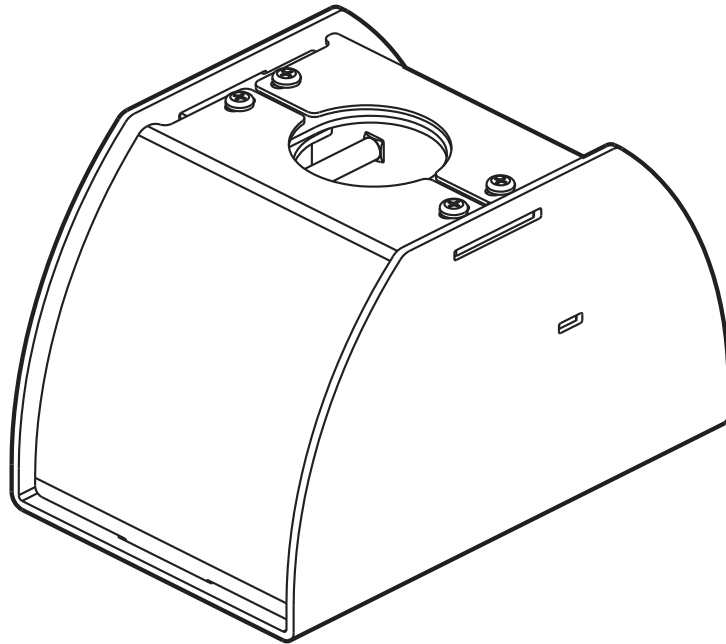

INSTALLATION INSTRUCTIONS



Clamp-Style Column Base

DISCLAIMER

Milestone AV Technologies and its affiliated corporations and subsidiaries (collectively "Milestone"), intend to make this manual accurate and complete. However, Milestone makes no claim that the information contained herein covers all details, conditions or variations, nor does it provide for every possible contingency in connection with the installation or use of this product. The information contained in this document is subject to change without notice or obligation of any kind. Milestone makes no representation of warranty, expressed or implied, regarding the information contained herein. Milestone assumes no responsibility for accuracy, completeness or sufficiency of the information contained in this document.

Chief® is a registered trademark of Milestone AV Technologies. All rights reserved.

DEFINITIONS

MOUNTING SYSTEM: A MOUNTING SYSTEM is the primary Chief product to which an accessory and/or component is attached.

ACCESSORY: AN ACCESSORY is the secondary Chief product which is attached to a primary Chief product, and may have a component attached or setting on it.

COMPONENT: A COMPONENT is an audiovisual item designed to be attached or resting on an accessory or mounting system such as a video camera, CPU, screen, display, projector, etc.



WARNING: A WARNING alerts you to the possibility of serious injury or death if you do not follow the instructions.



CAUTION: A CAUTION alerts you to the possibility of damage or destruction of equipment if you do not follow the corresponding instructions.



IMPORTANT SAFETY INSTRUCTIONS



WARNING: Failure to read, thoroughly understand, and follow all instructions can result in serious personal injury, damage to equipment, or voiding of factory warranty! It is the installer's responsibility to make sure all accessories are properly assembled and installed using the instructions provided.



WARNING: Failure to provide adequate structural strength for this accessory can result in serious personal injury or damage to equipment! It is the installer's responsibility to make sure the structure to which this accessory is attached can support five times the combined weight of all equipment. Reinforce the structure as required before installing the accessory.



WARNING: Exceeding the weight capacity can result in serious personal injury or damage to equipment! It is the installer's responsibility to make sure the combined weight of all components attached to accessory does not exceed 500 lbs (226.8 kg).

- The weight capacity of the CPA353 may be LIMITED to the lowest weight capacity of any other component or accessory used within the mounting system.



WARNING: Use this accessory only for its intended use as described in these instructions. Do not use attachments not recommended by the manufacturer.



WARNING: Never operate this accessory if it is damaged. Return the accessory to a service center for examination and repair.



WARNING: Do not use this accessory outdoors.

IMPORTANT ! : The CPA353 accessory is designed to be:

- mounted to a 2" x 6" wood framework (hardware not included) covered with 5/8" drywall (ceiling); or
- mounted to an 8" concrete structure using either 1/4" x 2-1/2" lag bolts for Toggler AF8 anchors (not included), or 5/16" x 2-1/2" lag bolts for Fischer UX10 concrete anchors (not included).

NOTE: The CPA353 may be used with the UL Listed CPA Extension Column series, CPA Perforated Extension Column series, UL Listed CMS Extension Column series, CMA ceiling plates and CPA ceiling plates.



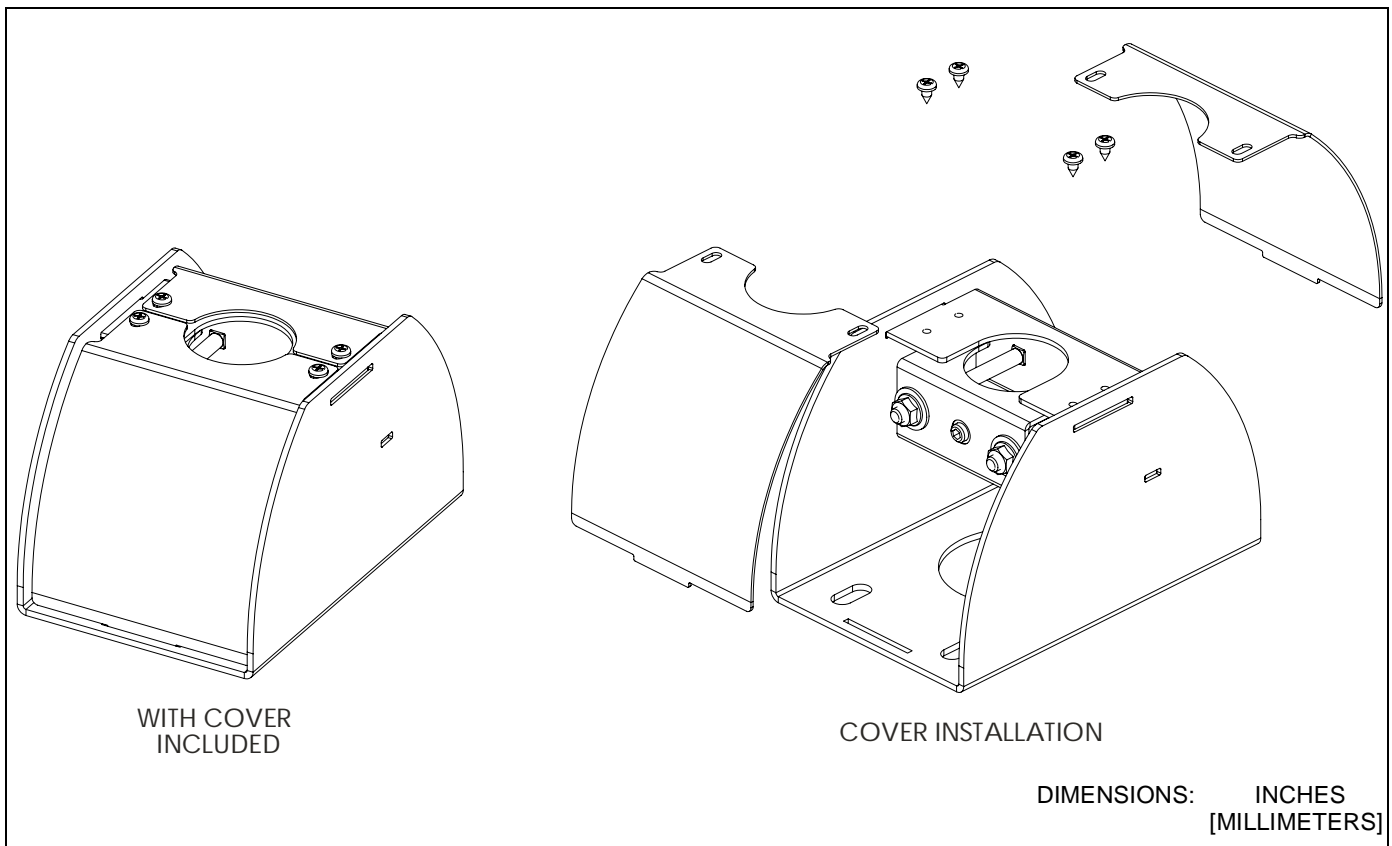
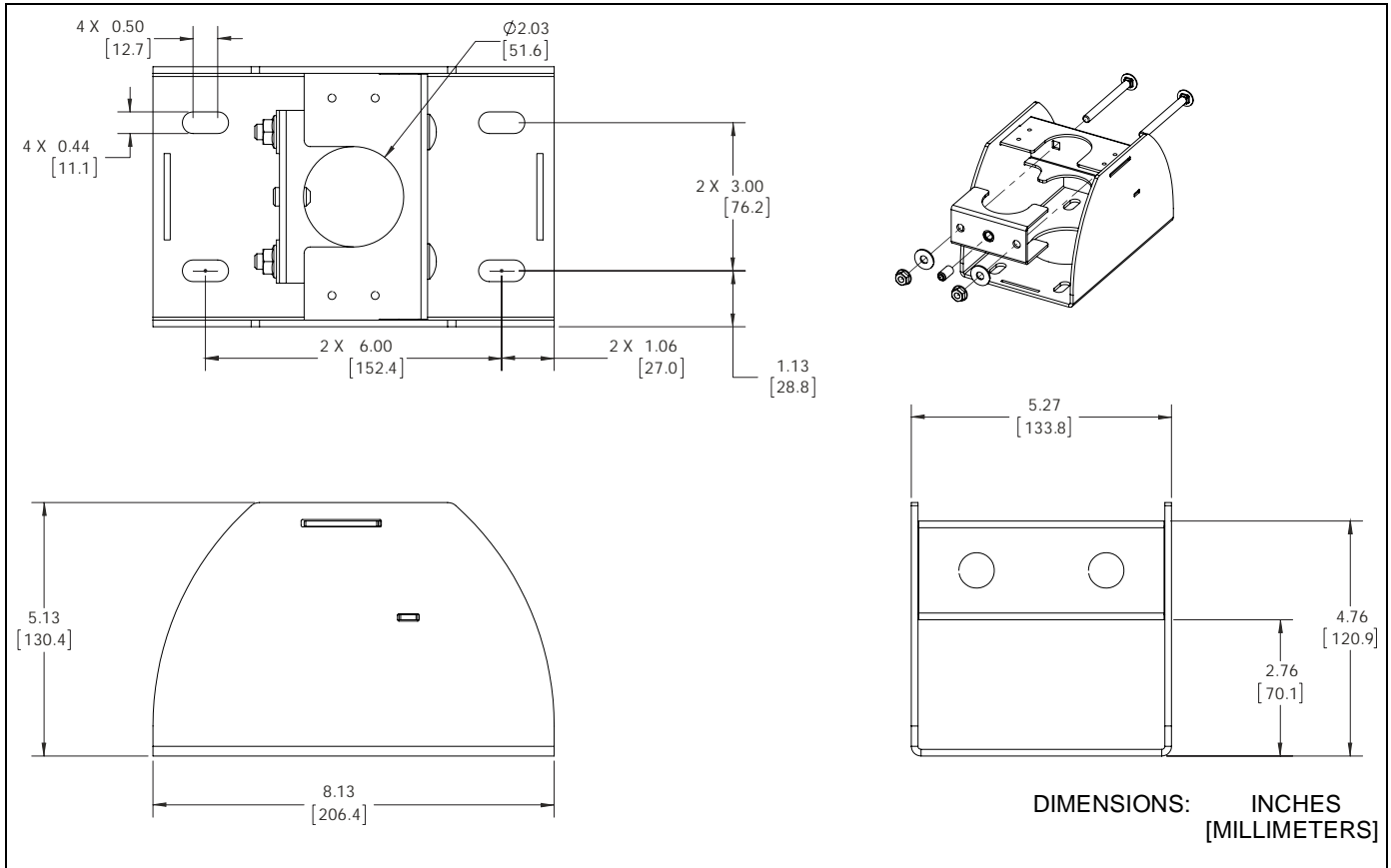
WARNING: Do NOT attach to vertical mounting surfaces such as walls or angled ceilings!



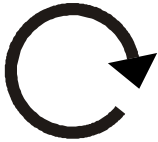

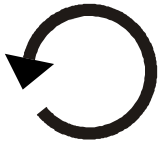





WARNING: The CPA353 **MUST** be used along with a second CPA353 [one as a ceiling attachment, one as a floor attachment] **OR** as a floor attachment in conjunction with a CPA or CMA ceiling plate as a ceiling attachment. The CPA353 may **NOT** be used as a ceiling plate without a second CPA353 as a floor attachment.

--SAVE THESE INSTRUCTIONS--

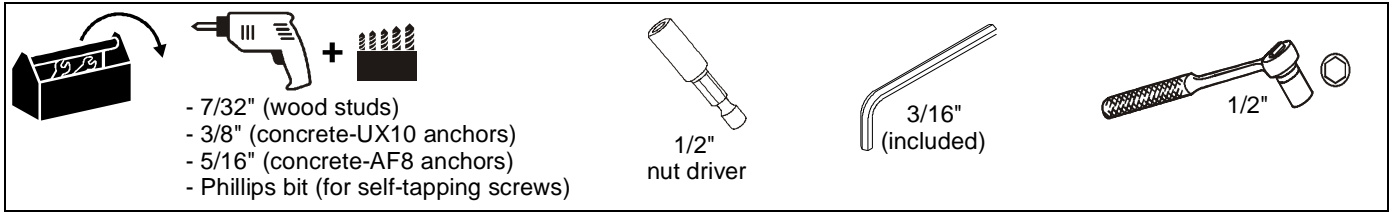
DIMENSIONS



LEGEND

	Tighten Fastener Apretar elemento de fijación Befestigungsteil festziehen Apertar fixador Serrare il fissaggio Bevestiging vastdraaien Serrez les fixations		Pencil Mark Marcar con lápiz Stiftmarkierung Marcar com lápis Segno a matita Potloodmerkteken Marquage au crayon
	Loosen Fastener Aflojar elemento de fijación Befestigungsteil lösen Desapertar fixador Allentare il fissaggio Bevestiging losdraaien Desserrez les fixations		Drill Hole Perforar Bohrloch Fazer furo Praticare un foro Gat boren Percez un trou
	By Hand A mano Von Hand Com a mão A mano Met de hand À la main		Optional Opcional Optional Opcional Opzionale Optie En option
	Hex-Head Wrench Llave de cabeza hexagonal Sechskantschlüssel Chave de cabeça sextavada Chiave esagonale Zeskantsleutel Clé à tête hexagonale		Socket Wrench Llave de cubo Steckschlüssel Chave de caixa Chiave a brugola Dopsleutel Clé à douilles

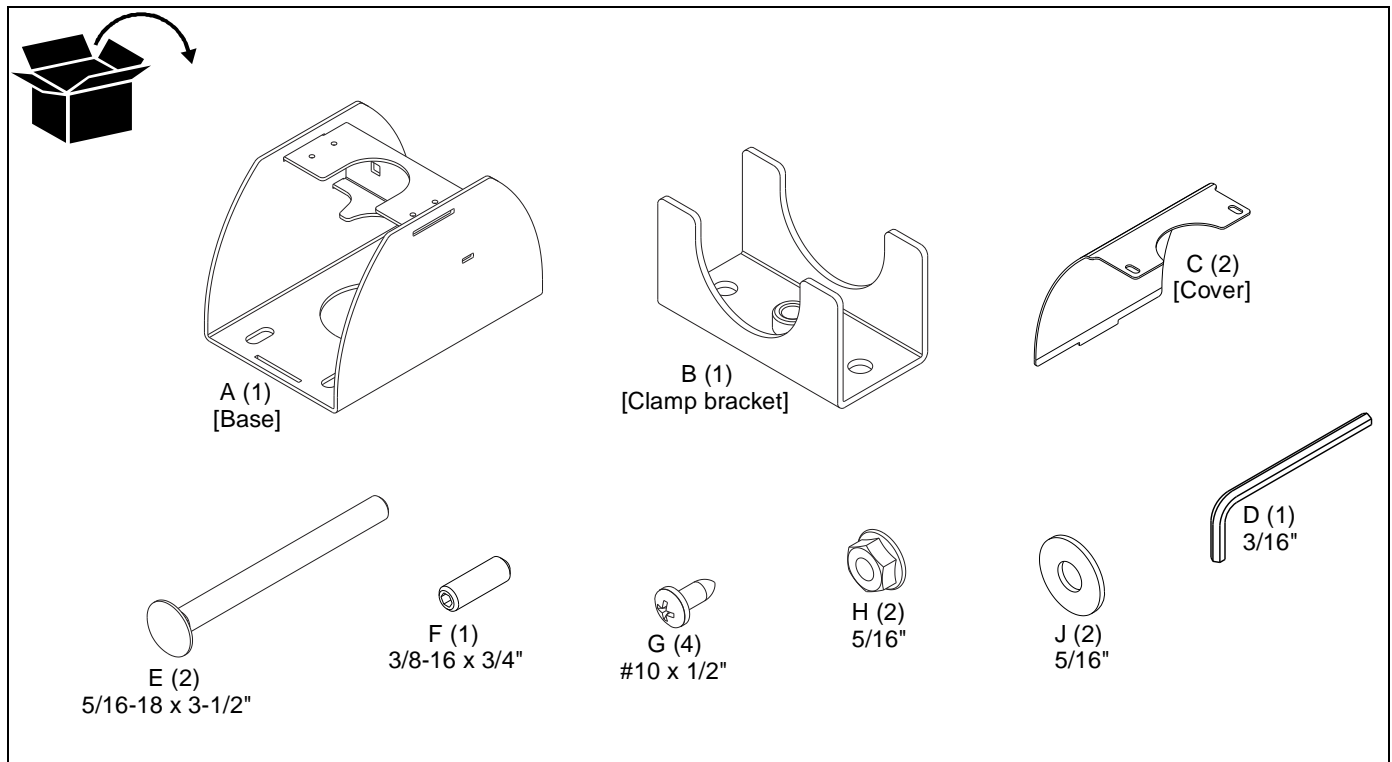
TOOLS REQUIRED FOR INSTALLATION



HARDWARE REQUIRED (NOT INCLUDED)--Dependent on installation method

- | | |
|--|---|
| <p>1. Install to wood joists</p> <ul style="list-style-type: none"> • 5/16" x 2-3/4" (minimum length) lag screws (Qty. 4) • 5/16" flat washers (Qty. 4) | <p>2. Install to solid concrete</p> <ul style="list-style-type: none"> • UX10 or AF8 anchors (Qty. 4) • 5/16" flat washers (Qty. 4) • 5/16" x 2-3/4" bolts (Qty. 4) |
|--|---|

PARTS



ASSEMBLY AND INSTALLATION

The CPA353 is designed for attachment to a double 2" x 4" wood framework, or a concrete structure.

IMPORTANT ! : The CPA353 must be used for both the ceiling and floor attachment, OR may be used as the floor attachment accessory in conjunction with a CPA or CMA ceiling plate.



WARNING: Do NOT attach to vertical mounting surfaces such as walls or angled ceilings!



WARNING: IMPROPER INSTALLATION CAN LEAD TO LIFT FALLING CAUSING SEVERE PERSONAL INJURY OR DAMAGE TO EQUIPMENT! It is the installer's responsibility to make certain the structure to which the mount is being attached is capable of supporting five times the weight of the CPA353 and all attached equipment. Reinforce the structure as required before installing the mount.

NOTE: The following instructions assume a suitable mounting structure and surface exists prior to installation.

Installing to a Wood Framework (Joists)

IMPORTANT ! : The CPA353 is designed to be mounted to double 2" x 4" wood stud cross bracing (6-1/2" on center) between two joists with a maximum drywall covering of 5/8".

- Using base (A) as a template, mark locations of four pilot holes (See Figure 1). Ensure the marks are in the center of wood joists.

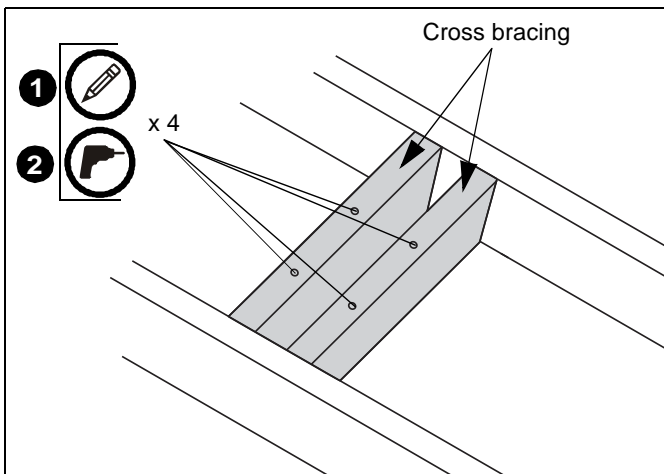
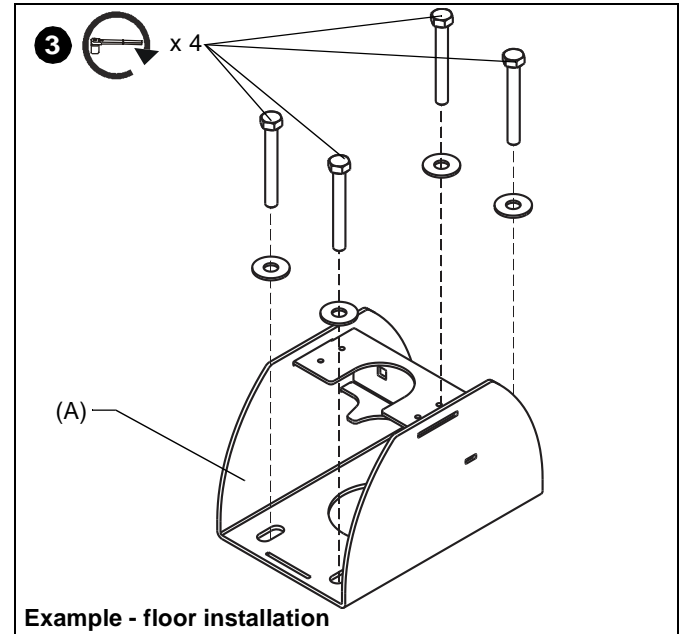


Figure 1

- Drill 7/32" diameter pilot holes into wood stud cross bracing. (See Figure 1) Ensure pilot holes are straight.
- Install and tighten four 5/16" x 2-3/4" (minimum) bolts and washers (not included) through base (A), into wood stud cross bracing. (See Figure 2) [(See Figure 3) for dimensions details.]



Example - floor installation

Figure 2

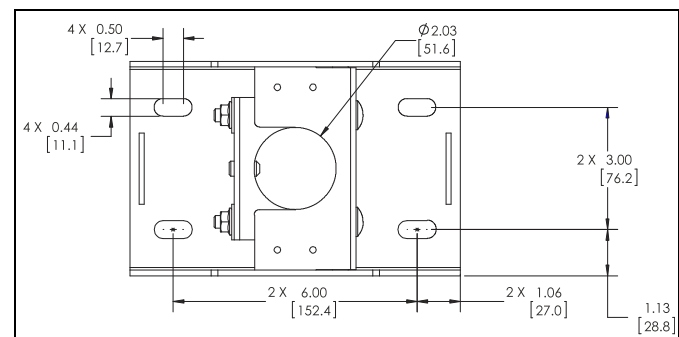


Figure 3

Installing to a Solid Concrete Structure



WARNING: The CPA353 is designed to be mounted to a concrete ceiling or floor with a minimum thickness of 8" and a maximum drywall covering of 5/8" (ceiling).



WARNING: Fischer UX10 or AF8 anchors (not provided) must be installed into structurally sound solid concrete. Installation into hollow concrete block, mortar, or concrete that exhibits cracking, spalling, or other defects may result in failure of anchor and serious personal injury or damage to equipment.

- Using base (A) as a template, mark locations of four pilot holes on ceiling or floor.
- Drill pilot holes at marked locations. If using UX10 anchors, pilot hole diameter will be 3/8". If using AF8 anchors, pilot hole diameter will be 5/16".
- Use four UX10 anchors or AF8 anchors (not provided) to secure base (A) to solid concrete ceiling or floor. See dimensions details. (See Figure 3)

4. Place base over anchors, aligning bolt holes in base with installed anchors.
5. Secure base to ceiling or floor by installing four 5/16" x 2-3/4" bolts (not provided) through four 5/16" flat washers (not provided) and into anchors.

Installing Column

1. Install UL Listed CPA or CMS Extension Column series (not included) into base.

IMPORTANT ! : If a CPA353 is being installed both to the floor **AND** to the ceiling, the extension column must rest on the floor when installed in the floor base.

2. Attach clamp bracket (B) around column and to base (A) using two 5/16 x 3-1/2" carriage bolts (E), two 5/16" washers (J), and two 5/16" flanged hex nuts (H). (See Figure 4)
3. Fully tighten one 3/8 x 3/4" set screw (F) into column. (See Figure 4)

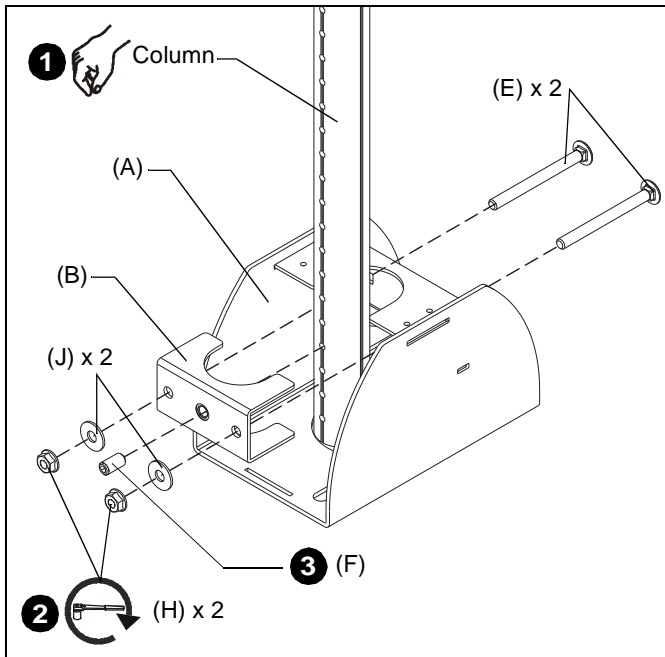


Figure 4

Installing Covers

1. Install two covers (C) onto base, inserting tabs on cover into slots at each end of base (A), and lining up the fastener holes in covers with holes in base. (See Figure 5)
2. Fasten covers into place using four #10 x 1/2" self-tapping Phillips screws (G). (See Figure 5)

NOTE: Installing the covers may be easier using a drill driver and Phillips bit to fasten the self-tapping screws.

3. Complete installation following mount installation instructions.

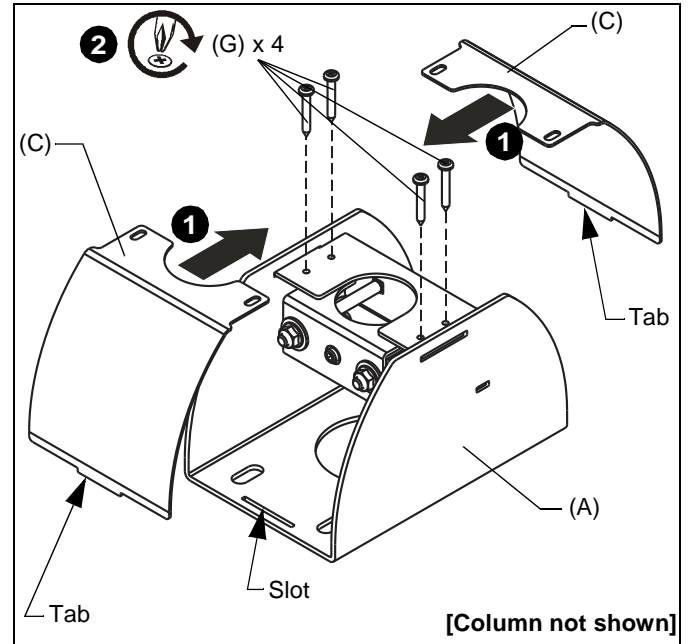


Figure 5



Our Mounts. **Your Vision.**

Chief, a products division of
Milestone AV Technologies

8800-002965 Rev00
©2017 Milestone AV Technologies
www.milestone.com
05/17

USA/International	A 6436 City West Parkway, Eden Prairie, MN 55344 P 800.582.6480 / 952.225.6000 F 877.894.6918 / 952.894.6918
Europe	A Franklinstraat 14, 6003 DK Weert, Netherlands P +31 (0) 495 580 852 F +31 (0) 495 580 845
Asia Pacific	A Office No. 918 on 9/F, Shatin Galleria 18-24 Shan Mei Street Fotan, Shatin, Hong Kong P 852 2145 4099 F 852 2145 4477

