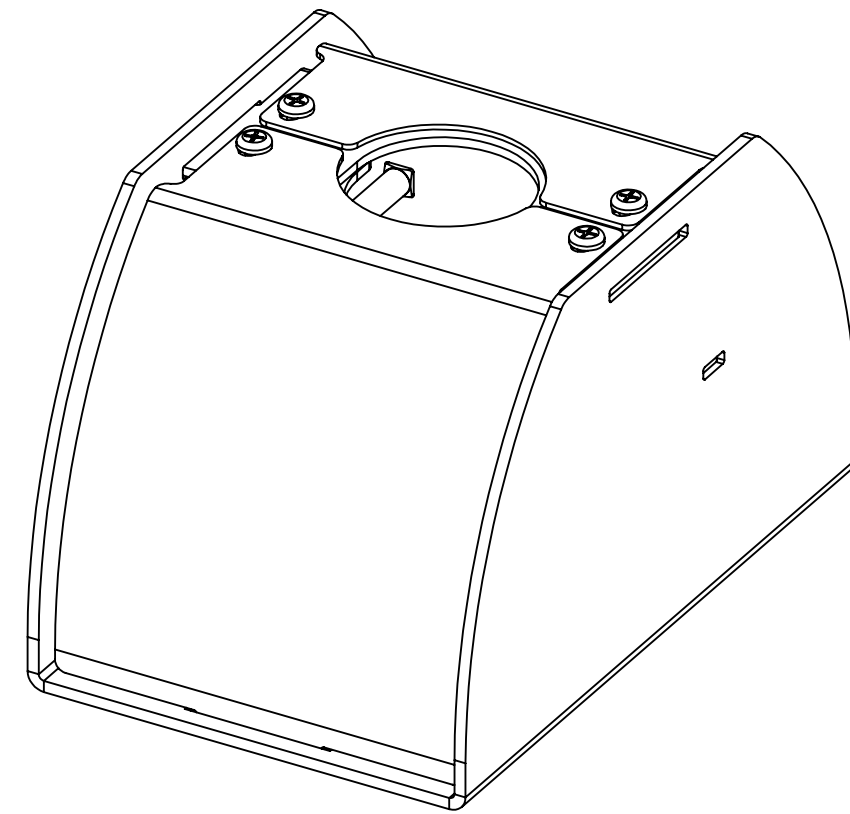
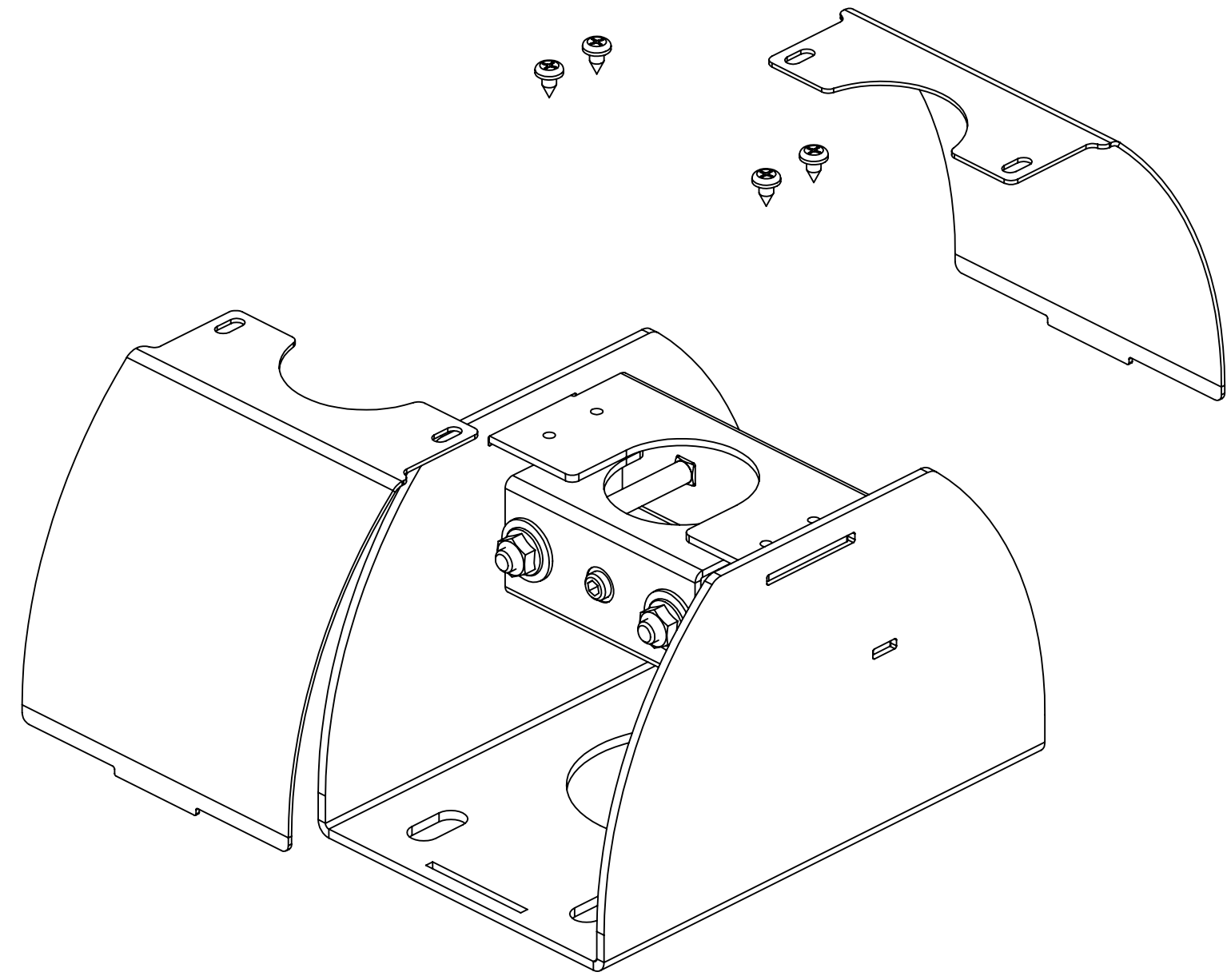


**THE INFORMATION AND DESIGNS CONTAINED IN THIS DRAWING ARE CONFIDENTIAL AND THE PROPRIETARY PROPERTY OF MILESTONE AV TECHNOLOGIES NEITHER THIS DESIGN NOR ANY INFORMATION CONTAINED IN THIS DRAWING MAY BE REPRODUCED OR DISCLOSED TO OTHERS WITHOUT THE EXPRESS WRITTEN CONSENT OF MILESTONE AV TECHNOLOGIES.**

CAD GENERATED DRAWING, DO NOT MANUALLY UPDATE.			<b>CHIEF</b> 6436 CITY WEST PKWY EDEN PRAIRIE MN, 55344 PHONE: 866-977-3901 FAX: 877-894-6918
DRAWN BY	JAB	2/22/2017	
ENG APPROVAL			DESCRIPTION <b>CLAMPING STYLE, COLUMN MOUNTING ACCESSORY</b>
MFG APPROVAL			MODEL NO. <b>CPA353</b>
QA APPROVAL			SIZE DWG. NO. REV. <b>B TECH-000840 00</b>
SHEET 1 OF 2			SCALE <b>1:4</b>



**WITH COVER INCLUDED**



**COVER INSTALLATION**

**THE INFORMATION AND DESIGNS CONTAINED IN THIS DRAWING ARE CONFIDENTIAL AND THE PROPRIETARY PROPERTY OF MILESTONE AV TECHNOLOGIES NEITHER THIS DESIGN NOR ANY INFORMATION CONTAINED IN THIS DRAWING MAY BE REPRODUCED OR DISCLOSED TO OTHERS WITHOUT THE EXPRESS WRITTEN CONSENT OF MILESTONE AV TECHNOLOGIES.**

CAD GENERATED DRAWING, DO NOT MANUALLY UPDATE.			<b>CHIEF</b> 6436 CITY WEST PKWY EDEN PRAIRIE MN, 55344 PHONE: 866-977-3901 FAX: 877-894-6918	
DRAWN BY	JAB	2/22/2017	DESCRIPTION <b>CLAMPING STYLE, COLUMN MOUNTING ACCESSORY</b>	
ENG APPROVAL			MODEL NO. <b>CPA353</b>	
MFG APPROVAL			SIZE DWG. NO. <b>B TECH-000840</b>	
QA APPROVAL			REV. <b>00</b>	
SHEET 2 OF 2		SCALE <b>1:4</b>		