



SHADOW ROCK TF 2

COMPACT COOLING, SIGNIFICANT QUIET

160W TDP

IDEAL APPLICATIONS

HTPC and small form factor PCs
High-resolution gaming and multimedia
Demanding graphics applications

HIGHLIGHTS

Very high cooling efficiency
135mm silence-optimized be quiet! fan
Connected baseplate and fins
Space-saving top-flow design

Compact Cooling, Significantly Quiet

be quiet! Shadow Rock TF 2 is the perfect cooler for PC systems with restricted space. It offers the best mix of performance and price in the premium compact CPU cooler segment.

Highlights »

- Very high cooling capacity of 160W TDP
- Space-saving top-flow design fits into cases with limited installation space
- Direct connection of baseplate to cooling fins for fast heat transfer
- Small, diagonally arranged fins create an airflow that also ensures perfect cooling for components around the socket
- Silence-optimized 135mm be quiet! fan (max. 24.4db(A)) with durable rifle-bearing technology
- Five high-performance 6mm heat pipes with aluminum heat pipe caps
- 3-year manufacturer's warranty
- Product conception, design and quality control in Germany

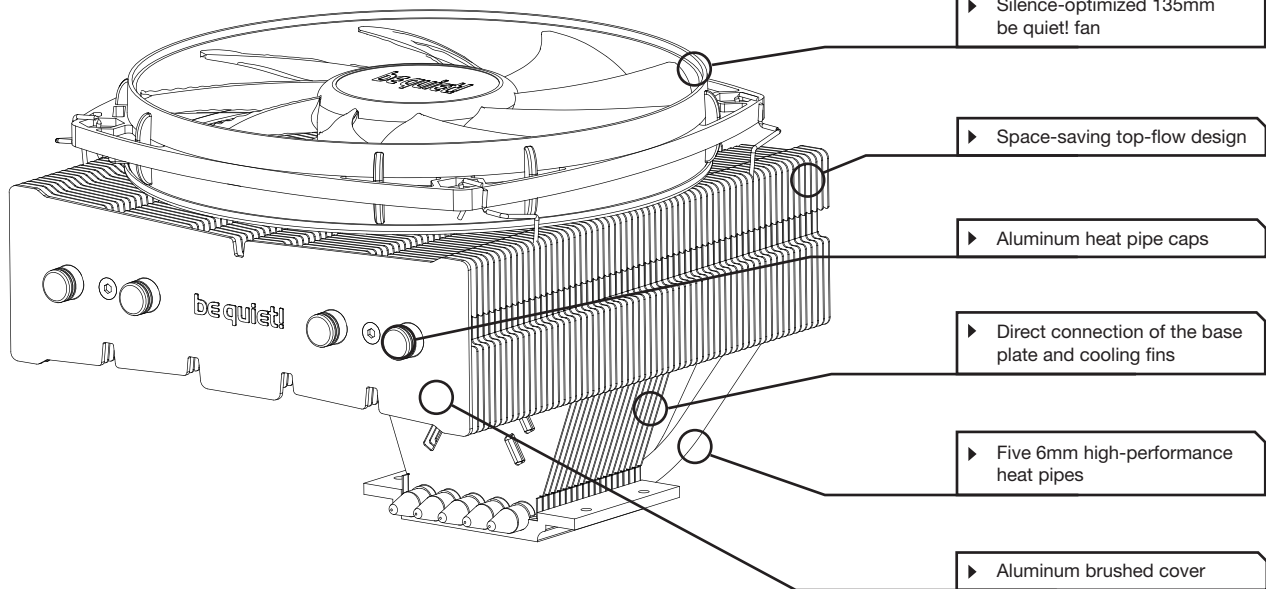
Shadow Rock TF 2 »

If you seek the best possible mix of performance and price in the premium compact CPU cooler segment, Shadow Rock TF 2 has to be your choice.

SHADOW ROCK TF 2

COMPACT COOLING, SIGNIFICANT QUIET

Details »



Technical data for complete cooler unit »

Type of cooler	Shadow Rock TF 2
Model number	BK003
Dimensions, incl. fan (L x W x H in mm)	137 x 165 x 112
Weight, incl. fan (g)	680
Heat sink material	Aluminum
Socket compatibility	Intel: 1200 / 2066 / 775 / 1150 / 1151 / 1155 / 1156 / 1366 / 2011(-3) Square ILM AMD: AM4 / AM3 (+) / AM2(+) / FM1 / FM2(+)
Maximum power capacity (W TDP)	160
Number of heat pipes / diameter (mm)	5 / 6
Noise level (dB(A)) @ 50 / 75 / 100%	11.9 / 19.3 / 24.4

Technical data for be quiet! PWM fan »

Fan dimension (mm)	135 x 135 x 22
Fan motor technology	4-pole
Bearing type	Rifle
Fan speed (rpm) @ 100% PWM	1400
Noise level (dB(A)) @ 2,000rpm	20.8
Airflow (cfm ; m3/h)	67.8 ; 113.8
Air pressure (mm / H2O)	2.1
Input current (A)	0.11
Connector	4-pin PWM
Lifespan (h)	80,000
Accessories	Thermal grease (already applied to cooler), mounting kit for Intel® and AMD™, Manual (EN, DE, FR, PL, ES, RU)

Certifications »



Contact »

Service Hotline: +49 40 7367 686 44

Mail: service@bequiet.com