

RJ45/RJ11 Ratchet Crimp Tool

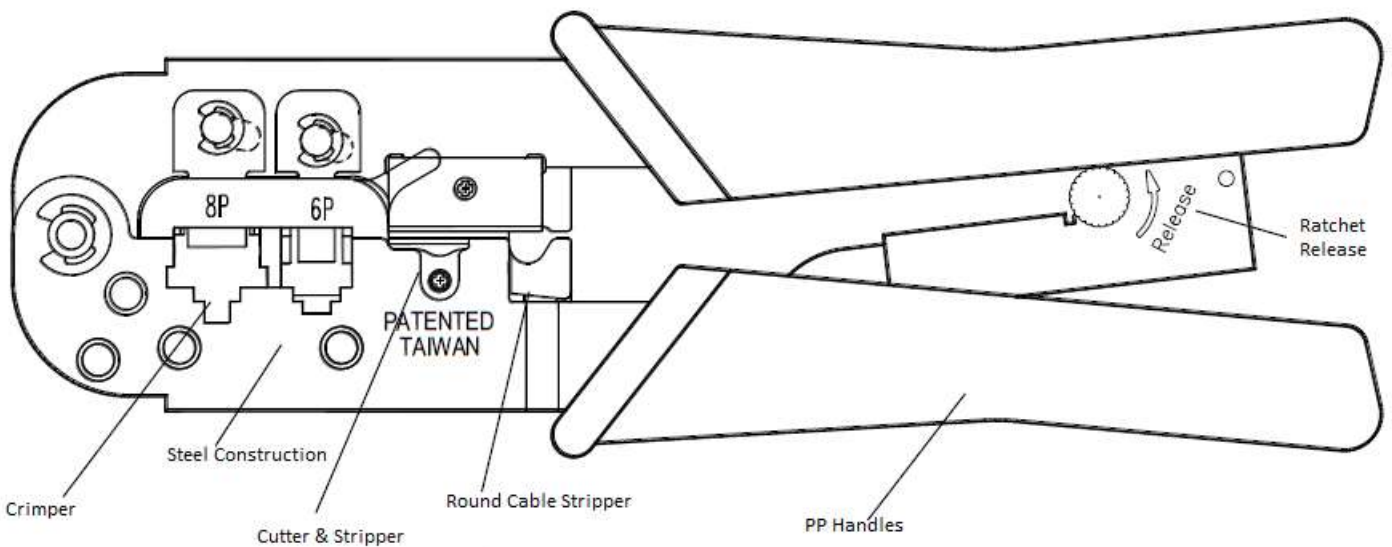


FEATURES

- **Length:** 7 1/2" (190mm±3mm)
- **Weight:** 290g
- Cutting & Stripping Wire by one operation

Material:

- Hardened Low Carbon Steel
- **Frame** – Black Oxide Finish



Ordering Information:

Part No.	Description
87 2808	RJ45/RJ11 Ratchet Crimp Tool

