

REV	DATE	MODIFICATION	DRAWN
	2011/07/08		

SPECIFICATIONS

1. ELECTRICAL:

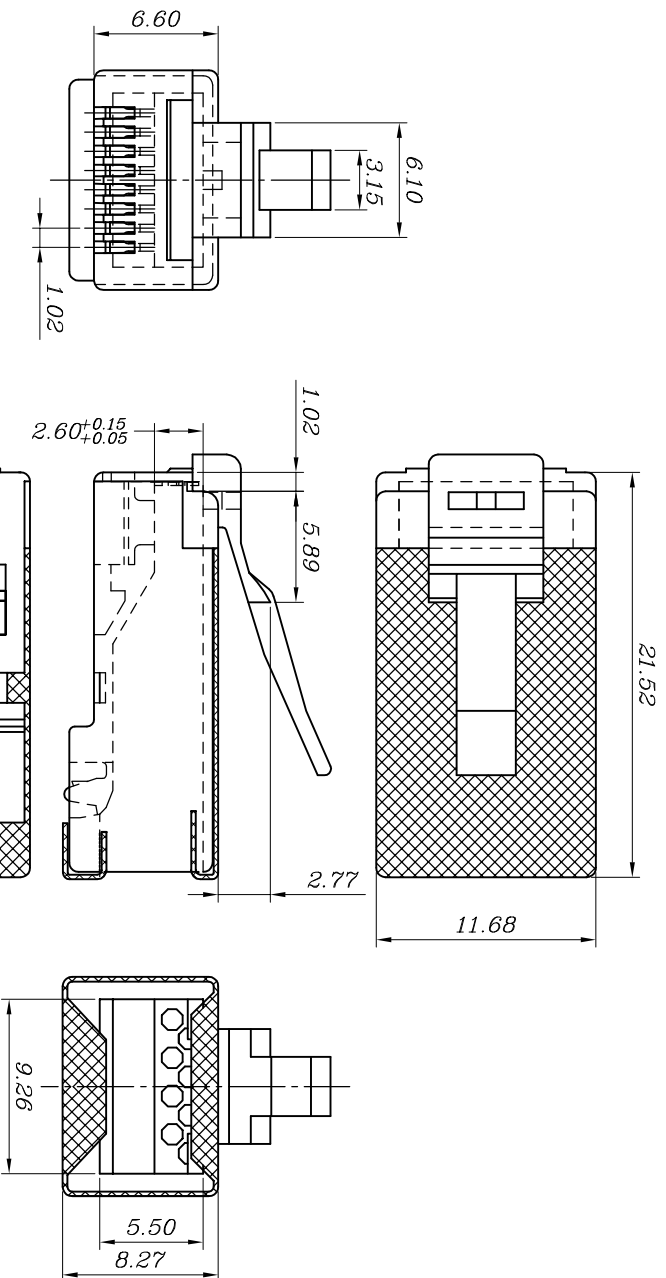
UL APPLICATIONS: 250 VOLTS AC MAX., AT 2 AMPS.
 DIELECTRIC WITHSTANDING VOLTAGE : 1000 VOLTS AC.
 INSULATION RESISTANCE: 100 M Ω .
 TERMINATION: RESISTANCE 20m Ω MAX AFTER ENVIRONMENTAL TESTING.

2. MECHANICAL:

CABLE-TO-PLUG TENSILE STRENGTH : 20POUND MIN.
 DURABILITY : 200 MATING CYCLES.

3. MATERIAL & FINISH:

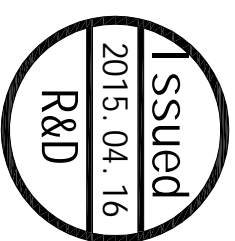
HOUSING: POLYCARBONATE, UL94V-0 OR UL94V-2.
 COLOR : TRANSPARENT OR OTHER COLOR ARE AVAILABLE.
 CONTACT BLADE: COPPER ALLOY.
 CONDUCTOR : STRANDED & SOLID WIRE . 24AWG, 26 AWG.
 GOLD PLATING: 50u"
 4. Operation temperature: -40°C ~ 70°C



ITEM: 22 2098A

BLADE:	Z	ZL
Drawing		
Mark	✓	✓

CABLE TYPE	ROUND	FLAT
Mark	✓	

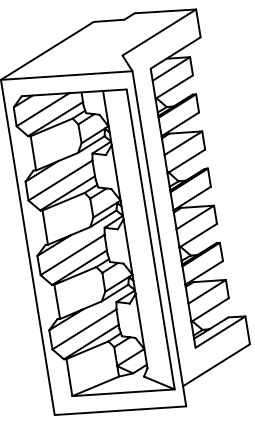
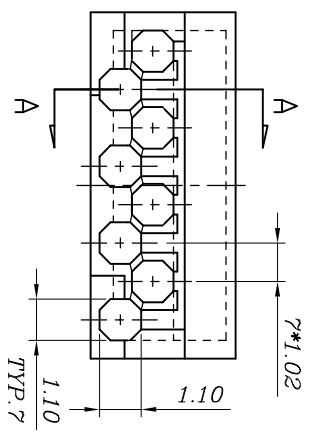
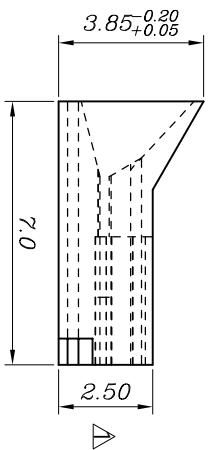
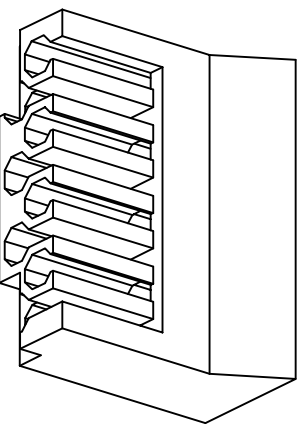
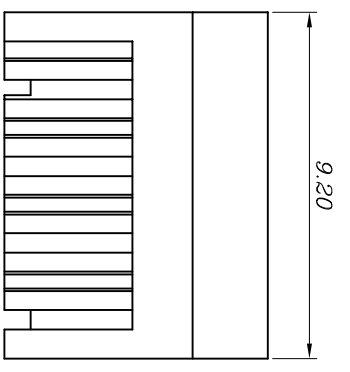
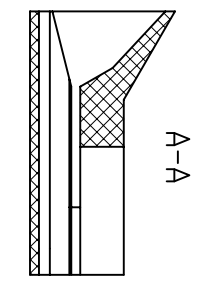


DIMENSION IN mm (Inch)		TOLERANCE UNLESS OTHERWISE SPECIFIED	
.X±0.20	.X°±5°	TITLE	
.XX±0.10	.XX°±2°	22 2098A	
APPROVAL	CHECKED	DRAWN	SCALE
		Cathyl Li	5/2
			PROJ.
			REV
			L

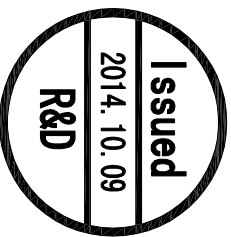
MATERIAL: PC DWG NO: PLUG-054

ST-DR-009A

REV	DATE	MODIFICATION	DRAWN
	2011/10/17		



(It can be used for the wire OD from $\varnothing 0.98$ ~ $\varnothing 1.05$)



DIMENSION IN mm (Inch) TOLERANCE UNLESS OTHERWISE SPECIFIED		MATERIAL	DWG NO
X ± 0.20	.X $\pm 5^\circ$	PC	PLUG INSERT-040
.XX ± 0.10	.XX $\pm 2^\circ$	TITLE	IT INSERT
APPROVAL	CHECKED	DRAWN	SCALE
car ine	Zach	CathyLi	5/1
			PREP
			SHEET
			1/1
			REV
			H

ST-DR-009A