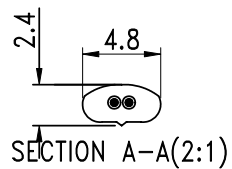
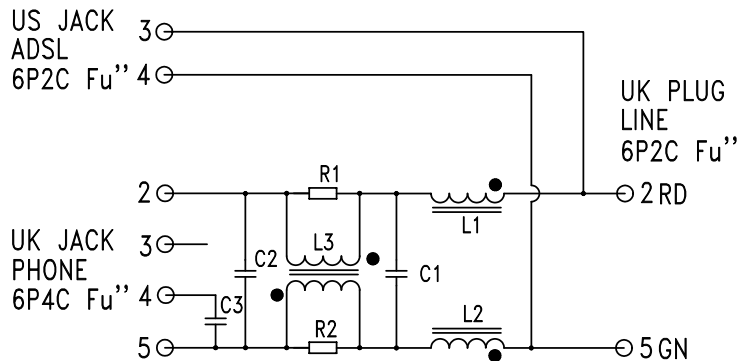
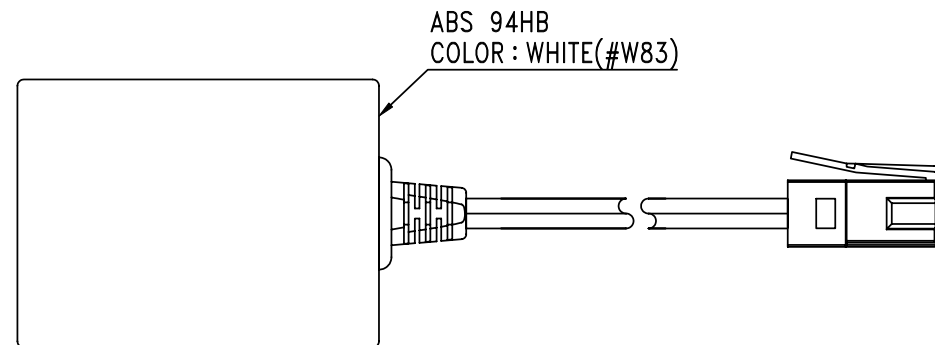
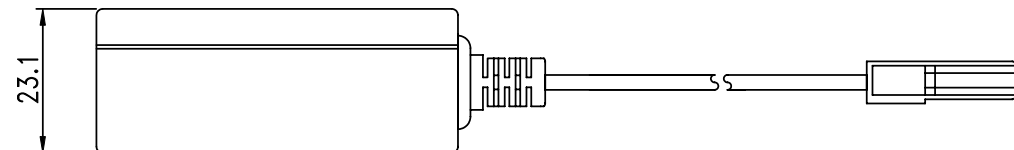
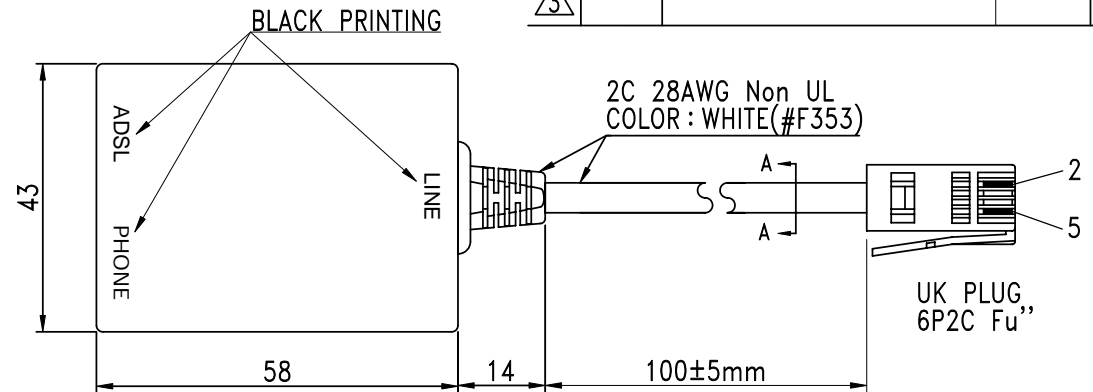
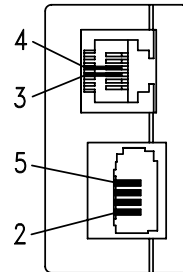


	ISSUE	REVISED	DRAWN	DATE
①				
②				
③				



US JACK  
6P2C Fu''

UK JACK  
6P4C Fu''



6	C3	1.8uF/250V±20%
5	C2	562J/250V
4	C1	393J/250V
3	R1,R2	82ohm±1%
2	L3	2x7.48mH±5%
1	L1,L2	5.0mH±5%
NO.	Reference	Description

P/N:22 2910



DESCRIPTION : UK28SR-GJ-ADSL-UK4

SCALE	N/A	DATE	15.09.04	CHECKED		ISSUE: A	SHEET 1 OF 1	TOLERANCES UNLESS OTHERWISE STATED .X = ± 1 .XX = ± 0.5 .XXX = ± 0.2
SIZE	A4	DRAWN	LIAO	APPROVED		CUSTOMER:	DWG No.	
UNIT	mm	AFFIRM		STANDARDIZE				