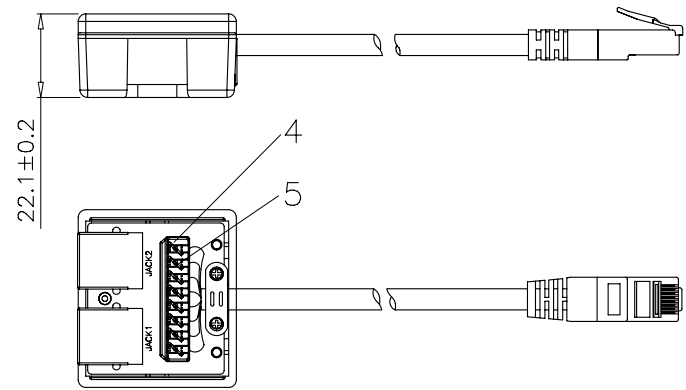
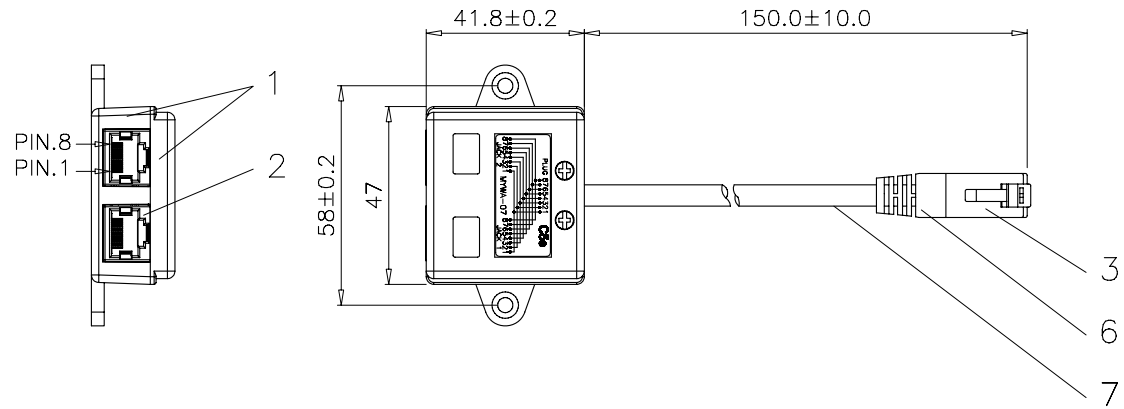
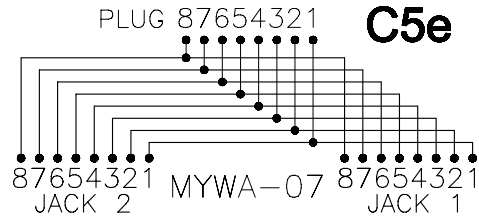


Wiring information



Specification:

Material :

1. Top & Bottom case : ABS, UL94 HB.
2. RJ45 JACK :
 - 2-1 Housing : PBT, UL 94V-0.
 - 2-2 Contact Terminal : Phosphor Bronze.
Finished : Min. 50 micro-inch Gold plated over
50 micro-inch Nickel plated on contact area.
3. RJ45 Plug :
 - 3-1 Housing : Polycarbonate, UL 94V-0, Transparence color.
 - 3-2 Contact Terminal : Phosphor Bronze.
Finished : Min. 50 micro-inch Gold plated over
50 micro-inch Nickel plated on contact area.
4. IDC Housing : Polycarbonate, UL 94V-2.
5. IDC Terminal material & finished :
Phosphor Bronze with 50 micro-inch Tin plated.
6. Assembly Type : Narrow Molded, White PVC.
7. Cable Type : (UTP)Unshielded Twisted Pair, 24 AWG Stranded Conductor.

Performance :

- a. Operation Temperature : -40°C to 80°C.
- b. Insertion Force : 900 gms for 8 contacts.
- c. Retention Strength : 7.7 kgs between Jack and Plug.
- d. Durability :
750 cycles Plug-Jack mating and unmating test, insertion cycles
at 20 cycles/minute max. Contact resistance test per 100 cycles.

	DSGN	Wei	08.JUN.2010	ITEM NO: 22 2125
	CHK	kli	08.JUN.2010	
	UNIT	M/M	APPR	Yty
SCALE	1/4	CAT.5e Modular "Y" Wiring Adapter		
DWG NO: JE314/1	Velocity			