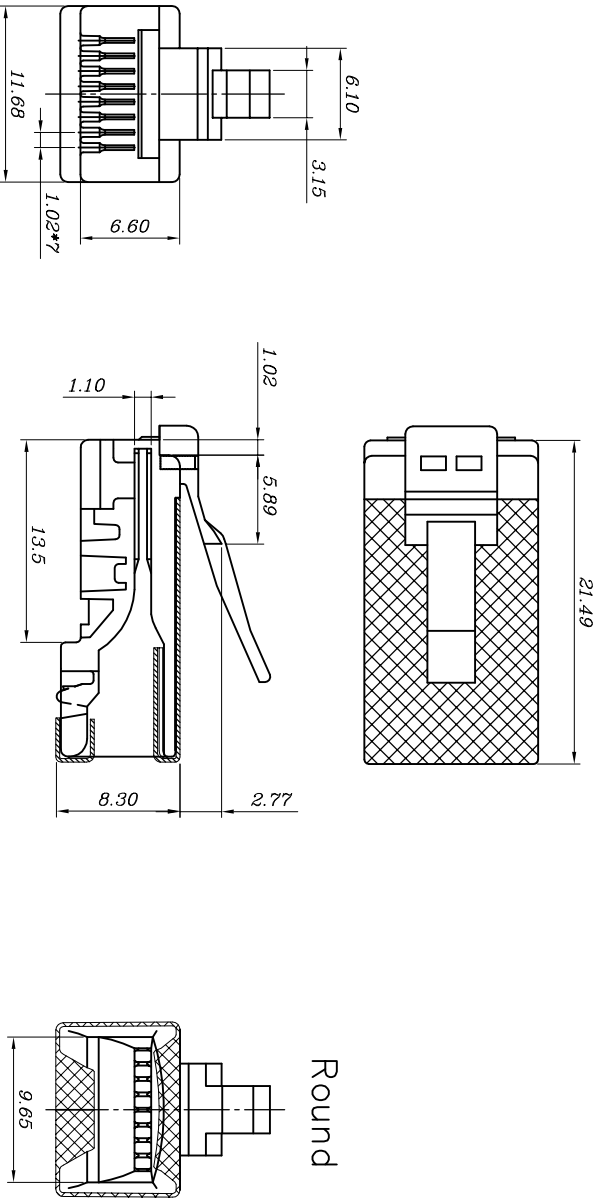


REV	DATE	MODIFICATION	DRAWN
1	2010/03/09		

SPECIFICATIONS

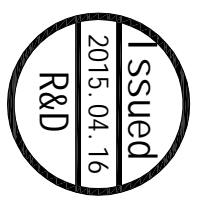
- ELECTRICAL:**
 UL APPLICATIONS: 250 VOLTS AC MAX., AT 2 AMPS.
 DIELECTRIC WITHSTANDING VOLTAGE: 1000 VOLTS AC.
 INSULATION RESISTANCE: 100 M Ω.
 TERMINATION: RESISTANCE 20m Ω MAX AFTER ENVIRONMENTAL TESTING.
- MECHANICAL:**
 CABLE-TO-PLUG TENSILE STRENGTH: 20POUND MIN.
 DURABILITY: 200 MATING CYCLES.
- MATERIAL & FINISH:**
 HOUSING: POLYCARBONATE, UL94V-0 OR UL94V-2.
 COLOR: TRANSPARENT OR OTHER COLOR ARE AVAILABLE.
 CONTACT BLADE: COPPER ALLOY.
 CONDUCTOR: ONLY FOR STRANDED CABLE: 24AWG, 26 AWG.
 (It can be used for the wire OD from 0.96-01.02)
 GOLD PLATING: 50μ"
 SHELDED SHELL: COPPER ALLOY.
 4.Operation temperature: -40°C ~ 70°C

Round



ITEM: 22 2102

BLADE:	EB
Drawing	
Mark	✓
CABLE TYPE	ROUND
Mark	✓
	FLAT



DIMENSION IN mm (Inch)		MATERIAL		DWG NO.	
TOLERANCE UNLESS OTHERWISE SPECIFIED		PC		PLUG-098	
.X±0.20	.X°±5°	TITLE		22 2102	
.XX±0.10	.XX°±2°	DRAWN		SCALE	
APPROVAL	CHECKED	cathylli		2/1	
		PROJ.		SHEET	
		ST-DR-009A		1/1	
				REV	
				E	

