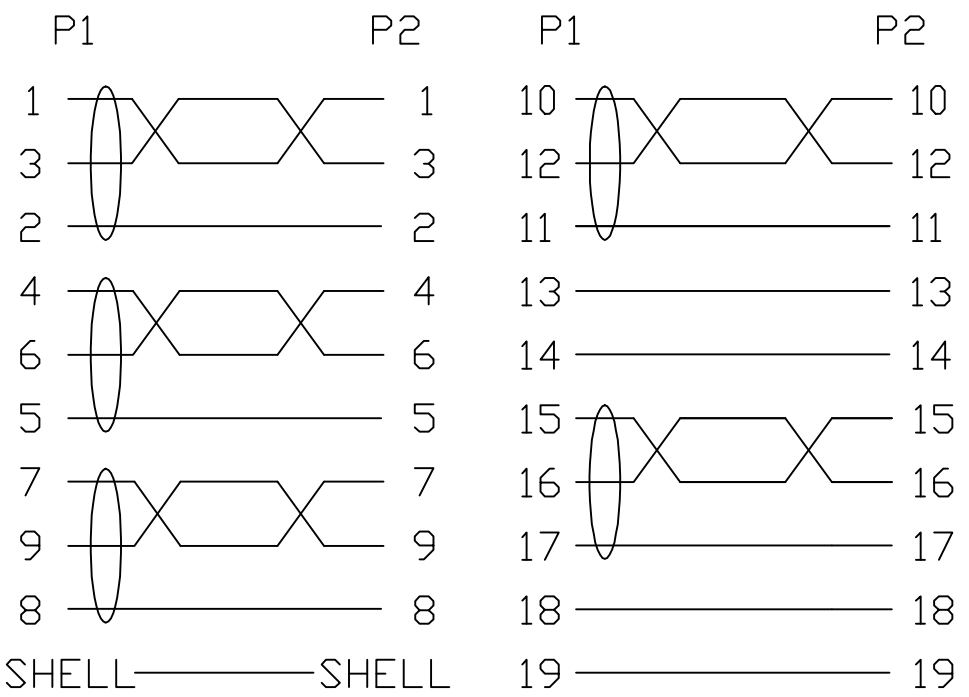


PIN OUT



NOTES:  
 1:100% short,open and miss wire test.  
 2:Insulation resistance:DC300V 10MΩ(Min)  
 Conduction resistance 5Ω(Max)  
 3:HD-TV:1080P

| ⑤   | OUTER MOLDED | WHITE 45P PVC  | 0.078 | KG   |
|-----|--------------|--|-------|------|
| ④   | INNER MOLDED | LDPE   | 0.024 | KG   |
| ③   | CONNECTOR    | DISPLAYPORT MALE WITH PCB BOARD,THE PIN GOLD PLATED,THE SHELL FOR GOLD PLATING | 1     | PCS  |
| ②   | CONNECTOR    | HDMI A TYPE MALE,THE PIN GOLD PLATED,THE SHELL FOR GOLD PLATING                | 1     | PCS  |
| ①   | CABLE        | (1P*30#+D+AL+MYLAR)*5C+5C*30#+F+ADB JACKET:BLACK PVC,OD:6.0±0.2MM              | 1000  | MM   |
| NO. | MATERIAL     | DESCRIPTION  | QTY.  | UNIT |

|             |                       |   |  |
|-------------|-----------------------|---|--|
| Ltemref     | Quantity              | Title/Name,designation,material,dimension etc | Article No./Reference  |
| Designed by | Checked by            | Approved by - date<br>OCT 23.2014             | File name<br>HDMI TO DP 1M<br>Date<br>OCT 23.2014<br>Scale<br>FREE |
| ANGLE:      | HDMI/AM-DP/M BLACK,1M |   |  |
| UNIT:MM     | 24 0215               | Edition<br>1                                  | Sheet<br>1/1   |