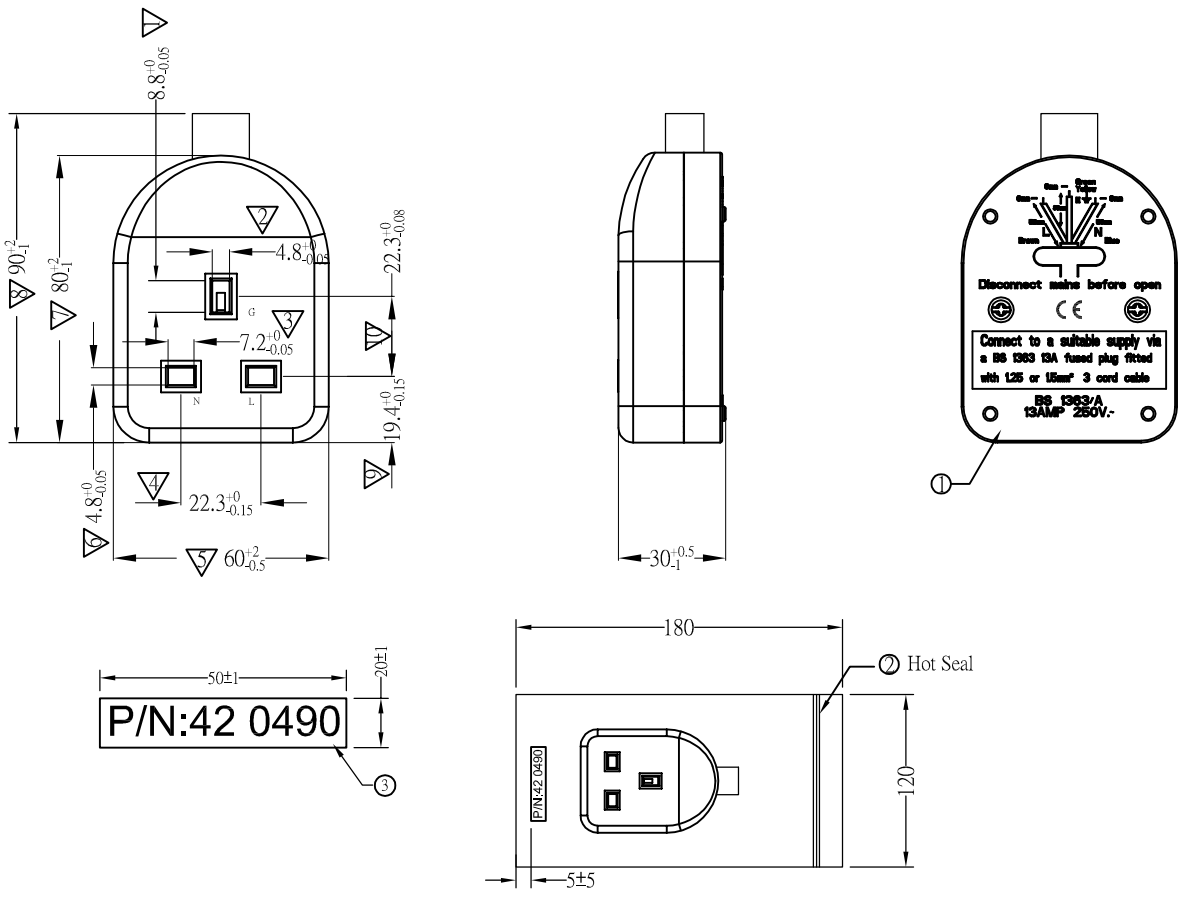


8	7	6	5	4	3	2	1	
				REV.	DESCRIPTION	DESIGN	APPROVAL	DATE
				X	NEW	Betty	B.G YANG	2014.10.23

Technical requirement 技术参数：

1. Electrical Characteristics Test 电气性能检验
 1.1 Products 100% for electrical test. 成品100%电性测试。
 1.2 Insulation resistance: Less than 15MΩ of 500V DC /1S. 绝缘阻抗: 大于或等于15MΩ 500V DC/1S
 1.3 Dielectric strength 耐电压
 1.3.1 Between two conductors 2500_0^{+200} V AC for 1.0s Trip-current 1.0mA max. 导体与导体之间 2500_0^{+200} V AC /1秒, 漏电流1.0mA(max)。
 1.3.2 Between conductor and body 2500_0^{+200} V AC for 1.0s Trip-current 1.0mA max. 导体与本体之间 2500_0^{+200} V AC /1秒, 漏电流1.0mA(max)。
 2. Finished product conditions 成品状态
 2.1 The attachment plug front show the test mark of "T". 插头主视面须有测试标志"T"。
 2.2 The dimension with "▽" must be control and inspected importantly. 带"▽"尺寸需重点管控和检验。
 3.3 material and product comply with Doc No."QW-Q-043" 《material-and product-of restricted substance control specification. 物料及成品必须符合QW-Q-043 《材料与成品限用物质管理规范》。
 4. The standards for the products: 产品标准：
 4.1 The socket-outlet shall comply with BS 1363-1:1995 and BS16363-2:1995. 插板须符合BS 1363-1:1995和BS16363-2:1995..



X.±	X.°±
.X±	.X°±
.XX±	.XX°±
.XXX±	.XXX°±

THESE DRAWINGS AND SPECIFICATIONS ARE THE PROPERTY OF ASAP TECHNOLOGY(JIANGXI)CO., LIMITED AND SHALL NOT BE REPRODUCED, COPIED OR CUED IN ANY MANNER WITHOUT THE PRIOR WRITTEN CONSENT OF ASAP TECHNOLOGY(JIANGXI)CO., LIMITED.

Cablenet P/N:42 0490			
PART NO: ACRDN14100075		TITLE: UK Socket-outlet With Screws	
APPD: Baogen Yang		DWG NO: ACRDN14100075	
CHKD: Guangren Ouyang			SCALE
DR: Betty Zou			SHEET
		NONE	REV.
		1/1	X

③	Label	Type L 50 x W20 Label	pcs	1
②	PE BAG	Type L 180 x W120 PE bag	pcs	1
①	Socket assembly	UK 1 gang socket assembly	pcs	1
ITEM	NAME	DESCRIPTION	UNIT	Q'TY

E
D
C
B
A

E
D
C
B
A