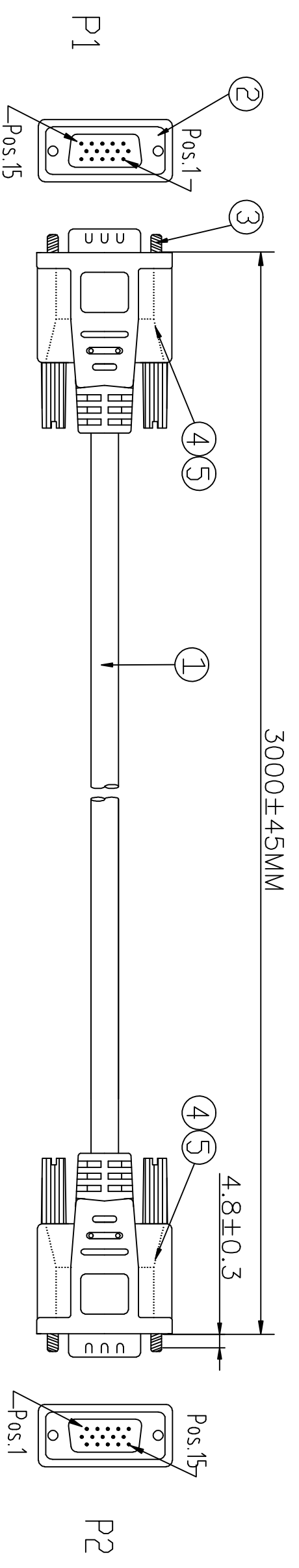


RevNo	Revision note	Date	Signature	Checked

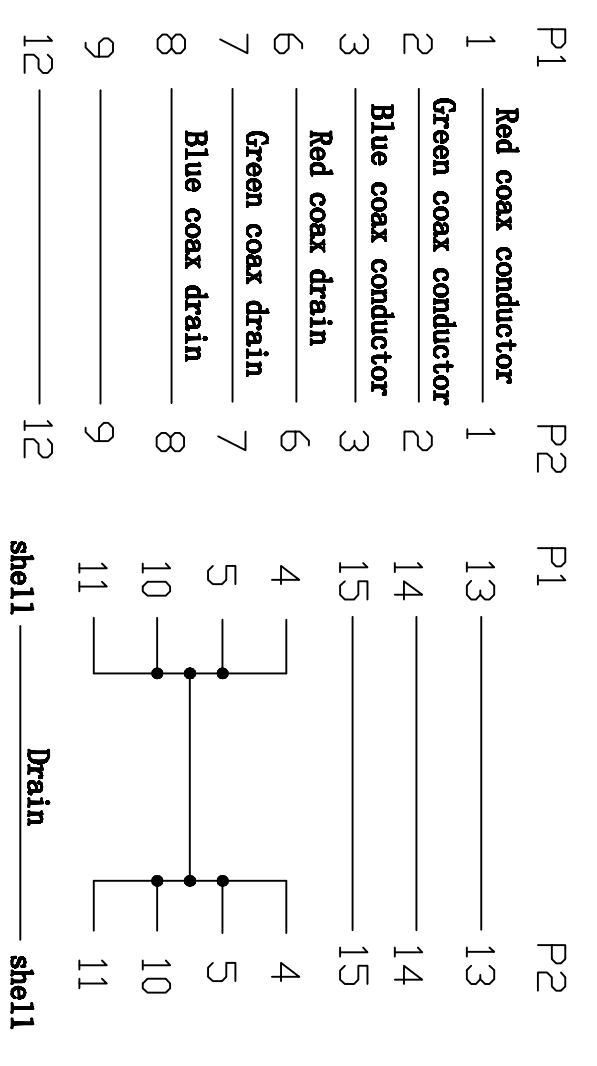


REQUIREMENTS:

1:100% short,open and miss wire test.
 2:Insulation resistance:DC300V 10MΩ(Min)
 Conduction resistance 5Ω(Max)

⑥	OUTER MOLDED	BLACK 45P PVC	0.038	KG
⑤	INTER MOLDED	LDPE	0.021	KG
④	SCREW	#4-40UNC 2.3*4.5MM,BLACK PVC	4	PCS
③	CONNECTOR	HDB 15PIN/MALE BLUE INSULATOR,NICKEL PLATED SHELL, GOLD PLATED PIN	2	PCS
①	CABLE	(1C*28#+D+AL+PVC)*3C+6C*28#+AL+D+B JACKET:BLACK PVC OD:8.0±0.15 MARKING:AWM STYLE 2919 80°C 30V LOW VOLTAGE COMPUTER CABLE ROHS COMPLIANT	3	M
NO.	MATERIAL DESCRIPTION		QTY.	UNIT

PIN OUT



L temref	Quantity	Title/Name,designation,material,dimension etc	Article No./Reference
Designed by ACHY		Checked by HELEN	File name HDB15PIN/M/M,LSM
		Approved by - date MARCH 6,2012	Date MARCH 6,2012

32 1030	32 1030	