



PURE BASE 600

EXCEPTIONALLY SILENT AND FUNCTIONAL

IDEAL APPLICATIONS

Air-cooled and water-cooled systems
Gaming and multimedia PCs
Quiet home theater PCs

HIGHLIGHTS

Highly versatile construction
Water cooling optimized with adjustable top cover vent
Two pre-installed Pure Wings 2 fans
Completely sound-insulated on top, side and front

Exceptionally Silent and Functional

Pure Base 600 is truly multi-talented, offering a great deal of functionality and features for an attractive price.

Highlights »

- Highly versatile construction with repositionable HDD slots and a removable ODD cage
- Optimized for liquid cooling with three specially designed areas of up to 360mm to add water cooling radiators
- Adjustable top cover vent that can be closed for absolute silence, partially open for more air exhaust or fully open, with the added possibility to mount a radiator
- Whisper-quiet operation thanks to two pre-installed Pure Wings 2 fans featuring nine airflow-optimized fan blades that reduce turbulence while increasing the air pressure
- Completely sound insulated with integrated dampening material on top, side and front
- Professional cable management is adaptable with extensive cable routing options
- 3-year manufacturer's warranty
- Product conception, design and quality control in Germany

Pure Base 600 »

Smart usability features and whisper-quiet operation enable you to realize almost any system configuration you desire for your ATX or micro ATX PC. It is the perfect base for your system.

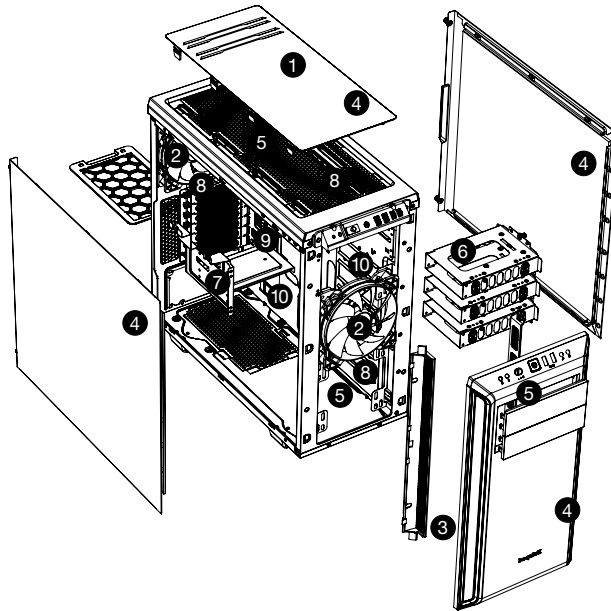
+ NOISE INSULATION

+ AIRFLOW CONTROL

PURE BASE 600

EXCEPTIONALLY SILENT AND FUNCTIONAL

Features »



- ① Adjustable top cover vent can be closed for absolute silence, partly opened for more air exhaust or fully open, with the added possibility of mounting a water cooling radiator
- ② One Pure Wings 2 140mm front intake fan and one Pure Wings 2 120mm rear exhaust fan for outstanding cooling performance
- ③ Airflow follows a clear path that quietly and efficiently lowers the system's temperatures. All exhaust air is directed to the rear, to further minimize any noise experienced
- ④ Sound-insulated side and front panels as well as top cover
- ⑤ Design permits the installation of up to four additional cooling fans. Integrated 3-step fan controller for up to three fans
- ⑥ Truly versatile, thanks to repositionable and removable HDD slots
- ⑦ Removable ODD tray for maximum flexibility of water cooling and drives
- ⑧ Chassis is optimized for liquid-cooling, with three specially designed areas to add radiators
- ⑨ Motherboard tray features large cutouts for the CPU cooler back plate, supporting all present and future CPU socket designs
- ⑩ Professional cable management is optimized by extensive cable routing options

Optional installation of up to two 140mm or three 120mm fans

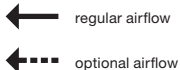
Pre-installed Pure Wings 2 | 120mm fan

Pre-installed Pure Wings 2 | 140mm fan

Optional installation of one additional 140mm fan, or up to three 120mm fans (if pre-installed front fan is removed)

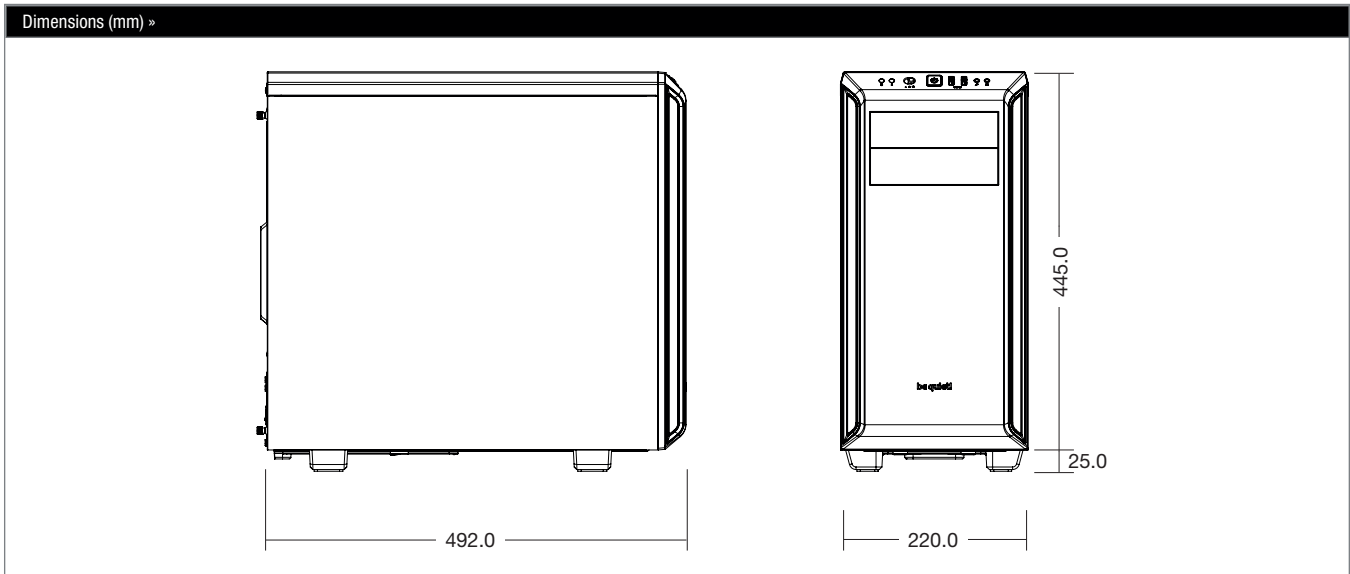
PSU exhaust circulation

PSU



PURE BASE 600

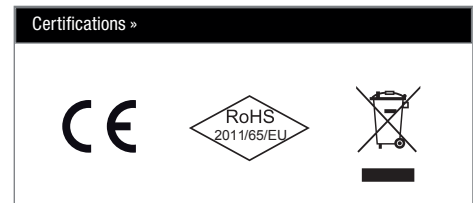
EXCEPTIONALLY SILENT AND FUNCTIONAL



General Data Case »	
Motherboard compatibility	ATX, M-ATX, Mini-ITX
Form factor PSU	ATX PS/2
Case size (L x W x H in mm)	492 x 220 x 470
Material	0.8 - 1mm steel, ABS plastic
Weight incl. package / without package (kg)	8.74 / 7.44
I/O Panel	2x USB 3.0, HD Audio (mic + headphone jacks)
Expansion slots (pcs.)	7
Drive Bay Capacity »	
5.25	2
3.5	3 (removable)
2.5	2 on motherboard tray 6 inside the HDD slots (removable)
Cooling System »	
Pre-installed Pure Wings 2 fans (mm / rpm)	Front: 1x 140 / 900 Rear: 1x 120 / 1,200
Optional fans (mm)	Top: 2x 140 / 3x 120 Front: 140 / up to 3x 120 (w/o pre-installed 140mm fan)*
Optional liquid cooling system (radiotor in mm)	Top: 120, 240, 360* Front: 120, 140, 240, 280*, 360 (w/o 5.25" cage) Rear: 120
Cooling solutions	Air channels (front) Adjustable and removeable top cover Manual 3-step fan controller (3x 3-pin)
Maximum Dimensions (mm) »	
CPU cooler	up to 165
PSU	210
Graphics card (standard)	280
Graphics card (w/o HDD slots)	425
Insulation and Damping »	
Sound insulation mats (top, front, side)	✓
Anti-vibration decoupled HDD / PSU	✓

*without 5.25" bay

Color Options »		
Pure Base 600	Art. no	EAN code
Black	BG021	4260052185414
Silver	BG022	4260052185421



Contact »
Service Hotline: +49 40 7367 686 44 (Mondays to Fridays from 9:00am to 5:30pm CET)
Mail: service@bequiet.com