

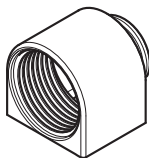
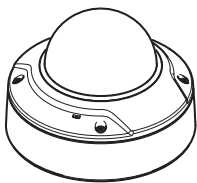
# INSTALLATION GUIDE

**AXIS ACI Conduit Adapter 1/2"-3/4"**

**AXIS ACI Conduit Adapter 3/4"**



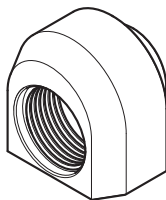
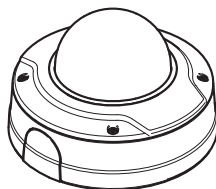
AXIS Q35



1x

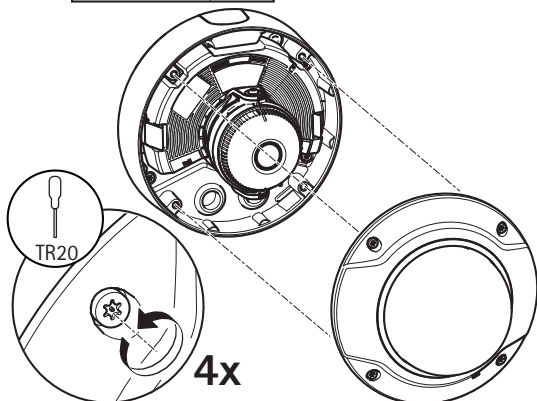
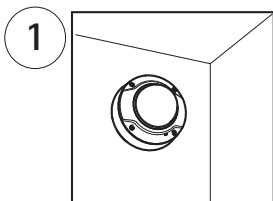
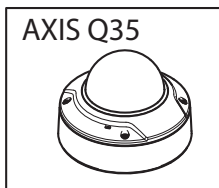


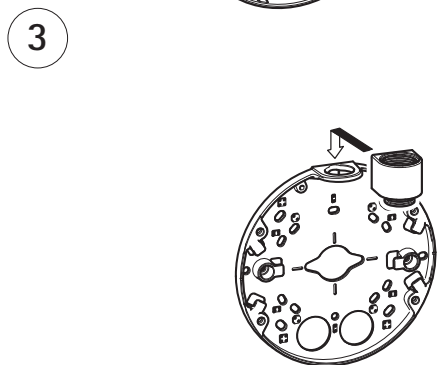
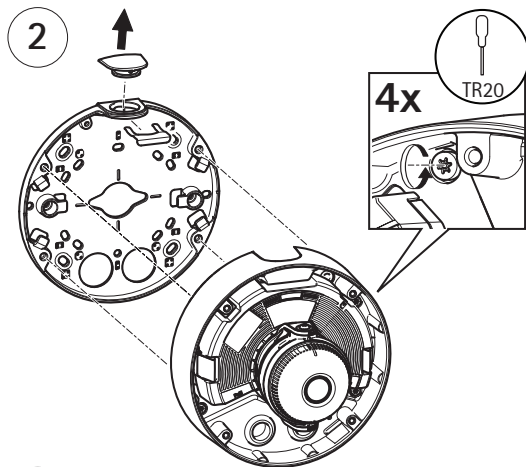
AXIS Q35-E



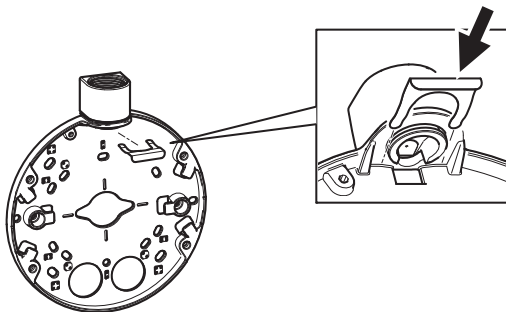
1x



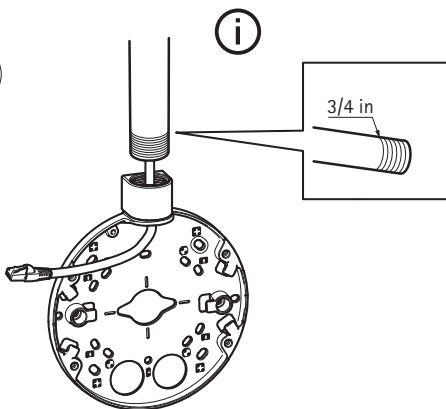




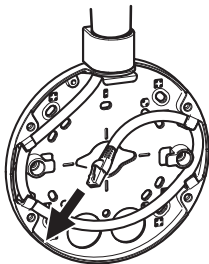
4



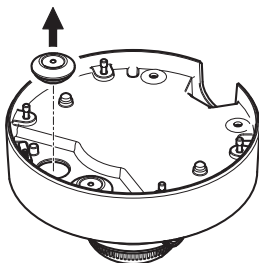
5



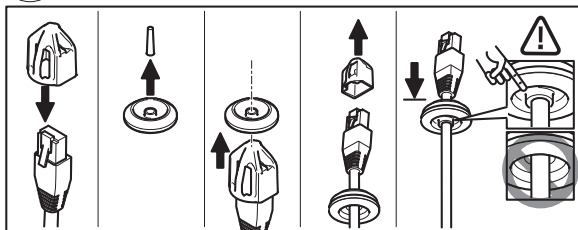
6



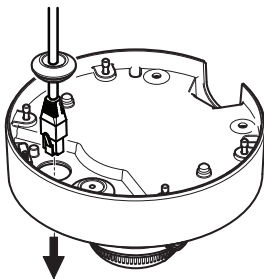
7



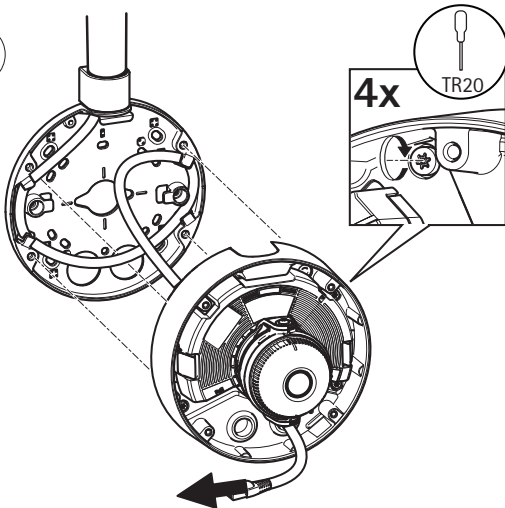
8



9

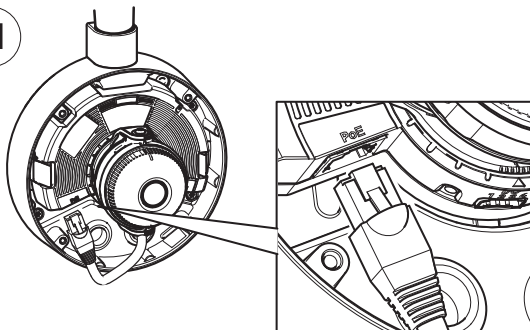


10

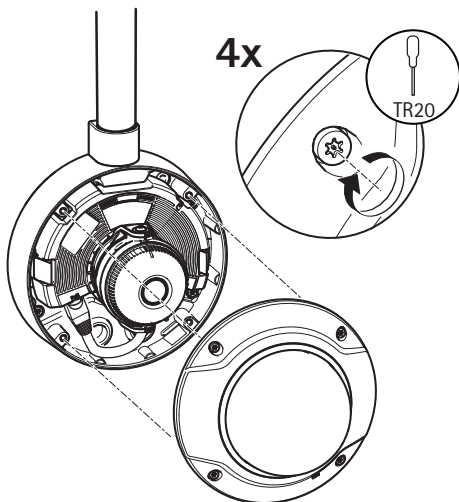




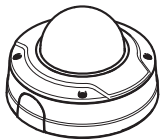
11



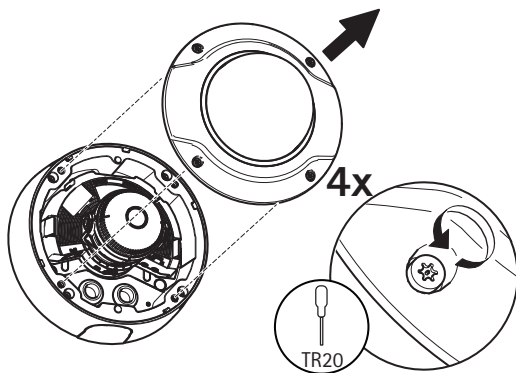
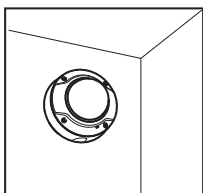
12



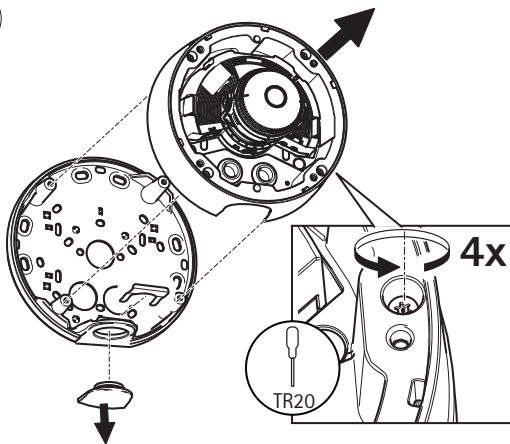
AXIS Q35-E



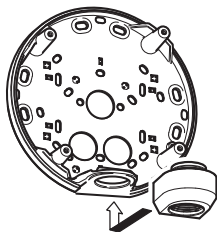
1



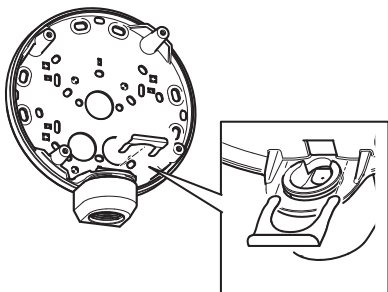
2



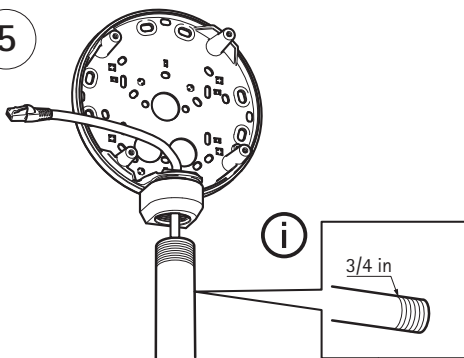
3



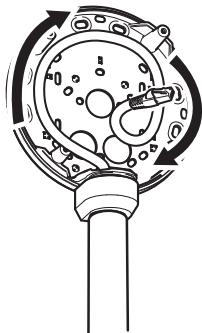
4



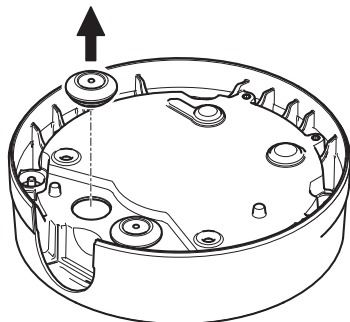
5



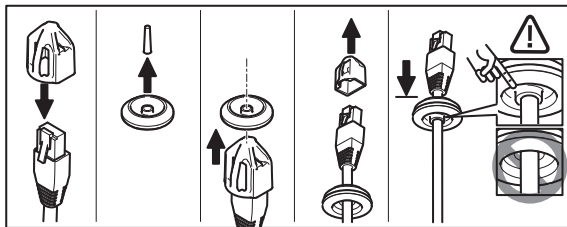
6



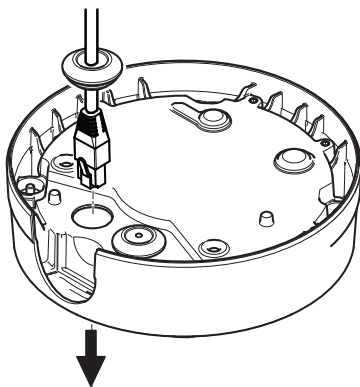
7



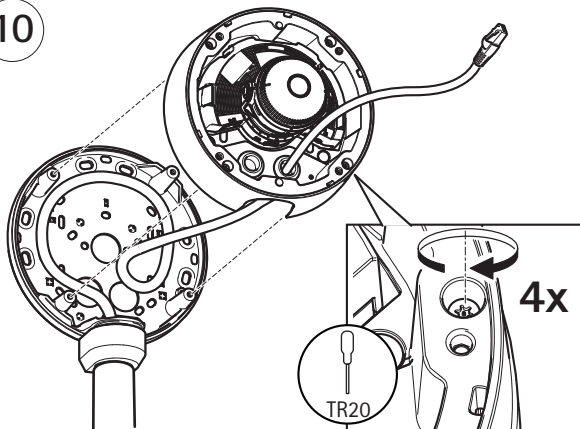
8



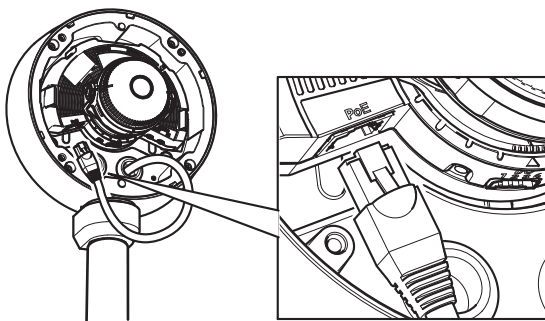
9



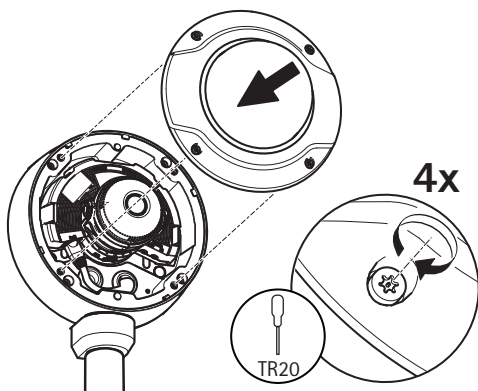
10



11



12







Installation Guide

AXIS ACI Conduit Adapter

© Axis Communications AB, 2015

Ver.1.0

Printed: April 2015

Part No. 60147