

STAN

TIMELESS COAT STAND

CLOSE ²
CLOTHES

Simple and basic, the STAN coat stand is the accessory that will enhance your workspaces



8 large pegs for a perfect respect of the clothes + 2 hooks



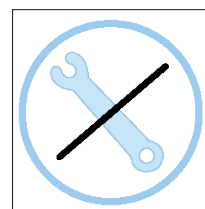
Practical umbrella stand (6) + 4 hooks



Weighted base for extra stability (5kg) + water retainer



Quick and easy assembly system without tools (5min)



Compact packaging to reduce the environmental impact



The Stan coat stand is the accessory to buy. With a refined style, this coat rack consists of a head made up of 8 pegs, an umbrella stand and a weighted metal base equipped with a water retainer.



Combining harmony and elegance, the Stan coat stand will fit perfectly into your work and reception areas...

STAN

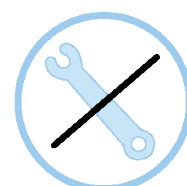
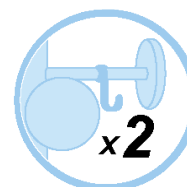
TIMELESS COAT STAND

CLOSE 2 CLOTHES

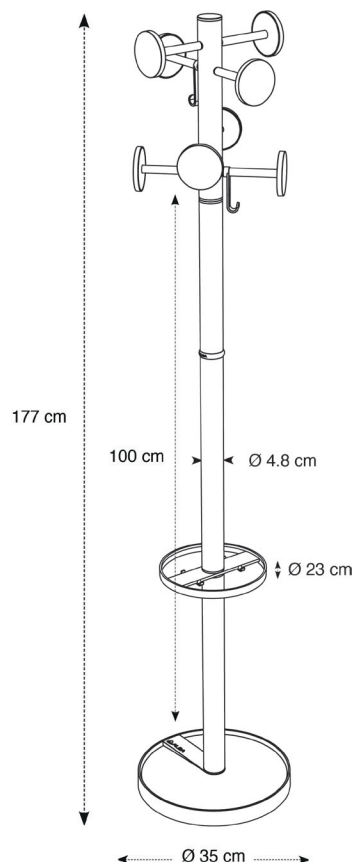
Simple and basic, the STAN coat stand is the accessory that will enhance your workspaces

PRODUCT FEATURES	
Reference	PMSTAN3 N
EAN	3129710011407
Materials	Drum : Epoxy painted steel
	Pegs : ABS
	Base cover : ABS
Color	Black
Product dimensions	Height : 175 cm
	Drum : Ø 4.8 cm
	Base : Ø 35.5 cm
	Weight : 7.5 kg
Number of pegs	8 + 2 hooks
Capacity of umbrellas	6 + 4 hooks
Base	Weighted - 5 kg
Estimated assembly time	5 minutes - Without tools or screws
Origin	French design and development - Manufacturing in PRC
Guarantee	2 years

PACKAGING DIMENSIONS	
* Sales unit (x1SU) Box	Dim. : L. 60 cm x W. 40 cm x H. 11.7 cm
	Weight : 8.90 kg
* Box master (x1SU)	Dim. : L. 60 cm x W. 40 cm x H. 11.7 cm
	Weight : 8.90 kg



EXISTING DESIGN :



Quand le beau rejoint l'utile